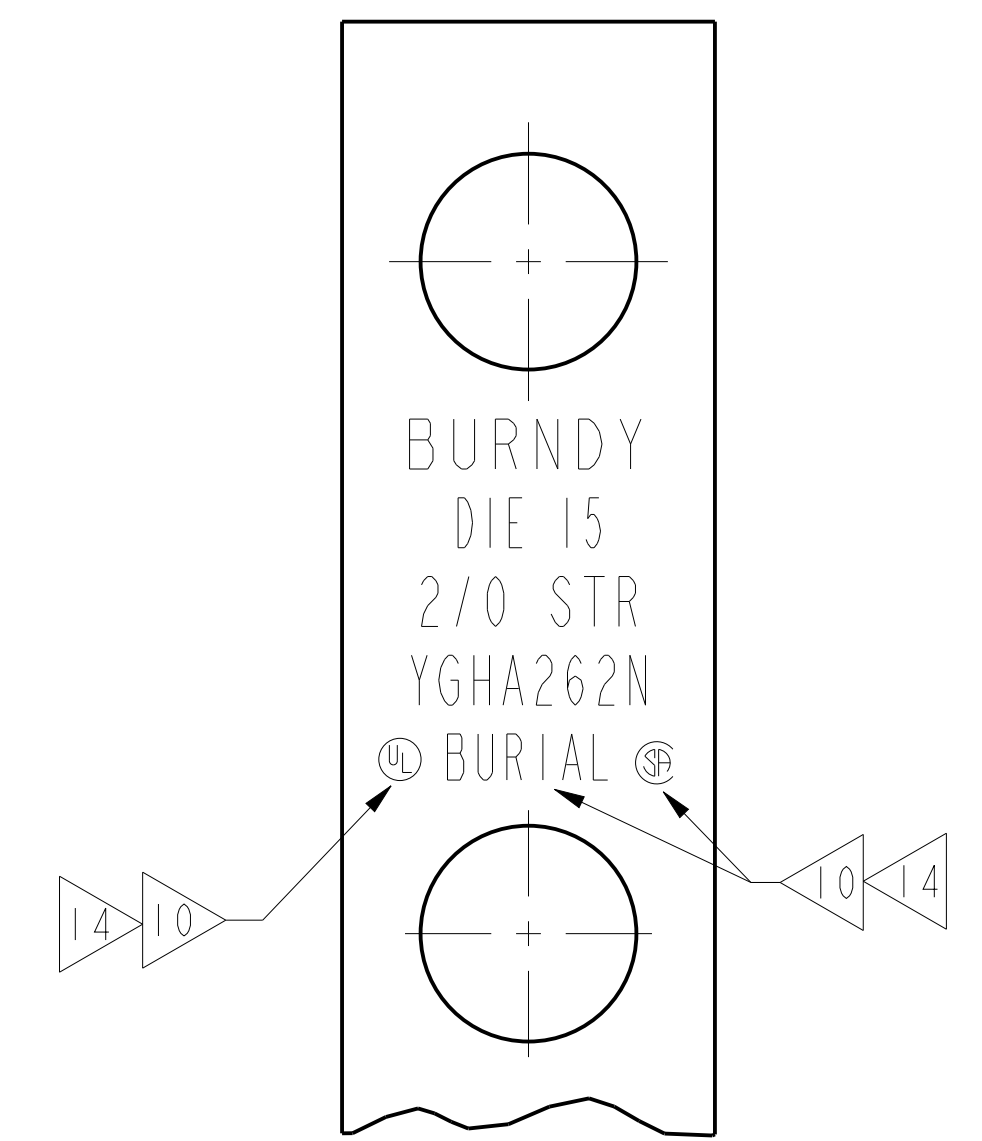


| CATALOG NUMBER | COPPER CONDUCTOR   |            | DIMENSIONS IN/mm |              |               |              |             | INSTALLATION DATA |                                      |               |
|----------------|--|------------|------------------|--------------|---------------|--------------|-------------|-------------------|--------------------------------------|---------------|
|                | SIZE   | STR.       | B MIN.           | C            | L             | O.D.         | T           | DIE INDEX NO.     | HYPRESS™ Y35/Y39/Y45/Y46/Y750 Y60BHU | NO. OF CRIMPS |
| YGHA2C2N       | #2 (.292 DIA.)<br>[35mm <sup>2</sup> (7.6mm DIA.)]   | 7          | .75<br>[19]      | .97<br>[25]  | 4.21<br>[107] | .50<br>[13]  | .26<br>[7]  | 11                | UICRT                                | 1             |
| YGHA252N       | 1/0 (.372 DIA.)<br>[50mm <sup>2</sup> (9.4mm DIA.)]  | 7, 19      | .83<br>[21]      | .91<br>[23]  | 4.60<br>[117] | .63<br>[16]  | .19<br>[5]  | 14                | U27RT                                | 1             |
| YGHA262N       | 2/0 (.420 DIA.)<br>[70mm <sup>2</sup> (10.9mm DIA.)]   | 7, 19, 37  | .83<br>[21]      | .97<br>[25]  | 4.38<br>[111] | .71<br>[18]  | .26<br>[7]  | 15                | U28RT                                | 1             |
| YGHA272N       | 3/0 (.470 DIA.)<br>[70mm <sup>2</sup> (11.9mm DIA.)]   | 7, 19      | 1.18<br>[30]     | 1.08<br>[27] | 4.94<br>[125] | .79<br>[20]  | .29<br>[7]  | 16                | U29RT                                | 2             |
| 9 YGHA282N     | 4/0 (.528 DIA.)  | 7, 12, 19  | 1.18<br>[30]     | 1.22<br>[31] | 4.94<br>[125] | .89<br>[23]  | .30<br>[8]  | 17                | U30RT                                | 2             |
| 9 YGHA282NNK   | [95mm <sup>2</sup> (12.5mm DIA.)]  |            |                  |              |               |              |             |                   |                                      |               |
| YGHA292N       | 250 kcmil (.575 DIA.)<br>[120mm <sup>2</sup> (14.4mm DIA.)]  | 7, 19, 37  | 1.18<br>[30]     | 1.28<br>[32] | 4.94<br>[125] | .95<br>[24]  | .34<br>[9]  | 18                | U31RT                                | 2             |
| YGHA302N       | 300 kcmil (.710 DIA.)<br>[150mm <sup>2</sup> (18.0mm DIA.)]  | 12, 19, 37 | 1.18<br>[30]     | 1.42<br>[46] | 5.00<br>[127] | 1.05<br>[27] | .39<br>[10] | 19                | U32RT                                | 2             |
| YGHA312N       | 350 kcmil (.750 DIA.)<br>[185mm <sup>2</sup> (17.8mm DIA.)]  | 12, 19, 37 | 1.18<br>[30]     | 1.62<br>[41] | 5.00<br>[127] | 1.17<br>[30] | .43<br>[11] | 20                | U34RT                                | 2             |
| YGHA322N       | 400 kcmil (.728 DIA.)<br>-----   | 19, 37     | 1.41<br>[36]     | 1.67<br>[42] | 5.30<br>[141] | 1.24<br>[31] | .48<br>[12] | 209               | U209                                 | 3             |
| YGHA342N       | 500 kcmil (.813 DIA.)<br>[240mm <sup>2</sup> (20.4mm DIA.)]  | 19, 37     | 1.48<br>[38]     | 1.72<br>[44] | 5.42<br>[138] | 1.24<br>[32] | .40<br>[10] | 22                | U36RT                                | 3             |
| YGHA362N       | 600 kcmil (.893 DIA.)<br>[300mm <sup>2</sup> (22.7mm DIA.)]<br>7/8 (19 NO.5) STRANDED<br>COPPER WELD (.910 DIA.) | 37, 61, 91 | 1.38<br>[35]     | 2.10<br>[53] | 5.48<br>[139] | 1.55<br>[39] | .58<br>[15] | 576               | L576                                 | 1             |
| YGHA392N       | 750 kcmil (.998 DIA.)<br>-----   | 37, 61     | 3.03<br>[77]     | 2.31<br>[59] | 7.25<br>[184] | 1.70<br>[43] | .64<br>[16] | 627               | L627                                 | 2             |

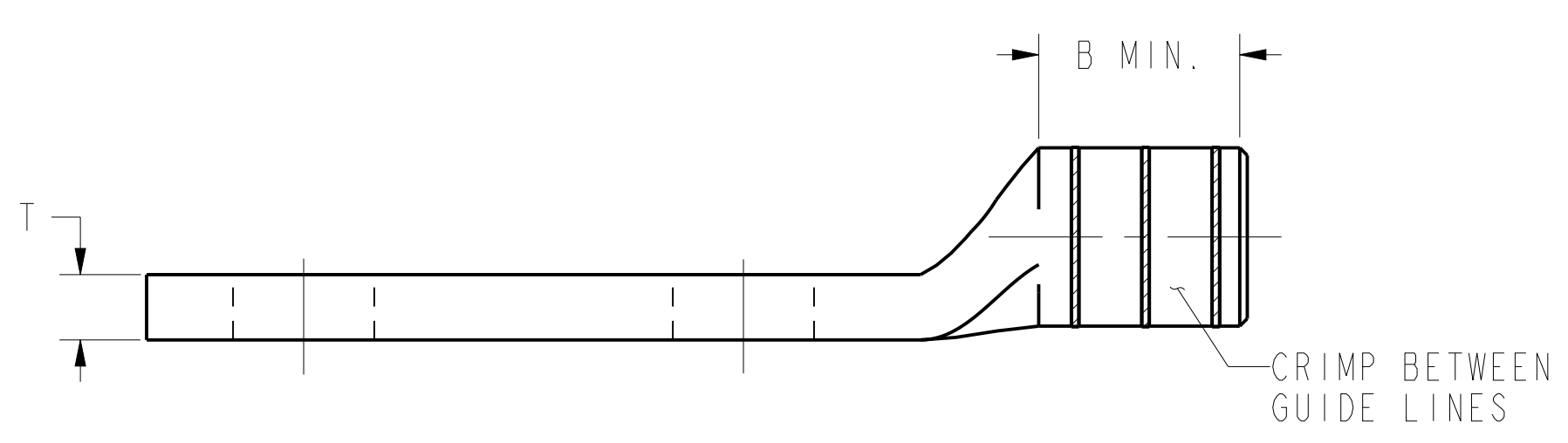
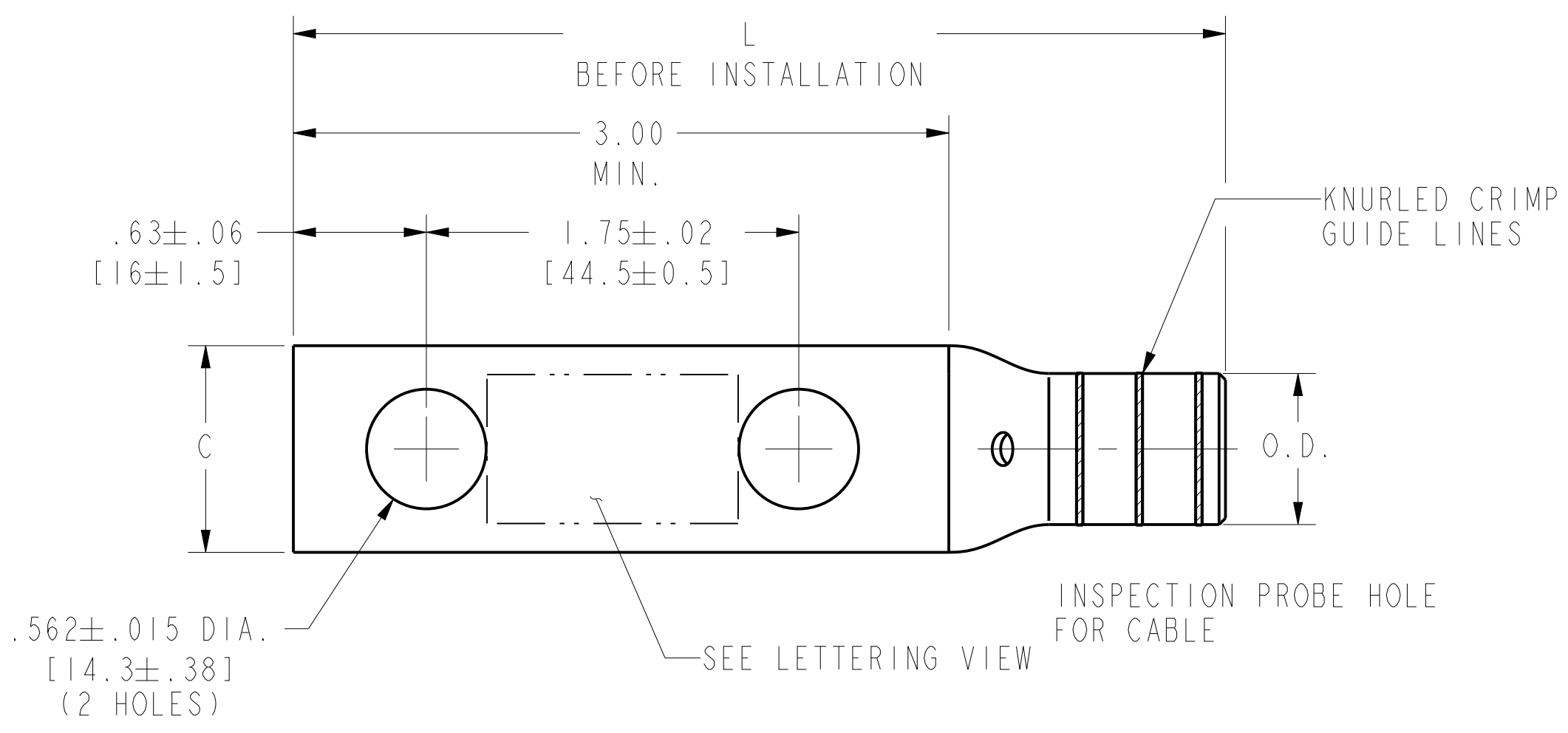
| CATALOG NO.                  | TOLERANCE      |                |
|------------------------------|----------------|----------------|
|                              | C              | L              |
| YGHA2C2N                     | ±.03<br>[±.8]  | ±.09<br>[±2.3] |
| YGHA252N<br>THRU<br>YGHA392N | ±.08<br>[±2.0] | ±.12<br>[±3.0] |

| REV | DATE                   | DESCRIPTION           | ECO   | BY | CHK. |
|-----|------------------------|-----------------------|-------|----|------|
| H   | 01/05/2016 00:00:00 AM | UPDATED AS PER MARKUP | 42526 | RW | MB   |



TYPICAL LETTERING

- NOTES:
- MATERIAL: COPPER
  - BARREL IS PREFILLED WITH PENETROX™ "E" AND INDIVIDUALLY SEALED.
  - WHERE A "U" OR "PU" IS RECOMMENDED WITH THE Y45 HYPRESS™, A PT6515 ADAPTER MUST BE USED.
  - WHERE A "U" OR "PU" IS RECOMMENDED WITH THE Y46 HYPRESS™, A PUADP-1 ADAPTER MUST BE USED.
  - UL467 LISTED.
  - LISTED UNDER UL486A FOR COPPER WIRE CONNECTORS.
  - SUITABLE FOR DIRECT BURIAL IN EARTH OR CONCRETE.
  - DIMENSIONS IN BRACKETS [ ] ARE IN MILLIMETERS, ROUNDED OFF TO THE NEAREST MILLIMETER UNLESS OTHERWISE NOTED. METRIC DIMENSIONS ARE FOR REFERENCE ONLY.
  - THE FOLLOWING KITS CAN BE ORDERED:
    - YGHA282NKIT1 (1) YGHA282N HYLUG™  
(1) 1/2 OZ TUBE OF PENETROX™ "A"  
(2) 1/2 X 1-3/4 LG SILICON BRONZE HEX BOLTS  
(2) 1/2 SILICON BRONZE HEX NUTS  
(4) 1/2 SILICON BRONZE FLAT WASHERS  
(2) 1/2 SILICON BRONZE SPLIT LOCKWASHERS
    - YGHA282NKIT2 SAME AS THE YGHA282NKIT1 EXCEPT ALL HARDWARE IS STAINLESS STEEL.
    - YGHA282NKIT3 SAME AS THE YGHA282NKIT1 EXCEPT IT CONTAINS (2) 1/2 STAINLESS STEEL BELLEVILLE WASHERS INSTEAD OF (2) 1/2 SILICON BRONZE SPLIT LOCKWASHERS. EACH KIT IS PACKAGED IN A POLYBAG.



- CATALOG NUMBERS YGHA362N & YGHA392N WILL NOT HAVE UL OR CSA LISTING, AND WILL NOT BE MARKED "BURIAL", BECAUSE IT FALLS OUTSIDE THE RANGE TESTED FOR UL/CSA APPROVAL.
- FOR TIN PLATED PARTS ADD SUFFIX "TN" TO THE CATALOG NUMBER.
- FOR TIN PLATED PARTS WITH NO PENETROX™ ADD SUFFIX "TNNP" TO THE CATALOG NUMBER.
- FOR UNDRILLED PARTS ADD SUFFIX "U" TO THE CATALOG NUMBER. UNDRILLED PARTS ARE NOT UL/CSA CERTIFIED.

- YGHA322N IS NOT UL/CSA CERTIFIED.
- FOR NICKEL PLATED PARTS ADD SUFFIX "NK" TO THE CATALOG NUMBER.

|   |  |                            |                             |
|---|--|----------------------------|-----------------------------|
| TO ORDER BURNDY® PRODUCTS CALL  |  | HYLUG™ HEAVY DUTY, GROUND  |                             |
| UNITED STATES<br>1-800-346-4175 (LONDONDERRY, NH)                           |  | ITEM NO: N/A               | CAT. NO: YGHA-2N (TABLE)    |
| CANADA:<br>1-800-361-6975 (QUEBEC)<br>1-800-387-6487 (ALL OTHER PROVINCES)  |  | DRAWN BY: H.C. 11/1/78     | CHECKER: H.C. 11/1/78       |
| FOR PRODUCT INFO: <a href="http://www.burndy.com">http://www.burndy.com</a> |  | DSN APPVL: ESG 11/7/78     | MFG APPVL: --               |
|   |  | GA APPVL: A.LLOYD 8/18/92  | MKT APPVL: T.NELSON 9/10/92 |
|   |  | PROD FAM: CM&R COMPRESSION | DRAWING NO: SD082472-01     |
|   |  | PROJECT #: --              | SCALE: 1:1                  |
|   |  | DOCUMENT TYPE: Sales       | SHEET 1 OF 1                |
|   |  | REL LEVEL: In Work         |                             |

REV: PE0200