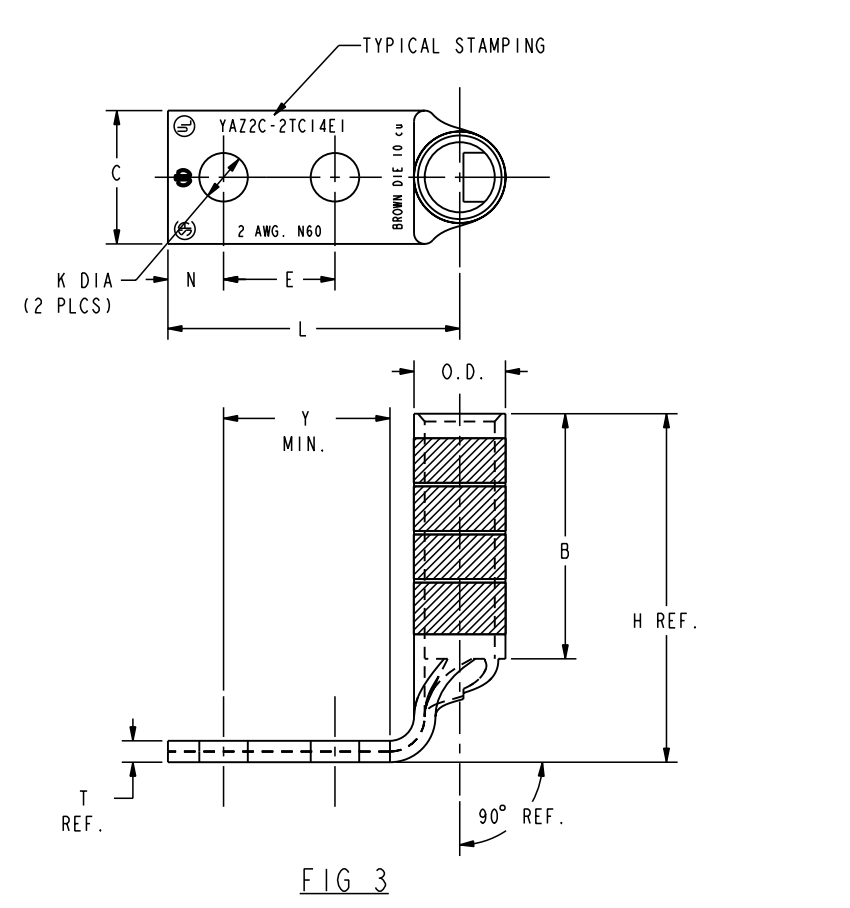
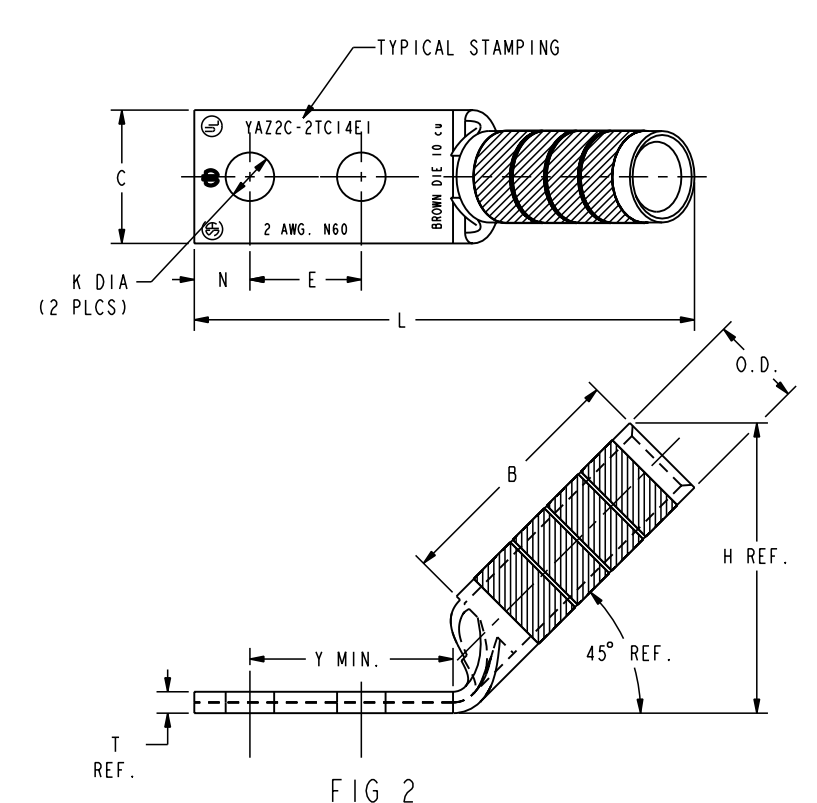
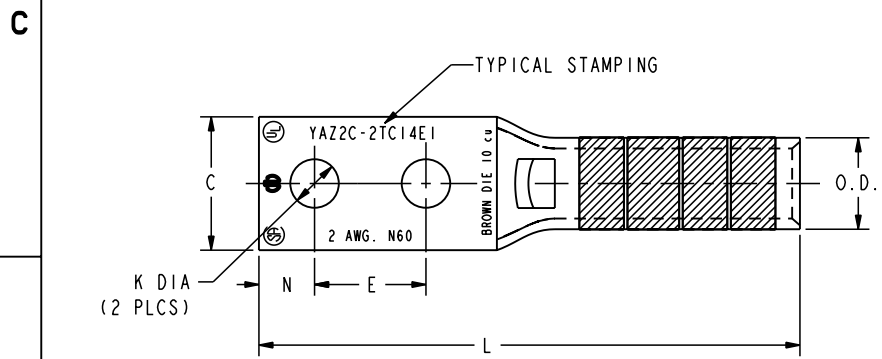


REV	DATE	DESCRIPTION	ECO	BY	C'H'K.
A	4/11/2008 12:00:00 AM	REDRAW INTO PRO-E & CATALOG NUMBER UPDATION	16757	DG	BSK

CATALOG NO.	CONDUCTOR		BOLT SIZE	FIG. NO.	DIMENSIONS										INSTALLATION TOOLING (# CRIMPS)											
	CODE (AWG)	NAVY			B ±.06	C +.04	E ±.02	H REF.	K DIA. ±.02	L ±.09	N ±.04	O.D. ±.01	T REF.	Y MIN.	DIE INDEX	COLOR CODE	MECHANICAL RATCHET			HYDRAULIC				DIELESS (# CRIMPS)	WIRE STRIP LENGTH	
																	MD7-34R MD6	OUR840	Y2MR	Y34A	Y750 Y35, BAT35 Y39, BAT750	Y46	Y45			
YAZ2C2TC14E2	#2 AWG [-----]	60		1	1.25 [32]	.60 [15]	.75 [19]	1.42 [36]	.27 [7]	2.97 [75]	.31 [8]	.42 [11]	.11 [3]		1.09 [28]	10	BROWN	W2CVT W2CRT (2)	W2CVT W2CRT (2)	----	A2CR (2)	U2CRT (2)	U2CRT (2)	U2CRT (2)		1-5/16
YAZ2C2TC14E245			1/4 [M6]	2				1.42 [36]		2.77 [70]																
YAZ2C2TC14E290				3				1.74 [44]		1.71 [43]																
YAZ2C2TC14E1				1				----		3.22 [82]																
YAZ2C2TC14E145			1/4 [M6]	2			1.00 [25]	1.42 [36]		3.02 [77]				1.34 [34]												
YAZ2C2TC14E190				3		.60 [15]		1.74 [44]		1.96 [50]																
YAZ2C2NT14E1				1				----		3.22 [82]																
YAZ2C2NT14E145			1/4 [M6]	2			1.00 [25]	1.42 [36]		3.02 [77]				1.34 [34]												
YAZ2C2NT14E190	#2 AWG [-----]	60		3	1.25 [32]	.48 [12]	1.00 [25]	1.74 [44]	.27 [7]	1.96 [50]	.31 [8]	.42 [11]	.11 [3]		10	BROWN	W2CVT W2CRT (2)	W2CVT W2CRT (2)	----	A2CR (2)	U2CRT (2)	U2CRT (2)	U2CRT (2)	MECHANICAL: MY29-11 (1) HYDRAULIC: Y644, Y644M, Y644MBH, Y1000, Y1000BH (1)	1-5/16	



- NOTES:
- MATERIAL: COPPER TUBING.
 - FINISH: TIN PLATED
 - CATALOG # PT6515 ADAPTOR IS REQUIRED TO USE "U" DIES IN Y45 SERIES TOOLS.
 - CATALOG # PUADP-1 ADAPTOR IS REQUIRED TO USE "U" DIES IN Y46 SERIES TOOLS.
 - NAVY CABLE SIZE MAY BE OMITTED ON SOME SIZES BECAUSE OF SPACE LIMITATIONS.
 - DIMENSIONS, METRIC WIRE, & METRIC BOLT SIZES IN BRACKETS [] ARE IN MILLIMETERS. DIMENSIONS ARE ROUNDED OFF TO THE NEAREST MILLIMETER, UNLESS OTHERWISE NOTED, AND ARE FOR REFERENCE ONLY.
 - FOR USE BY CUSTOMERS THAT HAVE THIS HYPRESS™ NO NEW Y34A HYPRESS™ ARE BEING PROCESSED.

TO ORDER BURNDY® PRODUCTS CALL UNITED STATES 1-800-346-4175 (LONDONDERRY, NH) CANADA: 1-800-361-6975 (QUEBEC) 1-800-387-6487 (ALL OTHER PROVINCES) FOR PRODUCT INFO: http://www.burndy.com	HYLUG™	
	ITEM NO:	N/A
	CAT. NO:	YAZ2C-2TC- (SEE TABLE)
	DRAWN BY:	D. BOISVERT 11/12/98
	CHECKER:	K. HENRY 12/03/98
	DSN APPVL:	B. MACDONALD 12/02/98
	MFG APPVL:	N/A
	QA APPVL:	S. GARY 11/30/98
	MKT APPVL:	B. HARDGROVE 11/25/98
	SCALE:	4:1
PROJ. NO.:	---	
SIZE:	D	
DOCUMENT TYPE:	Sales	
REL LEVEL:	Released	
DRAWING NO.	SE211915	
REV	A	
SHEET	14 OF 36	