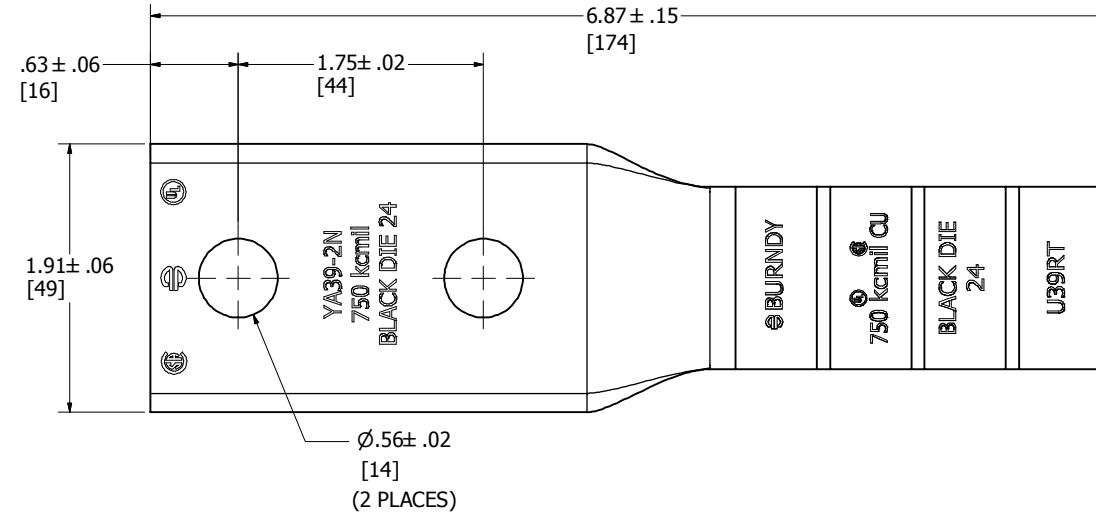
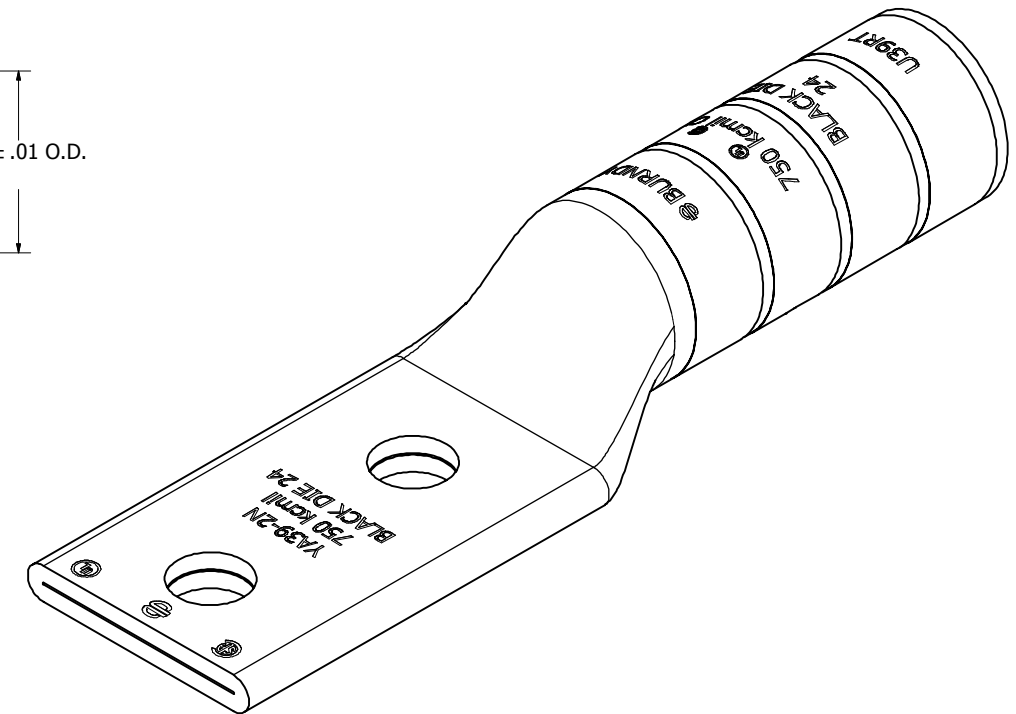
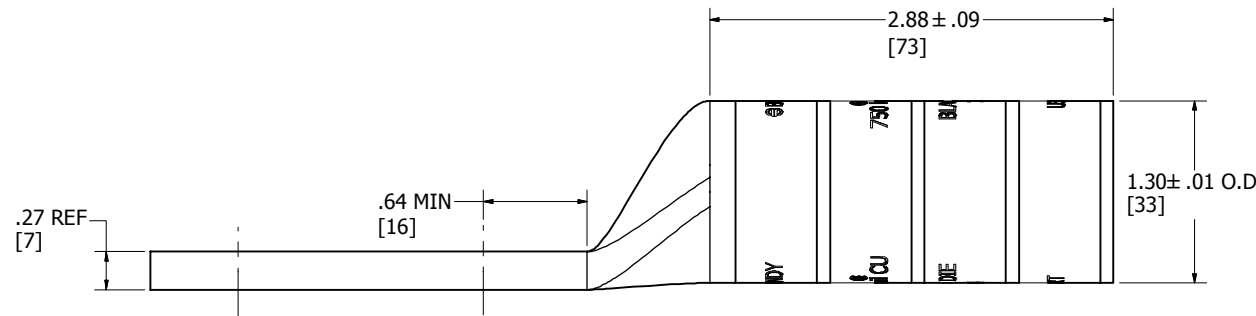


STRANDED COPPER CONDUCTOR ACCOMMODATED			BOLT SIZE	METRIC BOLT SIZE	COLOR CODE	DIE INFORMATION		MECHANICAL RATCHET				HYDRAULIC					DIELESS (# CRIMPS)	WIRE STRIP LENGTH	REV	DATE	DESCRIPTION	ECO	BY	C'H'K		
CODE (AWG)	NAVY	METRIC SIZE (CLASS 2)				DIE INDEX	TYPE	Y1MRTC	OUR840	MD6 MD7	MD6--R2 MD7-34R	PAT600 Y500	Y34A Y34B Y34BH	Y35, Y39 Y750, PAT750	PAT46 Y46	Y45			Y48B	Y60BHU	A	11/15/2012	NEW SALES DRAWING CREATED	29389	CG	MA
750 kcmil	----	375mm ² STR	1/2	M12	BLACK	24	BLACK DIE SET	----	----	----	----	----	----	U39RT(4)	U39RT(4) P39RT(4)	U39RT(4) S39RT(4)	C39R(2) C36AR(2)	L39RT(2) L36ART(2)	HYDRAULIC: Y644(1) PAT644(1) Y81KFT(4) PAT81KFT(4)	2 - 15/16"						
							NEST INDENTOR	----	----	----	----	----	----	----	P39D(2) P44PR	----	C39D(2) Y48PR	----								



BARREL MARKING



NOTES:

1. MATERIAL: COPPER TUBING
2. FINISH: TIN PLATED.
3. CATALOG # PT6515 ADAPTOR IS REQUIRED TO USE "U" DIES IN Y45 SERIES TOOLS.
4. CATALOG # PUADP-1 ADAPTOR IS REQUIRED TO USE "U" DIES IN Y46 SERIES TOOLS.
5. PERMANENT DIE IN TOOLING.
6. DIMENSIONS IN BRACKETS [] ARE IN MILLIMETERS ROUNDED OFF TO THE NEAREST MILLIMETER, UNLESS OTHERWISE NOTED, AND ARE FOR REFERENCE ONLY.
7. FOR USE BY CUSTOMERS THAT HAVE THIS HYPRESS.™ NO NEW Y34A HYPRESS™ TOOLS ARE BEING PROCESSED. Y34A USES A--D TYPE NEST DIES.
8. UL LISTED AND CSA CERTIFIED WIRE CONNECTORS.
9. "X", "W-RT", "W-VT", "U", & "L" DIE SETS ARE COLOR CODED. "A", "B", AND "C" DIES ARE NOT COLOR CODED. NESTS AND INDENTOR TYPE ARE NOT COLOR CODED.

TO ORDER BURNDY® PRODUCTS CALL		HYLUG™	
UNITED STATES 1-800-346-4175 (LONDONDERRY, NH)		ITEM NO: 510235	
CANADA: 1-800-361-6975 (QUEBEC) 1-800-387-6487 (ALL OTHER PROVINCES)		CAT. NO: YA392N	
FOR PRODUCT INFO: http://www.burndy.com		DRAWN BY: GANESAN 11/15/2012	
		CHECKER: J.MICHAUD 5/2/2013	
		DSN APRVL: R.ROMAN 4/26/2013	
		MFG APRVL: M.KNAPTON 4/26/2013	
		QA APRVL: T.WATTS 4/29/2013	
		MKT APRVL: J.SYLVIA 4/25/2013	
		PROD FAM: CM&R COMPRESSION	DRAWING NO
		PROJECT #: --	50014349
		DOCUMENT TYPE: SALES	REV
		REL LEVEL: Released	A
		SIZE: D	SHEET 1 OF 1