

SD79848

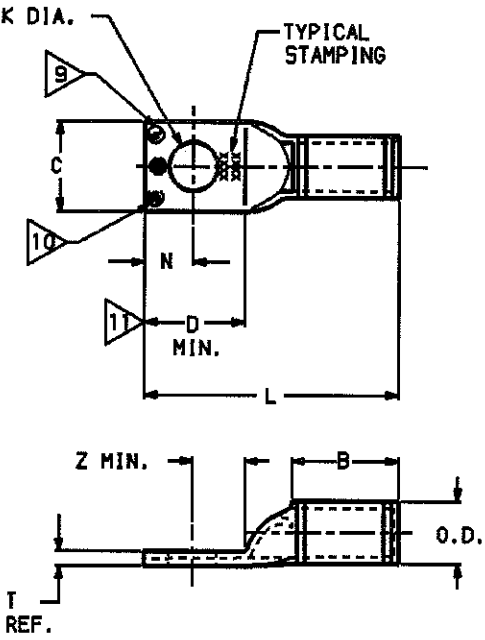
CATALOG NUMBER	STRANDED COPPER CONDUCTOR ACCOMMODATED			BOLT SIZE	METRIC BOLT SIZE	DIMENSIONS								
	CODE (AWG)	NAVY	METRIC SIZE (CLASS 2)			B	C	D MIN.	K DIA	L	N	O.D.	T REF	Z MIN
YA2C-LU	#2 AWG	60	-----	-----	-----	.88 [22]	.60 [15]	.73 [18]	-----	1.90 [48]	-----	.42 [11]	.11 [3]	-----
YA2C-L4				3/8	-----	.61 [15]	-----	.40 [10]	2.06 [52]	.41 [10]	-----	.11 [3]	.42 [11]	
YA2C-L4U				-----	-----	.60 [15]	.86 [22]	-----	2.02 [51]	-----	-----	.11 [3]	-----	
YA2C-L6				1/2	M12	.88 [22]	.73 [19]	-----	.53 [13]	2.32 [59]	.53 [13]	.42 [11]	.09 [2]	.55 [14]

CONNECTOR SIZE	TOLERANCES					
	B	C	K DIA.	L	N	O.D.
-8C THRU -25	±.06	+ .04 - .02	±.02	±.09	±.03	±.01
-26 THRU -34	±.08	+ .04 - .02	±.02	±.12	±.03	±.01
-35 AND UP	±.09	±.06	±.02	±.15	±.06	±.01

TOLERANCE BLOCK

INSTALLATION TOOLING (# CRIMPS)

CATALOG NO.	COLOR CODE	DIE INFORMATION		MECHANICAL RATCHET					HYDRAULIC				DIELESS (# CRIMPS)	WIRE STRIP LENGTH		
		DIE INDEX	TYPE	Y2MR	OUR840	MD6 MD7	MD6--R2 BAT500	MD7-34R	Y34A Y34B Y34BH	Y35, Y39 Y750, BAT35 BAT750	Y46	Y45			Y48B	Y60BHU
YA2C-LU	BROWN	10	BROWN DIE SET	BROWN (2)	X2CRT (1)	W2CRT (1)	W2CRT (1)	W2CRT (1)	-----	U2CRT (1)	U2CRT (1)	U2CRT (1)	-----	-----	MECHANICAL: MY29-3 (1) MY29-11 (1) HYDRAULIC: Y644M (1) BAT644M (1)	15/16"
YA2C-L4				-----	-----	-----	-----	-----	A2CD (1)	U2CD-1 (1)	U2CD-1 (1)	U2CD-1 (1)	-----	-----		
YA2C-L4U			NEST	-----	-----	-----	-----	-----	B2CD (1)	-----	-----	-----	-----	-----		
YA2C-L6			INDENTOR	-----	-----	-----	-----	-----	Y34PR	Y34PR	Y34PR	Y34PR	-----	-----		



NOTES:

- MATERIAL: COPPER TUBING.
- FINISH: ELECTRO-TIN PLATED.
- CATALOG # PT6515 ADAPTOR IS REQUIRED TO USE "U" DIES IN Y45 SERIES TOOLS.
- CATALOG # PUADP-1 ADAPTOR IS REQUIRED TO USE "U" DIES IN Y46 SERIES TOOLS.
- Y35P3 INDENTOR ADAPTOR REQUIRED FOR Y34PR INDENTOR.
- PERMANENT DIE IN TOOLING.
- DIMENSIONS IN BRACKETS [] ARE IN MILLIMETERS ROUNDED OFF TO THE NEAREST MILLIMETER, UNLESS OTHERWISE NOTED, AND ARE FOR REFERENCE ONLY.
- FOR USE BY CUSTOMERS THAT HAVE THIS HYPRESS™ NO NEW Y34A HYPRESS™ TOOLS ARE BEING PROCESSED. Y34A USES A--D NEST DIES ONLY.
- CONNECTORS ARE UL LISTED; UNDRILLED VERSIONS ARE NOT UL LISTED.
- CONNECTORS ARE CSA CERTIFIED; UNDRILLED VERSIONS ARE NOT CSA CERTIFIED.
- FOR UNDRILLED VERSIONS ADD SUFFIX "-U" TO END OF CATALOG NUMBER. FOR UNDRILLED VERSIONS, USE D MIN. = N MAX. + Z MIN.
- "X" "W-RT" "W-VT" "U", & "L" DIE SETS ARE COLOR CODED. "A", "B", AND "C" DIES ARE NOT COLOR CODED. NESTS AND INDENTOR TYPE ARE NOT COLOR CODED.

REFERENCE: SE209240

SUPERSEDES: SA79848 (SHT. 6)

COPPER HYLUG™

REV.	DATE	DESCRIPTION	BY	C'K'D.
23	12/10/96	CHANGED CLOSED BARREL VIEW TO SKIVED VIEW TO SHOW CORRECT VIEWS. UPDATE FORMAT. (PER PCN 3007)	PL	JLM
22	2/8/95	CHANGED BROWN (1) TO BROWN (2) IN THE Y2MR COLUMN, AND REMOVED YAV-TC FROM THE CAT. NO. PER (PCN 2184)	JWA	NSP
21	12/13/94	CHANGED NOTE 12. (PCN 2145)	JLM	DGF
20	10/3/94	REDRAWN TO CAD. THIS SHEET WAS AN "SA" PREFIX AND WAS FOR UL ONLY. ADDED NOTES 1 THRU 12. ADDED SHEETS 7 THRU 17. ADDED MKTG. & Q.A. APPROVAL SIGNATURES. (PCN 1878)	JLM	DGF

CAT NO: YA-L, YA-L-TC-		SCALE: N/A
DRWN: C RACANO	DATE: 8/16/77	CHKD: N/A
DSGN APPR: LB	DATE: 8/24/77	APPV: N/A
S.A. APPR: C ACKERMAN	DATE: 8/30/84	APPV: Y NELSON
CAD FILE: SD79848-BHT08	DATE: N/A	APPV: N/A
PROJECT: DC 37810		DATE: N/A
DRAWING NO: SD79848		REV: 23
SHEET 6 OF 17		

