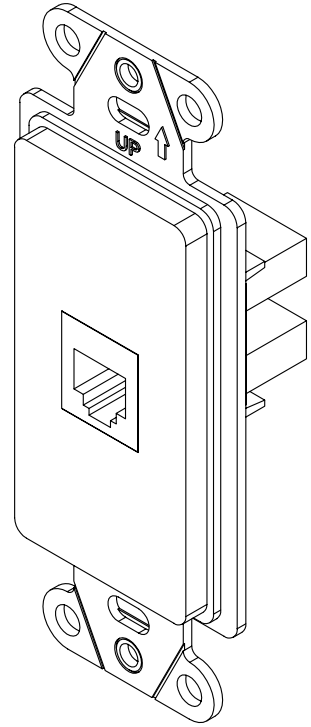


2

1

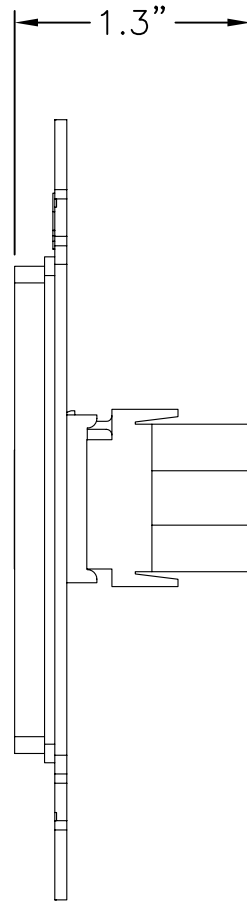
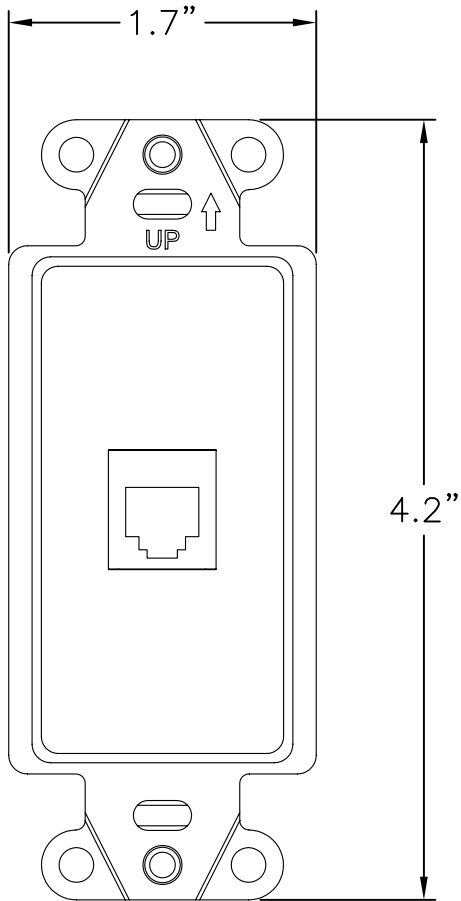
NOTES:

- 1. CAT5E RJ45 PREASSEMBLED IN A 1 PORT DECORATOR STRAP
- 2. COLORS AVAILABLE:  
 BLACK  
 LIGHT ALMOND  
 WHITE



B

B



A

A

PROPRIETARY AND CONFIDENTIAL  
 THE INFORMATION CONTAINED  
 IN THIS DRAWING IS THE SOLE  
 PROPERTY OF On-Q/LEGRAND.  
 ANY REPRODUCTION IN PART OR  
 AS A WHOLE WITHOUT THE WRITTEN  
 PERMISSION OF On-Q/LEGRAND  
 IS PROHIBITED. DRAWING IS SUBJECT  
 TO CHANGE WITHOUT NOTICE.

**on·Q**

**legrand**

P.O. Box 60907  
 Middletown, PA 17106-0907  
 1-800-321-2343

TITLE:

**PRECONFIGURED 1 PORT STRAP  
 RJ45**

SIZE <b>A</b>	DWG NO <b>WP3210</b>	FILE NAME <b>CD-WP3210</b>	CUST REV <b>1</b>
REVISED DATE 11/09/07	SCALE <b>NONE</b>	SHEET <b>1 OF 1</b>	

2

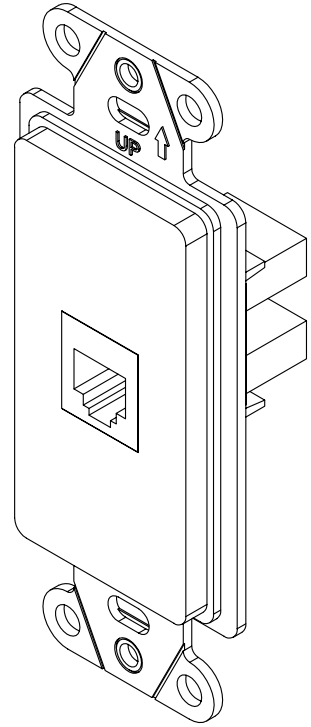
1

2

1

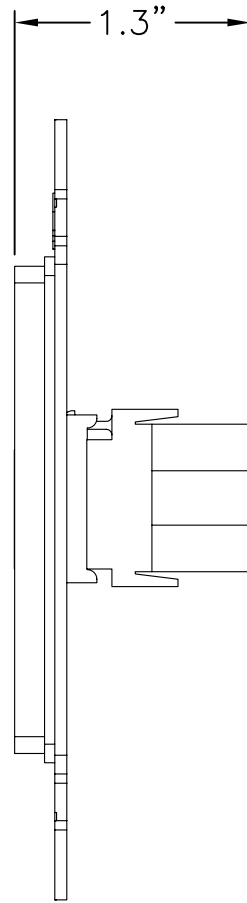
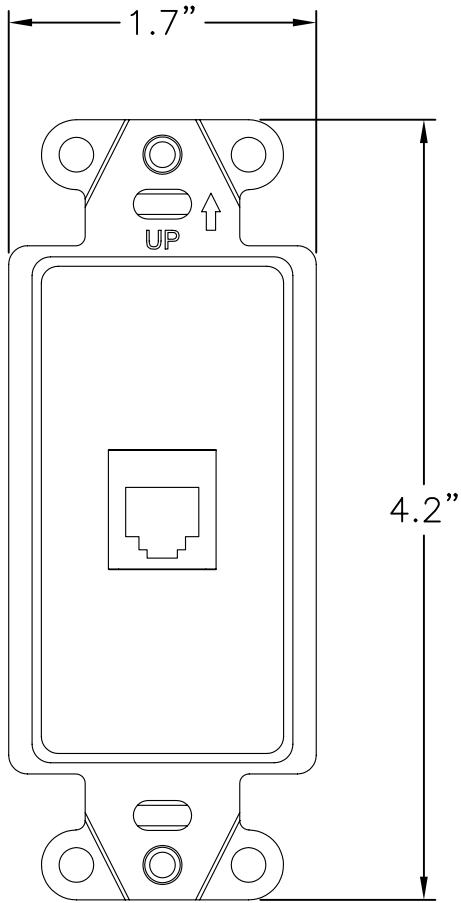
NOTES:

- 1. CAT5E RJ45 PREASSEMBLED IN A 1 PORT DECORATOR STRAP
- 2. COLORS AVAILABLE:  
 BLACK  
 LIGHT ALMOND  
 WHITE



B

B



A

A

PROPRIETARY AND CONFIDENTIAL  
 THE INFORMATION CONTAINED  
 IN THIS DRAWING IS THE SOLE  
 PROPERTY OF On-Q/LEGRAND.  
 ANY REPRODUCTION IN PART OR  
 AS A WHOLE WITHOUT THE WRITTEN  
 PERMISSION OF On-Q/LEGRAND  
 IS PROHIBITED. DRAWING IS SUBJECT  
 TO CHANGE WITHOUT NOTICE.

**on·Q**

**legrand**

P.O. Box 60907  
 Middletown, PA 17106-0907  
 1-800-321-2343

TITLE:

**PRECONFIGURED 1 PORT STRAP  
 RJ45**

SIZE	DWG NO	FILE NAME	CUST REV
<b>A</b>	<b>WP3210</b>	<b>CD-WP3210</b>	<b>1</b>
REVISED DATE	SCALE	SHEET	
11/09/07	<b>NONE</b>	<b>1 OF 1</b>	

2

1