

# WP1H70

Compact Wallpack. UV stabilized, vandal resistant prismatic polycarbonate refractor. Lamp supplied.

Color: Bronze

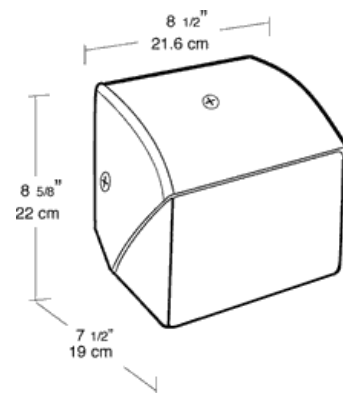
Weight: 8.6 lbs

## Lamp Info

Type: ED17  
 Watts: 70W  
 Shape/Size: N/A  
 Base: N/A  
 ANSI: N/A  
 Hours: 15,000  
 Lamp Lumens: 5,600  
 Efficacy: 60 LPW

## Ballast Info

Type: HX-NPF 120V  
 120V: 2.8/2.2A  
 208V: N/A  
 240V: N/A  
 277V: N/A  
 Input Watts: 94W  
 Efficiency: 74%



## Technical Specifications

### UL Listing:

Suitable for wet locations. HID fixtures can be wired with 90°C supply wiring if supply wires are routed 3" away from the ballast.

### Housing:

Die cast aluminum, 1/2" NPS tapped top, both sides and back for conduit or photocontrol. Hinged refractor. Continuous one piece silicone rubber gasket.

### Reflector:

Semi-Specular anodized aluminum, removable for installation. Symmetrical light pattern maximizes distance between fixtures.

### Finish:

Our environmentally friendly polyester powder coatings are formulated for high-durability and long-lasting color, and contains no VOC or toxic heavy metals.

### Conduit Openings:

Top, side and back.

### Template:

Drilling template for easy wall box mounting.

### Patents:

Pat. D440,683.

### EISA 2007 Compliant:

This product complies with the new law for metal halide ballast efficiency. This law goes into effect January 1st, 2008. Pulse Start offers Longer Lamp Life, Faster Startup and Faster Restrike.

# WP1H70

Compact Wallpack. UV stabilized, vandal resistant prismatic polycarbonate refractor. Lamp supplied.

Color: Bronze

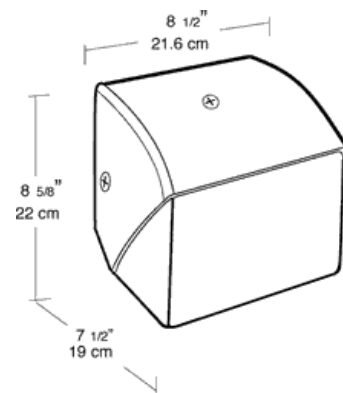
Weight: 8.6 lbs

## Lamp Info

Type: ED17  
 Watts: 70W  
 Shape/Size: N/A  
 Base: N/A  
 ANSI: N/A  
 Hours: 15,000  
 Lamp Lumens: 5,600  
 Efficacy: 60 LPW

## Ballast Info

Type: HX-NPF 120V  
 120V: 2.8/2.2A  
 208V: N/A  
 240V: N/A  
 277V: N/A  
 Input Watts: 94W  
 Efficiency: 74%



## Technical Specifications

### UL Listing:

Suitable for wet locations. HID fixtures can be wired with 90°C supply wiring if supply wires are routed 3" away from the ballast.

### Housing:

Die cast aluminum, 1/2" NPS tapped top, both sides and back for conduit or photocontrol. Hinged refractor. Continuous one piece silicone rubber gasket.

### Reflector:

Semi-Specular anodized aluminum, removable for installation. Symmetrical light pattern maximizes distance between fixtures.

### Finish:

Our environmentally friendly polyester powder coatings are formulated for high-durability and long-lasting color, and contains no VOC or toxic heavy metals.

### Conduit Openings:

Top, side and back.

### Template:

Drilling template for easy wall box mounting.

### Patents:

Pat. D440,683.

### EISA 2007 Compliant:

This product complies with the new law for metal halide ballast efficiency. This law goes into effect January 1st, 2008. Pulse Start offers Longer Lamp Life, Faster Startup and Faster Restrike.