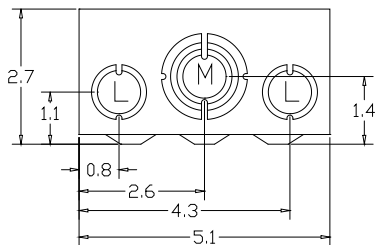
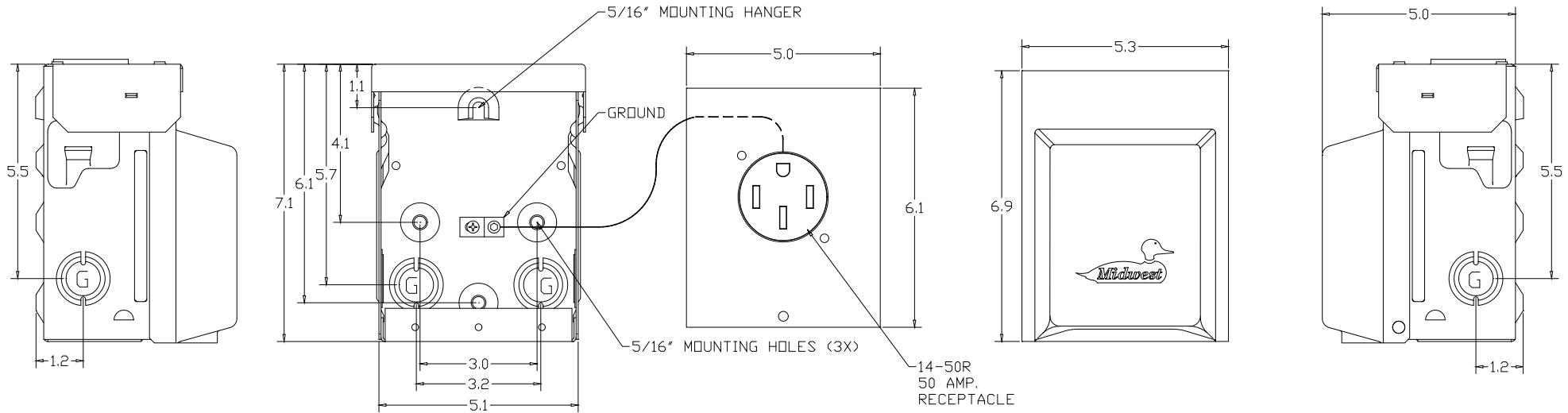


WIRE RANGE TABLE G:

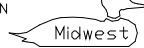
CONNECTOR	COPPER		ALUMINUM	
	SOLID	STRAND	SOLID	STRAND
LINE	12-8	12-4	-----	-----
LOAD	-----	-----	-----	-----
NEUTRAL	12-8	12-4	-----	-----
EQUIP. GRND.	12-8	12-2	-----	-----



KNOCKOUT TABLE:

L= 1/2", 3/4" KO
M= 1/2", 3/4", 1", 1-1/4" KO
G= 1/2", 3/4", 1" KO

SH15

MIDWEST ELECTRIC PRODUCTS, INC. Mankato, MN	* = Critical To Quality	
	Unless Otherwise Specified	
	AutoCad Generated	
	Tolerances On: 3 Pl. Decimals ± .010 2 Pl. Decimals ± .030 Fractions ± 1/32 Angles ± 1/2° Holes ± .003 Dimensions Are In Inches	SCALE 1 : 1
Dr. By: JDE Ck. By: CR: R0814112	SHEET 1 OF 1	

TITLE:
 U054
 OUTLINE DRAWING

DWG NO:
 265A6204