

1

BREAKOUTS

2

BREAKOUTS

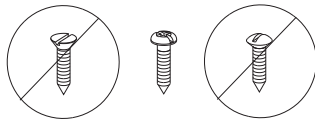
BREAK-OUTS	CONDUIT SIZES
A	1/2"
B	3/4"
C	1"
D	1 1/4"
E	1 1/2"

REMOVING BREAKOUTS

3

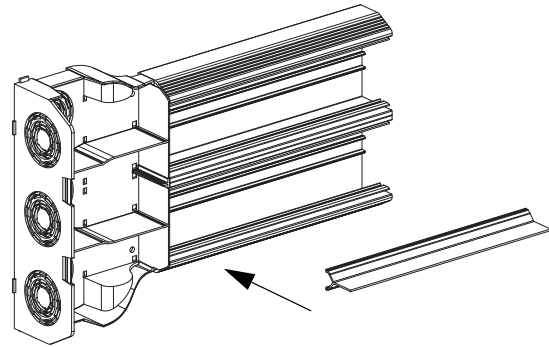
4

MOUNTING



The mounting hardware used to secure the raceway shall be appropriate for the mounting surface.

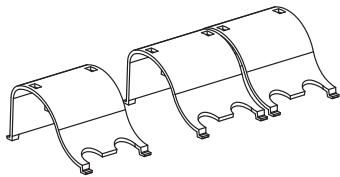
5



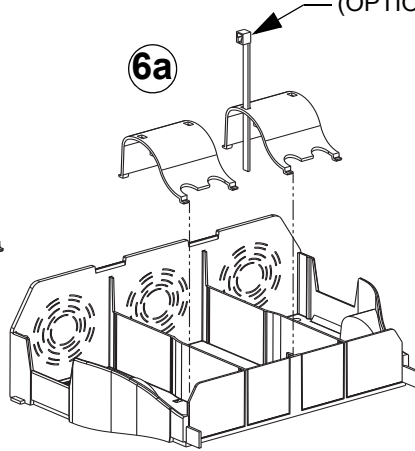
POWER/DATA LOW VOLTAGE APPLICATIONS

(OPTIONAL FOR DATA)

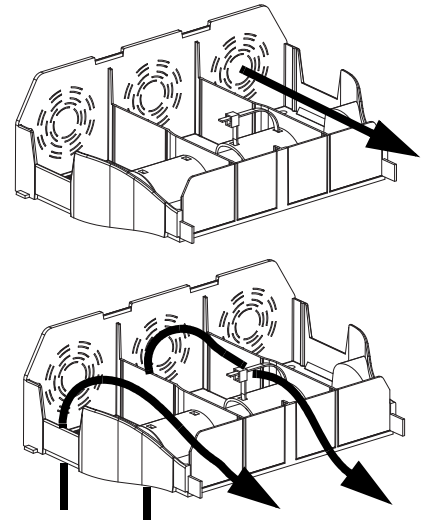
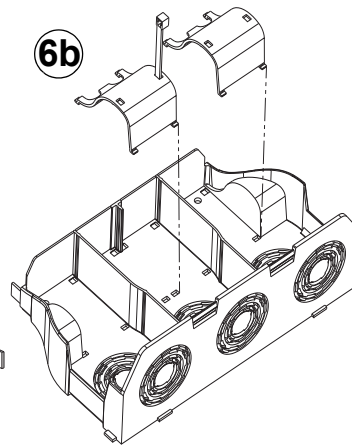
6



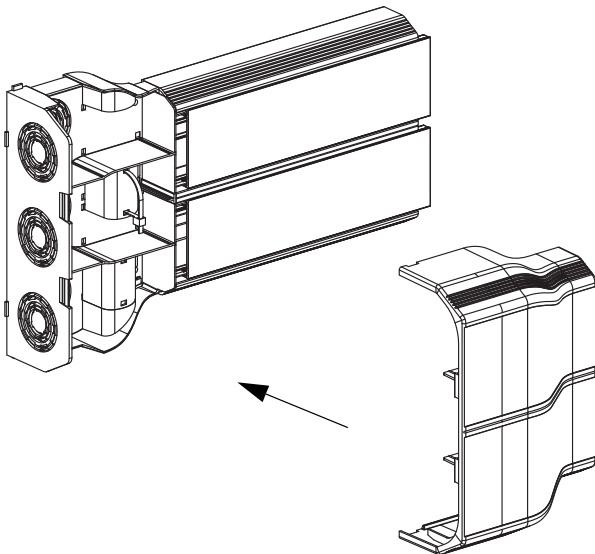
6a



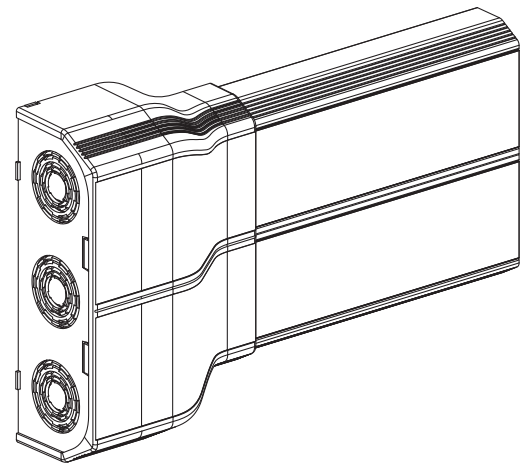
6b



7



8



For Instructions in Local Languages
and Technical Support:

www.panduit.com/resources/install_maintain.asp

PANDUIT
www.panduit.com

E-mail:
techsupport@panduit.com

Fax:
866-405-6654