

DESCRIPTION

The SSF Series is a functional and multi-purpose standard strip family that incorporates premium performance and construction durability. Designed with our easy-to-use Flip-Up socket design, the SSF significantly reduces installation time. The performance and application versatility of this series can be increased by incorporating symmetrical or asymmetrical reflectors. The SSF Series can be installed using various mounting methods and numerous options and accessories are available.

Catalog #		Type
Project		
Comments		Date
Prepared by		

SPECIFICATION FEATURES

Construction

Channel die cold rolled steel with numerous KOs for ease of installation. Groove for Tong Hanger. End plate quickly converts to snap-in channel connector for continuous row alignment. Lamp holder bracket flips in place. Channel/wireway cover secured with quarter-turn fasteners.

Channel/Wireway Cover

Die formed heavy gauge steel. Tight fit for ease of maintenance. Easily removed without use of tools. Optional reflector available incorporating silver technology enhancements (Silver Lining). Consult Pre Sales Technical Support.

Electrical*

Ballasts are CBM/ETL Class "P" and are positively secured by mounting bolts. Rotor Lock lampholders. UL/CUL listed. Suitable for damp locations.

Finish

Multistage iron phosphate pretreatment ensures maximum bonding and rust inhibitor. Lighting upgrade, baked white enamel finish. Prepainted material is standard, PAF optional.

Application

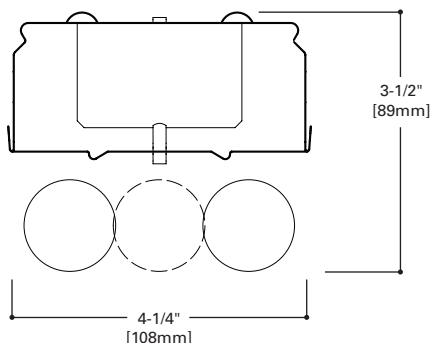
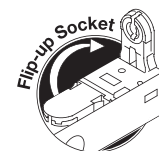
The SSF Series can be the illumination solution in commercial, industrial, retail and residential applications. Fixtures can be used in storage/utility areas, coves, display cases, shops, task and general area lighting.



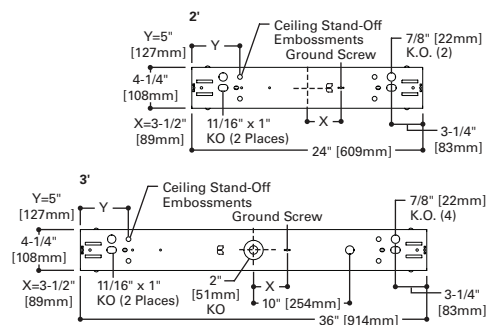
SSF
120
130
220
230

2' OR 3' STRIP
1 OR 2 T12 LAMPS

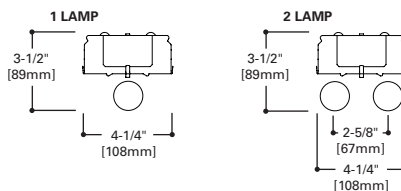
Standard Striplite



MOUNTING DATA



LAMP CONFIGURATIONS



ENERGY DATA

Input Watts:
EB Ballast & STD Lamps
130 (47), 230 (79)

*Reference the lamp/ballast data in the Technical Section for specific lamp/ballast requirements.

LAMPS CONTAIN MERCURY. DISPOSE ACCORDING TO LOCAL, STATE OR FEDERAL LAWS

LINEAR DISCONNECT

Safe and convenient means of disconnecting power.



ORDERING INFORMATION

SAMPLE NUMBER: SSF-220-UNV-EB81-U

<p>Tandem Blank=2' or 3' Length</p>	<p>Number of Lamps 1=1 Lamp (Not Included) 2=2 Lamps (Not Included)</p>	<p>Ballast Start Type LTS=Low Trigger Start (20W only) (120V only) HTS=High Trigger Start (20W only) LRS=Low Rapid Start (30W only) (120V only) HRS=High Rapid Start (30W only) (120V only)</p>	<p>Voltage⁽¹⁾ 120V=120 Volt 277V=277 Volt 347V=347 Volt</p>	<p>Ballast Type^{(1),(4)} Blank=Standard Magnetic Ballast LE3=T12 Magnetic Energy Saving EB2=T12 Electronic Rapid Start. Total Harmonic Distortion < 20%</p>	<p>Options 6-3/18 SJT-C&P-515P=Cord & Plug (120V) (15 AMP)⁽⁵⁾ 6-3/18 SJT-C&P-L715P=Cord & Plug (277V) (15 AMP)⁽⁵⁾ PI/CPI=Plug-In Option⁽⁵⁾ TILW=Tandem In-Line Wiring Option (Consult TILW Option Catalog Page)⁽⁵⁾</p>
<p>Series SSF=Commercial Standard Striplite</p>	<p>Wattage 20=20W T12 (24") 30=30W T12 (36")</p>		<p>Options⁽¹⁾ GL=Single Element Fuse GM=Double Element Fuse EL4=Emergency Installed^{(3) (4)}</p>	<p>No. of Ballast 1 or 2</p>	<p>Packaging U=Unit Pack 4B=4 Bulk Packing (48" and 96")</p>

NOTES: ⁽¹⁾Products also available in non-US voltages and frequencies for international markets. ⁽²⁾For SilverLining reflector add SS in Catalog Number, Example: SSF-ASY-SS-4. ⁽³⁾Not available for 2' version. For other emergency options specify manufacturer part number and consult the factory for availability (example: ELFBP240H). ⁽⁴⁾Maximum width clearance for ballast in channel is 2-7/32". ⁽⁵⁾Socket brackets left uninstalled.

Specifications & dimensions subject to change without notice. Consult your Eaton Representative for availability and ordering information.

ACCESSORIES

- (Order Separately)
- A1B/Spacer-U=Spacer 1-1/2" to 2-1/2" from ceiling (Use 2 Per Fixture)
 - GRP-SSF=Gripper Hanger (Use 2 Per Fixture)
 - AVC-Chain/Set=36" Chain Hanger (Use 1 Set Per Fixture)
 - SCF=Fixed Stem Set (Specify Length)
 - SCS=Swivel Stem Set (Specify Length)
 - SCA=Adjustable 48" Stem Set
 - CLC-SSF=Long Channel Connector SSF
 - SSF-ASY-3⁽²⁾=3" Asymmetric Reflector (Specify 2' or 3')
 - SSF-REV-3⁽²⁾=3" Asymmetric Reverse Reflector (Specify 2' or 3')
 - SSF-SYM-3⁽²⁾=6" Symmetric Reflector (Specify 2' or 3')
 - WG/SSF-2FT=2' Wire Guard
 - WG/SSF-3FT=3' Wire Guard
 - TOGGLE=Single Toggle NO. 2 (Specify Length)
 - Y-TOGGLE=Y Toggle NO. 2 (Specify Length)
- (Additional Accessories Available. See Options and Accessories Section.)

SHIPPING DATA

Catalog No.	Wt.
SSF-120	7 lbs.
SSF-130	7 lbs.
SSF-220	9 lbs.
SSF-230	9 lbs.

DESCRIPTION

The SSF Series is a functional and multi-purpose standard strip family that incorporates premium performance and construction durability. Designed with our easy-to-use Flip-Up socket design, the SSF significantly reduces installation time. The performance and application versatility of this series can be increased by incorporating symmetrical or asymmetrical reflectors. The SSF Series can be installed using various mounting methods and numerous options and accessories are available.

Catalog #		Type
Project		
Comments		Date
Prepared by		

SPECIFICATION FEATURES

Construction

Channel die cold rolled steel with numerous KOs for ease of installation. Groove for Tong Hanger. End plate quickly converts to snap-in channel connector for continuous row alignment. Lamp holder bracket flips in place. Channel/wireway cover secured with quarter-turn fasteners.

Channel/Wireway Cover

Die formed heavy gauge steel. Tight fit for ease of maintenance. Easily removed without use of tools. Optional reflector available incorporating silver technology enhancements (Silver Lining). Consult Pre Sales Technical Support.

Electrical*

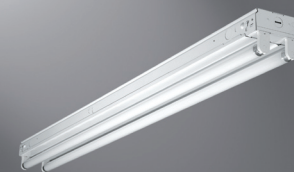
Ballasts are CBM/ETL Class "P" and are positively secured by mounting bolts. Rotor Lock lampholders. UL/CUL listed. Suitable for damp locations.

Finish

Multistage iron phosphate pretreatment ensures maximum bonding and rust inhibitor. Lighting upgrade, baked white enamel finish. Prepainted material is standard, PAF optional.

Application

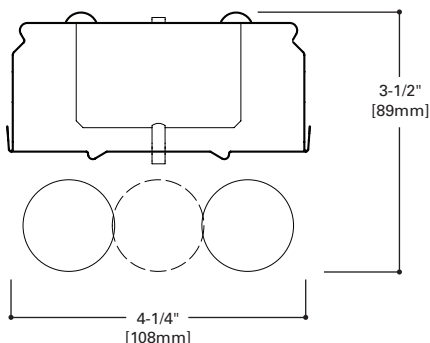
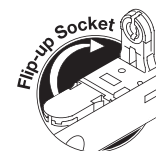
The SSF Series can be the illumination solution in commercial, industrial, retail and residential applications. Fixtures can be used in storage/utility areas, coves, display cases, shops, task and general area lighting.



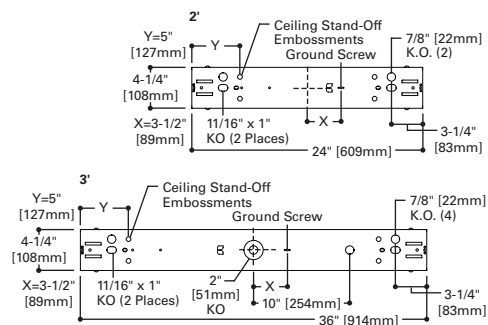
SSF
120
130
220
230

2' OR 3' STRIP
1 OR 2 T12 LAMPS

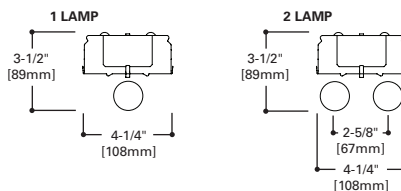
Standard Striplite



MOUNTING DATA



LAMP CONFIGURATIONS



ENERGY DATA

Input Watts:
EB Ballast & STD Lamps
130 (47), 230 (79)

*Reference the lamp/ballast data in the Technical Section for specific lamp/ballast requirements.

LAMPS CONTAIN MERCURY. DISPOSE ACCORDING TO LOCAL, STATE OR FEDERAL LAWS

LINEAR DISCONNECT

Safe and convenient means of disconnecting power.



ORDERING INFORMATION

SAMPLE NUMBER: SSF-220-UNV-EB81-U

<p>Tandem Blank=2' or 3' Length</p>	<p>Number of Lamps 1=1 Lamp (Not Included) 2=2 Lamps (Not Included)</p>	<p>Ballast Start Type LTS=Low Trigger Start (20W only) (120V only) HTS=High Trigger Start (20W only) LRS=Low Rapid Start (30W only) (120V only) HRS=High Rapid Start (30W only) (120V only)</p>	<p>Voltage⁽¹⁾ 120V=120 Volt 277V=277 Volt 347V=347 Volt</p>	<p>Ballast Type^{(1),(4)} Blank=Standard Magnetic Ballast LE3=T12 Magnetic Energy Saving EB2=T12 Electronic Rapid Start. Total Harmonic Distortion < 20%</p>	<p>Options 6-3/18 SJT-C&P-515P=Cord & Plug (120V) (15 AMP)⁽⁵⁾ 6-3/18 SJT-C&P-L715P=Cord & Plug (277V) (15 AMP)⁽⁵⁾ PI/CPI=Plug-In Option⁽⁵⁾ TILW=Tandem In-Line Wiring Option (Consult TILW Option Catalog Page)⁽⁵⁾</p>
<p>Series SSF=Commercial Standard Striplite</p>	<p>Wattage 20=20W T12 (24") 30=30W T12 (36")</p>		<p>Options⁽¹⁾ GL=Single Element Fuse GM=Double Element Fuse EL4=Emergency Installed^{(3) (4)}</p>	<p>No. of Ballast 1 or 2</p>	<p>Packaging U=Unit Pack 4B=4 Bulk Packing (48" and 96")</p>

NOTES: ⁽¹⁾Products also available in non-US voltages and frequencies for international markets. ⁽²⁾For SilverLining reflector add SS in Catalog Number, Example: SSF-ASY-SS-4. ⁽³⁾Not available for 2' version. For other emergency options specify manufacturer part number and consult the factory for availability (example: ELFBP240H). ⁽⁴⁾Maximum width clearance for ballast in channel is 2-7/32". ⁽⁵⁾Socket brackets left uninstalled.

Specifications & dimensions subject to change without notice. Consult your Eaton Representative for availability and ordering information.

ACCESSORIES

- (Order Separately)
- A1B/Spacer-U=Spacer 1-1/2" to 2-1/2" from ceiling (Use 2 Per Fixture)
 - GRP-SSF=Gripper Hanger (Use 2 Per Fixture)
 - AVC-Chain/Set=36" Chain Hanger (Use 1 Set Per Fixture)
 - SCF=Fixed Stem Set (Specify Length)
 - SCS=Swivel Stem Set (Specify Length)
 - SCA=Adjustable 48" Stem Set
 - CLC-SSF=Long Channel Connector SSF
 - SSF-ASY-3⁽²⁾=3" Asymmetric Reflector (Specify 2' or 3')
 - SSF-REV-3⁽²⁾=3" Asymmetric Reverse Reflector (Specify 2' or 3')
 - SSF-SYM-3⁽²⁾=6" Symmetric Reflector (Specify 2' or 3')
 - WG/SSF-2FT=2' Wire Guard
 - WG/SSF-3FT=3' Wire Guard
 - TOGGLE=Single Toggle NO. 2 (Specify Length)
 - Y-TOGGLE=Y Toggle NO. 2 (Specify Length)
- (Additional Accessories Available. See Options and Accessories Section.)

SHIPPING DATA

Catalog No.	Wt.
SSF-120	7 lbs.
SSF-130	7 lbs.
SSF-220	9 lbs.
SSF-230	9 lbs.