

# TOGGLE SWITCHES • UTILITY & HEAVY DUTY

.50" MOUNTING HOLE DIAMETER										
POLES & THROWS	CIRCUIT FUNCTIONS	NOMINAL RATING			ACTUATOR STYLE	ACTUATOR MATERIAL	LIGHTED TOGGLE/TOGGLE COLOR	TERMINATION TYPE	CATALOG NUMBER	FIG. NO.
		AMPS VAC	AMPS VAC	H.P. VAC						
		125	250	125-250						

### MAINTAINED CONTACT

DPST	ON-OFF	20*	2^	BAT	BRASS/NICKEL	NO/NICKEL	SCREW	SS627-BG	1
DPDT	ON-ON	15	10	3/4	FLAT	NYLON	NO/BLACK	SS511-BG	2
DPDT	ON-ON	15	10	3/4	FLAT	NYLON	NO/BLACK	SS506-BG	3
DPDT	ON-ON	20	10	3/4	BAT	BRASS/NICKEL	NO/NICKEL	SS117-BG <sup>1</sup>	4
DPDT	ON-ON	20	10Δ	1 1/2	BAT	BRASS/NICKEL	NO/NICKEL	SS208RP-BG	5
DPDT	ON-ON	20			BAT	BRASS/NICKEL	NO/NICKEL	SS208R-BG	6
DPDT	ON-OFF-ON	15	10	3/4	BAT	BRASS/NICKEL	NO/NICKEL	SS208P-BG	5
DPDT	ON-OFF-ON	15	10	3/4	FLAT	NYLON	NO/BLACK	SS512-BG	2
DPDT	ON-OFF-ON	15	10	3/4	FLAT	NYLON	NO/BLACK	SS507-BG	3
DPDT	ON-OFF-ON	20	10	3/4	BAT	BRASS/NICKEL	NO/NICKEL	SS118-BG <sup>1</sup>	4
DPDT	ON-OFF-ON	20			BAT	BRASS/NICKEL	NO/NICKEL	SS208-16-BG	6
3PST	ON-OFF	15	10	3/4 @ 250	BAT	BRASS/NICKEL	NO/NICKEL	SS212S-BG <sup>2</sup>	7
3PDT	ON-ON	15	10	3/4 @ 250	BAT	BRASS/NICKEL	NO/NICKEL	SS212-BG <sup>2</sup>	8
3PDT	ON-OFF-ON	15	10	3/4 @ 250	BAT	BRASS/NICKEL	NO/NICKEL	SS212A-BG <sup>2</sup>	8
4PST	ON-OFF	15	10	3/4 @ 250	BAT	BRASS/NICKEL	NO/NICKEL	SS219S-BG <sup>2</sup>	9
4PDT	ON-ON	15	10	3/4 @ 250	BAT	BRASS/NICKEL	NO/NICKEL	SS219-BG <sup>2</sup>	10
4PDT	ON-OFF-ON	15	10	3/4 @ 250	BAT	BRASS/NICKEL	NO/NICKEL	SS220-BG <sup>2</sup>	10

\*Stated Amperage and voltage also valid for D.C. Rating

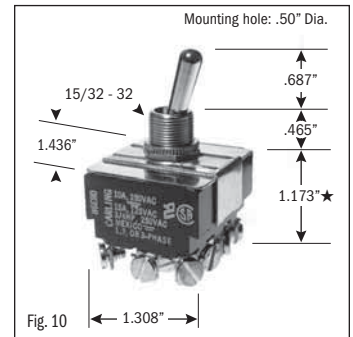
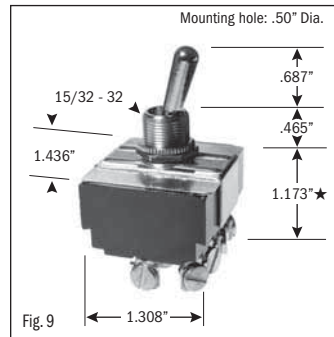
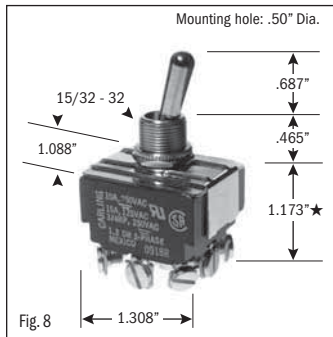
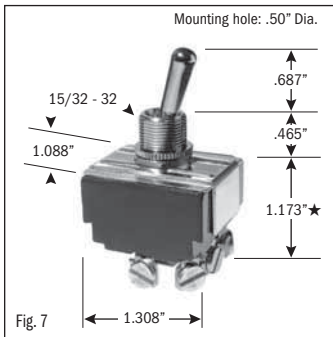
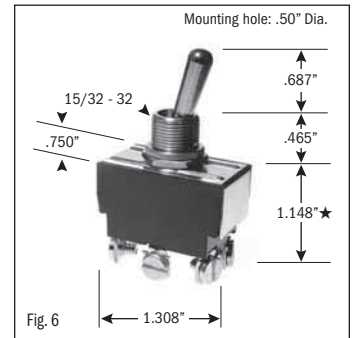
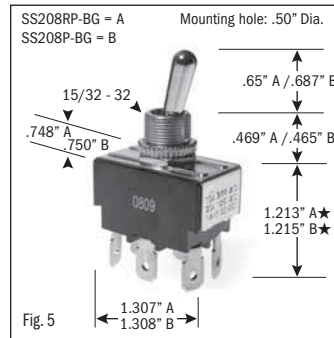
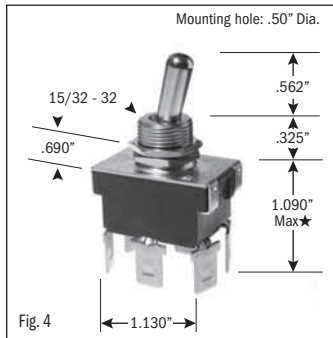
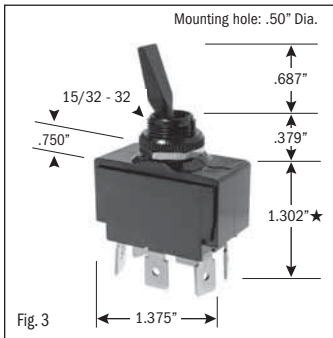
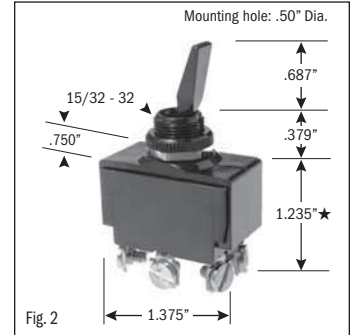
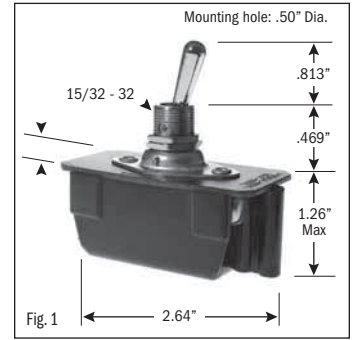
^2 HP 250 VAC/DC; 1 1/2 HP 125 VAC/DC

<sup>1</sup>Separate Female Quick Connect Solderless Insulated Terminals, ST-16, provided with switch when ordered with suffix "BG"

Δ Rated 10 Amps 277 VAC

\*Also rated 1, 2, or 3 phase

continued on page 4



★ Switch height measurement in Figures above, includes body and terminals combined



All specifications and dimensions are for reference only. If specific information is needed and/or of critical nature, contact Selecta Products headquarters for specific information before ordering.

# TOGGLE SWITCHES • UTILITY & HEAVY DUTY

.50" MOUNTING HOLE DIAMETER										
POLES & THROWS	CIRCUIT FUNCTIONS	NOMINAL RATING			ACTUATOR STYLE	ACTUATOR MATERIAL	LIGHTED TOGGLE/TOGGLE COLOR	TERMINATION TYPE	CATALOG NUMBER	FIG. NO.
		AMPS VAC	AMPS VAC	H.P. VAC						
		125	250	125-250						

### MAINTAINED CONTACT

DPST	ON-OFF	20*	2^	BAT	BRASS/NICKEL	NO/NICKEL	SCREW	SS627-BG	1
DPDT	ON-ON	15	10 3/4	FLAT	NYLON	NO/BLACK	SCREW	SS511-BG	2
DPDT	ON-ON	15	10 3/4	FLAT	NYLON	NO/BLACK	.250" SPADE	SS506-BG	3
DPDT	ON-ON	20	10 3/4	BAT	BRASS/NICKEL	NO/NICKEL	.250" SPADE	SS117-BG <sup>1</sup>	4
DPDT	ON-ON	20	10Δ 1 1/2	BAT	BRASS/NICKEL	NO/NICKEL	.250" SPADE	SS208RP-BG	5
DPDT	ON-ON	20		BAT	BRASS/NICKEL	NO/NICKEL	SCREW	SS208R-BG	6
DPDT	ON-OFF-ON	15	10 3/4	BAT	BRASS/NICKEL	NO/NICKEL	.250" SPADE	SS208P-BG	5
DPDT	ON-OFF-ON	15	10 3/4	FLAT	NYLON	NO/BLACK	SCREW	SS512-BG	2
DPDT	ON-OFF-ON	15	10 3/4	FLAT	NYLON	NO/BLACK	.250" SPADE	SS507-BG	3
DPDT	ON-OFF-ON	20	10 3/4	BAT	BRASS/NICKEL	NO/NICKEL	.250" SPADE	SS118-BG <sup>1</sup>	4
DPDT	ON-OFF-ON	20		BAT	BRASS/NICKEL	NO/NICKEL	SCREW	SS208-16-BG	6
3PST	ON-OFF	15	10 3/4 @ 250	BAT	BRASS/NICKEL	NO/NICKEL	SCREW	SS212S-BG <sup>2</sup>	7
3PDT	ON-ON	15	10 3/4 @ 250	BAT	BRASS/NICKEL	NO/NICKEL	SCREW	SS212-BG <sup>2</sup>	8
3PDT	ON-OFF-ON	15	10 3/4 @ 250	BAT	BRASS/NICKEL	NO/NICKEL	SCREW	SS212A-BG <sup>2</sup>	8
4PST	ON-OFF	15	10 3/4 @ 250	BAT	BRASS/NICKEL	NO/NICKEL	SCREW	SS219S-BG <sup>2</sup>	9
4PDT	ON-ON	15	10 3/4 @ 250	BAT	BRASS/NICKEL	NO/NICKEL	SCREW	SS219-BG <sup>2</sup>	10
4PDT	ON-OFF-ON	15	10 3/4 @ 250	BAT	BRASS/NICKEL	NO/NICKEL	SCREW	SS220-BG <sup>2</sup>	10

\*Stated Amperage and voltage also valid for D.C. Rating

^2 HP 250 VAC/DC; 1 1/2 HP 125 VAC/DC

<sup>1</sup>Separate Female Quick Connect Solderless Insulated Terminals, ST-16, provided with switch when ordered with suffix "BG"

Δ Rated 10 Amps 277 VAC

\*Also rated 1, 2, or 3 phase

continued on page 4

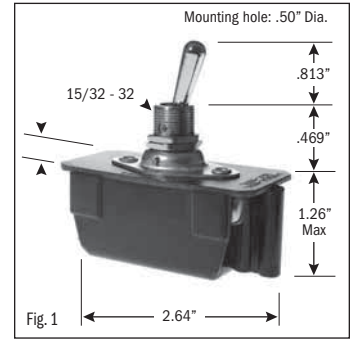


Fig. 1

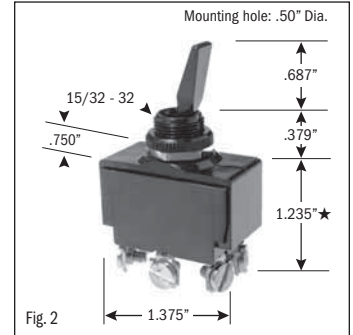


Fig. 2

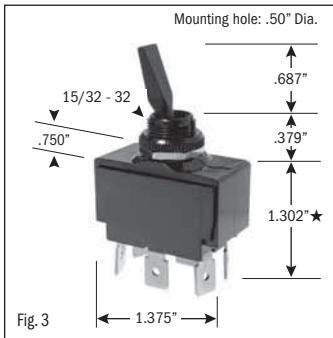


Fig. 3

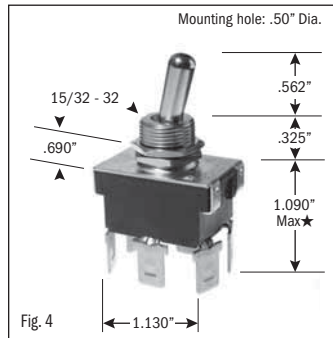


Fig. 4

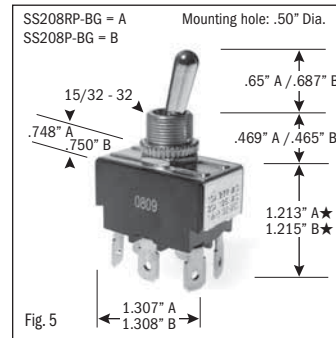


Fig. 5

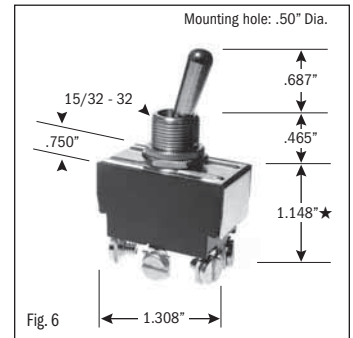


Fig. 6

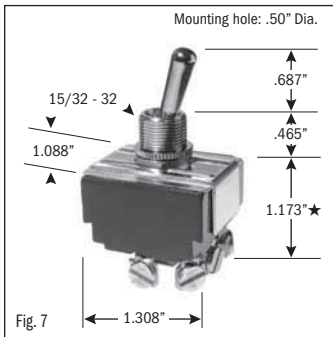


Fig. 7

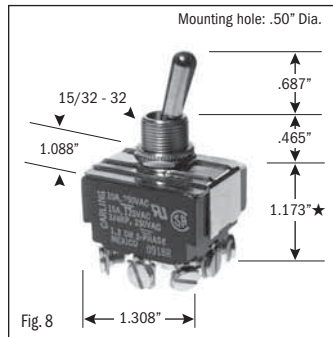


Fig. 8

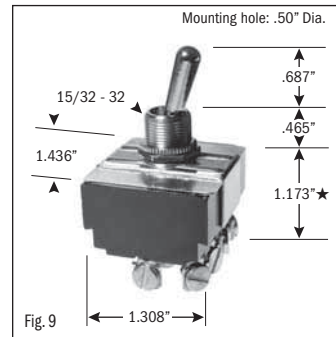


Fig. 9

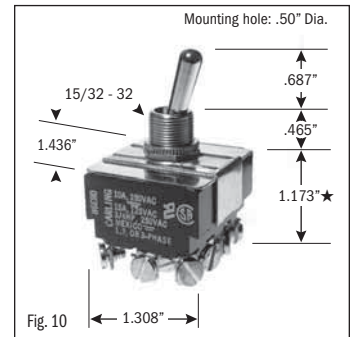


Fig. 10

★ Switch height measurement in Figures above, includes body and terminals combined



All specifications and dimensions are for reference only. If specific information is needed and/or of critical nature, contact Selecta Products headquarters for specific information before ordering.