

TOGGLE SWITCHES • UTILITY & HEAVY DUTY

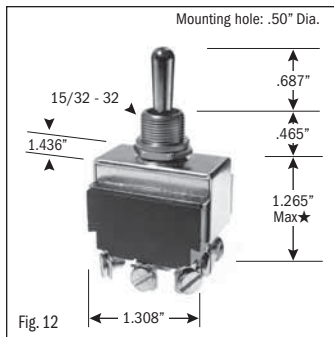
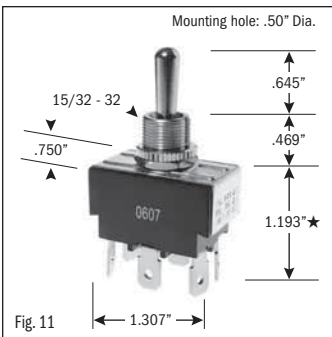
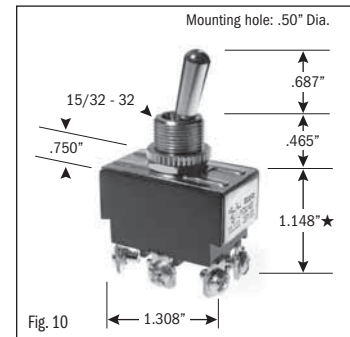
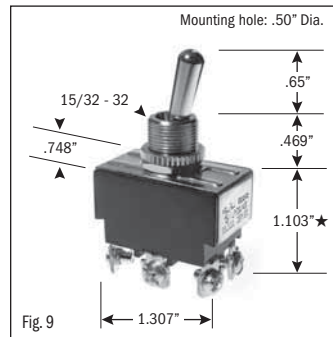
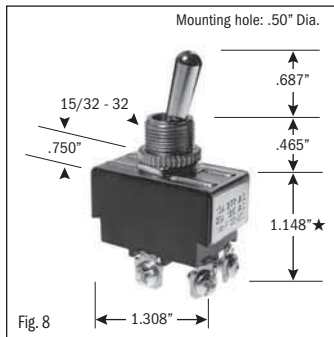
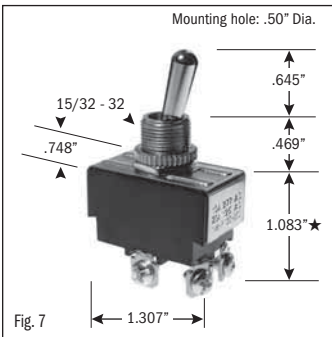
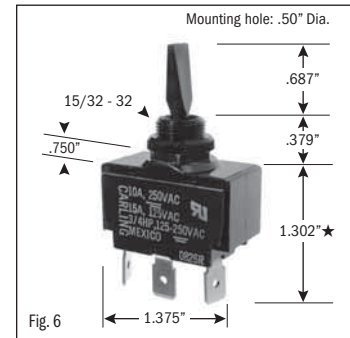
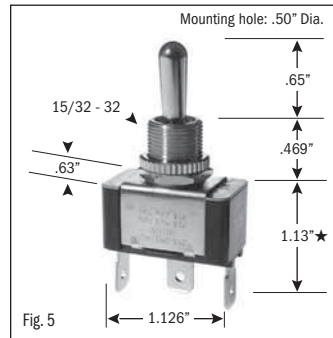
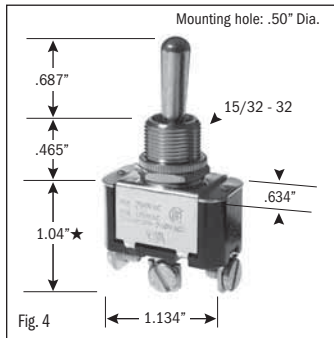
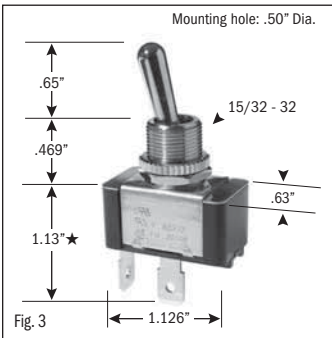
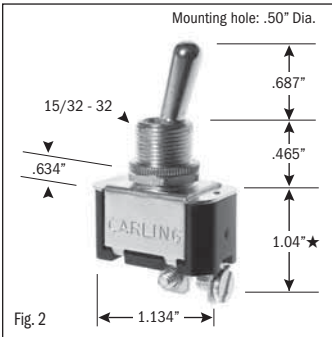
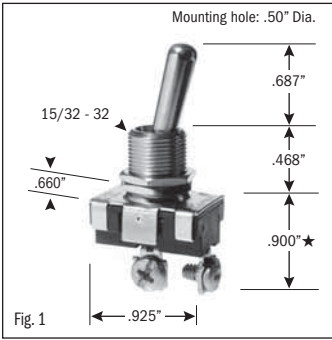
.50" MOUNTING HOLE DIAMETER

POLES & THROWS	CIRCUIT FUNCTIONS	NOMINAL RATING			ACTUATOR STYLE	ACTUATOR MATERIAL	LIGHTED TOGGLE/TOGGLE COLOR	TERMINATION TYPE	CATALOG NUMBER	FIG. NO.
		AMPS VAC	AMPS VAC	H.P. VAC						
		125	250	125-250						

MOMENTARY CONTACT

SPST	OFF-(ON)	6	3		BAT	BRASS/NICKEL	NO/NICKEL	SCREW	SS277S-BG	1
SPST	OFF-(ON)	15	10	3/4	BAT	BRASS/NICKEL	NO/NICKEL	SCREW	SS206A-BG	2
SPST	OFF-(ON)	20	10Δ	3/4	BAT	BRASS/NICKEL	NO/NICKEL	.250" SPADE	SS206AP-BG	3
SPDT	ON-OFF-(ON)	15	10	3/4	BAT	BRASS/NICKEL	NO/NICKEL	SCREW	SS206B-BG	4
SPDT	ON-OFF-(ON)	20	10Δ	3/4	BAT	BRASS/NICKEL	NO/NICKEL	.250" SPADE	SS206BP-BG	5
SPDT	(ON)-OFF-(ON)	15	10	3/4	BAT	BRASS/NICKEL	NO/NICKEL	SCREW	SS206C-BG	4
SPDT	(ON)-OFF-(ON)	15	10	3/4	FLAT	NYLON	NO/BLACK	.250" SPADE	SS504-BG	6
SPDT	(ON)-OFF-(ON)	20	10Δ	3/4	BAT	BRASS/NICKEL	NO/NICKEL	.250" SPADE	SS206CP-BG	5
DPST	OFF-(ON)	20	10Δ	1 1/2	BAT	BRASS/NICKEL	NO/NICKEL	SCREW	SS208A-BG	7
DPST	ON-(OFF)	15	10	3/4	BAT	BRASS/NICKEL	NO/NICKEL	SCREW	SS208D-BG	8
DPDT	ON-(ON)	20	10Δ	1 1/2	BAT	BRASS/NICKEL	NO/NICKEL	SCREW	SS208E-BG	9
DPDT	ON-OFF-(ON)	15	10	3/4	BAT	BRASS/NICKEL	NO/NICKEL	SCREW	SS208B-BG	10
DPDT	(ON)-OFF-(ON)	15	10	3/4	BAT	BRASS/NICKEL	NO/NICKEL	SCREW	SS208C-BG	10
DPDT	(ON)-OFF-(ON)	20	10Δ	1 1/2	BAT	BRASS/NICKEL	NO/NICKEL	.250" SPADE	SS208CP-BG	11
3PDT	(ON)-OFF-(ON)	15	10	3/4	BAT	BRASS/NICKEL	NO/NICKEL	SCREW	SS212C-BG ²	12

Δ Rated 10 Amps 277 VAC
²Also rated 1, 2, or 3 phase



★ Switch height measurement in Figures above, includes body and terminals combined



All specifications and dimensions are for reference only. If specific information is needed and/or of critical nature, contact Selecta Products headquarters for specific information before ordering.

TOGGLE SWITCHES • UTILITY & HEAVY DUTY

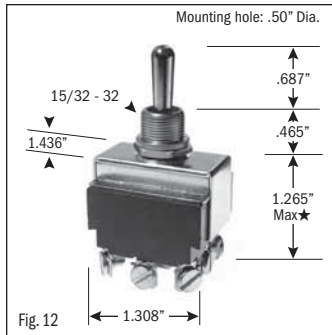
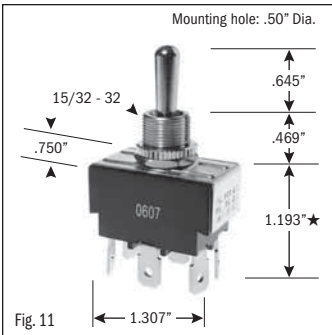
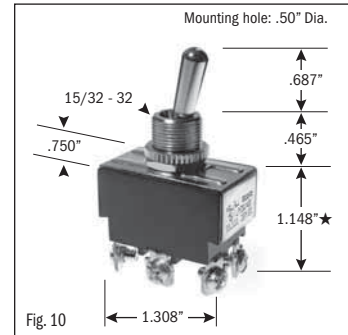
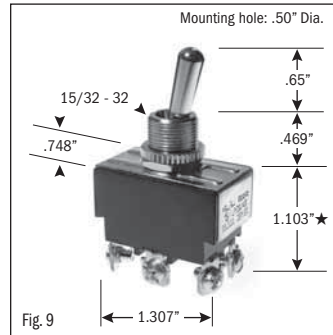
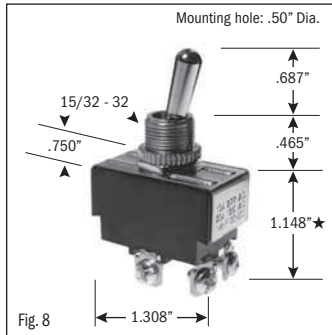
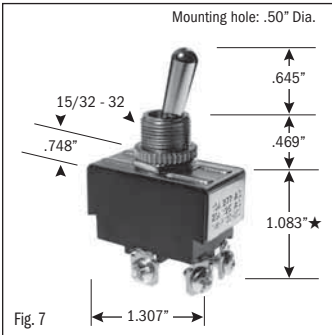
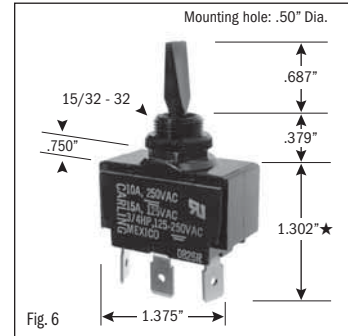
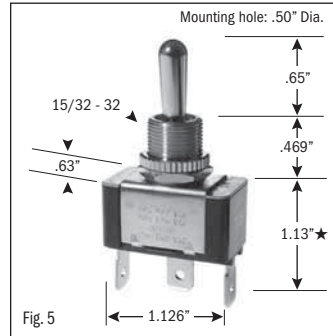
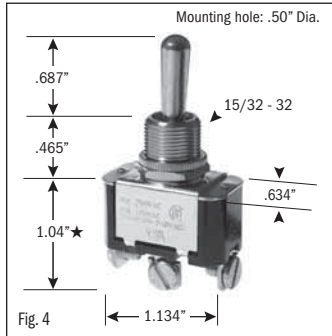
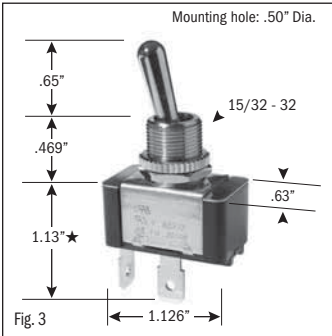
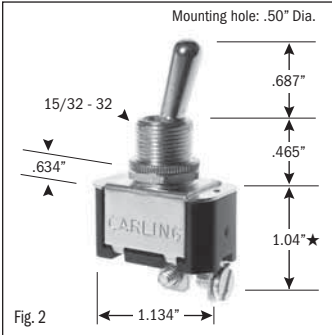
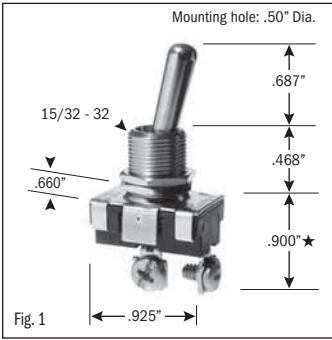
.50" MOUNTING HOLE DIAMETER

POLES & THROWS	CIRCUIT FUNCTIONS	NOMINAL RATING			ACTUATOR STYLE	ACTUATOR MATERIAL	LIGHTED TOGGLE/TOGGLE COLOR	TERMINATION TYPE	CATALOG NUMBER	FIG. NO.
		AMPS VAC	AMPS VAC	H.P. VAC						
		125	250	125-250						

MOMENTARY CONTACT

SPST	OFF-(ON)	6	3		BAT	BRASS/NICKEL	NO/NICKEL	SCREW	SS277S-BG	1
SPST	OFF-(ON)	15	10	3/4	BAT	BRASS/NICKEL	NO/NICKEL	SCREW	SS206A-BG	2
SPST	OFF-(ON)	20	10Δ	3/4	BAT	BRASS/NICKEL	NO/NICKEL	.250" SPADE	SS206AP-BG	3
SPDT	ON-OFF-(ON)	15	10	3/4	BAT	BRASS/NICKEL	NO/NICKEL	SCREW	SS206B-BG	4
SPDT	ON-OFF-(ON)	20	10Δ	3/4	BAT	BRASS/NICKEL	NO/NICKEL	.250" SPADE	SS206BP-BG	5
SPDT	(ON)-OFF-(ON)	15	10	3/4	BAT	BRASS/NICKEL	NO/NICKEL	SCREW	SS206C-BG	4
SPDT	(ON)-OFF-(ON)	15	10	3/4	FLAT	NYLON	NO/BLACK	.250" SPADE	SS504-BG	6
SPDT	(ON)-OFF-(ON)	20	10Δ	3/4	BAT	BRASS/NICKEL	NO/NICKEL	.250" SPADE	SS206CP-BG	5
DPST	OFF-(ON)	20	10Δ	1 1/2	BAT	BRASS/NICKEL	NO/NICKEL	SCREW	SS208A-BG	7
DPST	ON-(OFF)	15	10	3/4	BAT	BRASS/NICKEL	NO/NICKEL	SCREW	SS208D-BG	8
DPDT	ON-(ON)	20	10Δ	1 1/2	BAT	BRASS/NICKEL	NO/NICKEL	SCREW	SS208E-BG	9
DPDT	ON-OFF-(ON)	15	10	3/4	BAT	BRASS/NICKEL	NO/NICKEL	SCREW	SS208B-BG	10
DPDT	(ON)-OFF-(ON)	15	10	3/4	BAT	BRASS/NICKEL	NO/NICKEL	SCREW	SS208C-BG	10
DPDT	(ON)-OFF-(ON)	20	10Δ	1 1/2	BAT	BRASS/NICKEL	NO/NICKEL	.250" SPADE	SS208CP-BG	11
3PDT	(ON)-OFF-(ON)	15	10	3/4	BAT	BRASS/NICKEL	NO/NICKEL	SCREW	SS212C-BG ²	12

Δ Rated 10 Amps 277 VAC
²Also rated 1, 2, or 3 phase



★ Switch height measurement in Figures above, includes body and terminals combined



All specifications and dimensions are for reference only. If specific information is needed and/or of critical nature, contact Selecta Products headquarters for specific information before ordering.