

COOPER LIGHTING - METALUX®

DESCRIPTION

The SNF Series is a functional and multi-purpose narrow strip family that incorporates premium performance and construction durability. Designed with our easy-to-use Flip-Up socket design, the SNF significantly reduces installation time. The performance and application versatility of this series can be increased by incorporating symmetrical or asymmetrical reflectors. The SNF Series can be installed using various mounting methods and numerous options and accessories are available. The small size of the SNF makes it an ideal choice for size-restricted architectural applications. The SNF Series can be the illumination solution in commercial, industrial, retail and residential applications. Fixtures can be used in storage/utility areas,

SPECIFICATION FEATURES

DESCRIPTION (Cont'd)

covers, display cases, shops, task and general area lighting.

A ... Construction

Channel is die formed cold-rolled steel with numerous KOs for ease of installation. Groove for Tong Hanger. End plate quickly converts to snap-in channel connector for continuous row alignment. Lamp holder bracket flips in place. Channel/wireway cover secured with quarter-turn fasteners.

B ... Electrical*

Ballasts are CBM/ETL Class "P" and are positively secured by mounting bolts. Rotor Lock lampholders. UL/CUL listed. Suitable for damp locations.

C ... Finish

Multistage iron phosphate pretreatment ensures maximum bonding and rust inhibitor. Lighting upgrade, baked white enamel finish. Prepainted material is standard, PAF optional.

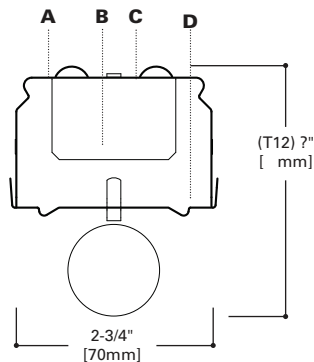
D ... Channel/Wireway Cover

Die formed heavy gauge steel. Tight fit for ease of maintenance. Easily removed without use of tools. Optional reflector available incorporating silver technology enhancements (Silver Lining). Consult Pre Sales Technical Support.

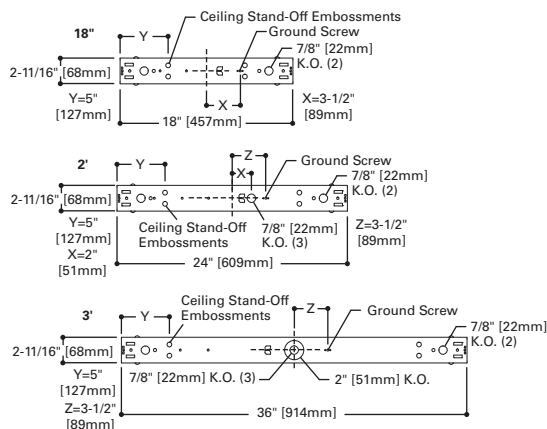


SNF
115
120
130

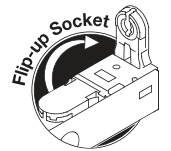
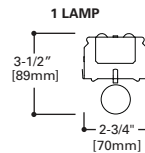
18", 2' or 3' STRIP
1 T12 LAMP
Narrow Striplite



MOUNTING DATA



LAMP CONFIGURATIONS



ENERGY DATA

Input Watts:

ES Ballast & STD Lamps
130 (47)

*Reference the lamp/ballast data in the Technical Section for specific lamp/ballast requirements. ¹ One lamp only.

LAMPS CONTAIN MERCURY. DISPOSE ACCORDING TO LOCAL, STATE OR FEDERAL LAWS

LINEAR DISCONNECT
Safe and convenient means of disconnecting power



ORDERING INFORMATION

SAMPLE NUMBER: SNF-120-LTS-120V-U

Tandem Blank =18", 2' or 3' Series SNF =Commercial Narrow Striplite	Number of Lamps 1 =1 Lamp (Not Included) Wattage 15 =15WT12 (18") 20 =20WT12 (24") 30 =30WT12 (36")	Ballast Start Type LTS =Low Trigger Start (20W only) (120V only) HTS =High Trigger Start (20W only) LRS =Low Rapid Start (30W only) (120V only) HRS =High Rapid Start (30W only) (120V only)	Voltage ⁽¹⁾ 120V =120 Volt 277V =277 Volt Options ⁽¹⁾ GL =Single Element Fuse GM =Double Element Fuse EL4LP =Low Profile Emergency Installed ^{(3), (4)}	Ballast Type ^{(1), (4)} Blank =Standard Magnetic Ballast LE3 =T12 Magnetic Energy Saving EB2 =T12 Electronic Rapid Start. Total Harmonic Distortion < 20% (30 Watt only) No. of Ballast 1	Options RIF1 =Radio Interference Suppressor 6-3/18 SJT-C&P-515P = Cord & Plug (120V) (15 AMP) ⁽⁵⁾ 6-3/18 SJT-C&P L715P = Cord & Plug (277V) (15 AMP) ⁽⁵⁾ PI/CPI =Plug-In Option ⁽⁵⁾ Packaging U =Unit Pack 6B =6 Bulk Packing (96")
--	---	---	---	--	---

NOTES: ⁽¹⁾Products also available in non-US voltages and frequencies for international markets. ⁽²⁾For SilverLining reflector add SS in Catalog Number, Example: SNF-ASY-SS-4. ⁽³⁾Not available for 2' version. ⁽⁴⁾Maximum width clearance for ballast in channel is 2-7/32". ⁽⁵⁾Socket brackets left uninstalled.

Specifications & dimensions subject to change without notice. Consult your Cooper Lighting Representative for availability and ordering information.

ACCESSORIES (Order Separately)

AYC-Chain/Set=36" Chain Hanger (Use 1 Set Per Fixture)
SCF=Fixed Stem Set (Specify Length)
SCS=Swivel Stem Set (Specify Length)
SCA=Adjustable 48" Stem Set
EYE-CHAIN/SET-B=Eye Bolt Chain (Use 1 Set Per Fixture)
SNF-ASY-3⁽²⁾=3" Asymmetric Reflector (Specify 18", 2' or 3')
SNF-SYM-3⁽²⁾=6" Symmetric Reflector (Specify 18", 2' or 3')
SNF-REV-3⁽²⁾=Reverse Asymmetric Reflector (Specify 18", 2' or 3')
WG/SNF-2FT=2' Wire Guard
WG/SNF-3FT=3' Wire Guard
A1B/Spacer-U=Spacer 1-1/2" to 2-1/2" from ceiling (Use 2 Per Fixture)
TOGGLE=Single Toggle NO. 2 (Specify Length)
Y-TOGGLE=Y Toggle NO. 2 (Specify Length)

(Additional Accessories Available. See Options and Accessories Section.)

SHIPPING INFORMATION

Catalog No.	Wt.
SNF-115	12 lbs.
SNF-120	12 lbs.
SNF-130	12 lbs.

COOPER LIGHTING - METALUX®

DESCRIPTION

The SNF Series is a functional and multi-purpose narrow strip family that incorporates premium performance and construction durability. Designed with our easy-to-use Flip-Up socket design, the SNF significantly reduces installation time. The performance and application versatility of this series can be increased by incorporating symmetrical or asymmetrical reflectors. The SNF Series can be installed using various mounting methods and numerous options and accessories are available. The small size of the SNF makes it an ideal choice for size-restricted architectural applications. The SNF Series can be the illumination solution in commercial, industrial, retail and residential applications. Fixtures can be used in storage/utility areas,

SPECIFICATION FEATURES

DESCRIPTION (Cont'd)

covers, display cases, shops, task and general area lighting.

A ... Construction

Channel is die formed cold-rolled steel with numerous KOs for ease of installation. Groove for Tong Hanger. End plate quickly converts to snap-in channel connector for continuous row alignment. Lamp holder bracket flips in place. Channel/wireway cover secured with quarter-turn fasteners.

B ... Electrical*

Ballasts are CBM/ETL Class "P" and are positively secured by mounting bolts. Rotor Lock lampholders. UL/CUL listed. Suitable for damp locations.

C ... Finish

Multistage iron phosphate pretreatment ensures maximum bonding and rust inhibitor. Lighting upgrade, baked white enamel finish. Prepainted material is standard, PAF optional.

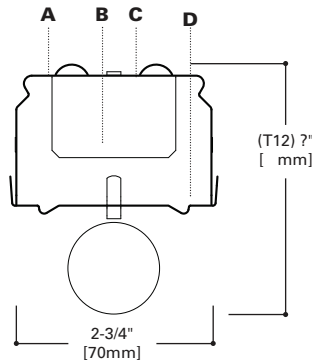
D ... Channel/Wireway Cover

Die formed heavy gauge steel. Tight fit for ease of maintenance. Easily removed without use of tools. Optional reflector available incorporating silver technology enhancements (Silver Lining). Consult Pre Sales Technical Support.

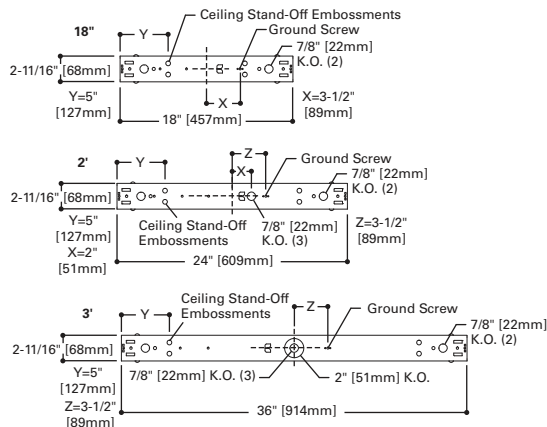


SNF
115
120
130

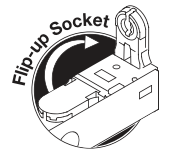
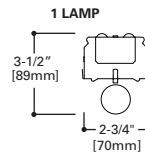
18", 2' or 3' STRIP
1 T12 LAMP
Narrow Striplite



MOUNTING DATA



LAMP CONFIGURATIONS



ENERGY DATA

Input Watts:

ES Ballast & STD Lamps
130 (47)

*Reference the lamp/ballast data in the Technical Section for specific lamp/ballast requirements. ¹ One lamp only.

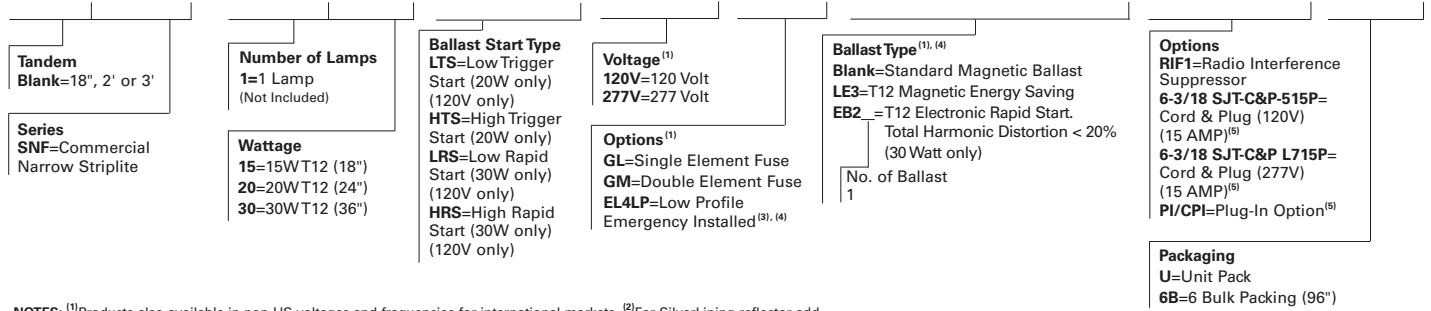
LAMPS CONTAIN MERCURY. DISPOSE ACCORDING TO LOCAL, STATE OR FEDERAL LAWS

LINEAR DISCONNECT
Safe and convenient means of disconnecting power



ORDERING INFORMATION

SAMPLE NUMBER: SNF-120-LTS-120V-U



NOTES: (1)Products also available in non-US voltages and frequencies for international markets. (2)For SilverLining reflector add SS in Catalog Number, Example: SNF-ASY-SS-4. (3)Not available for 2' version. (4)Maximum width clearance for ballast in channel is 2-7/32". (5)Socket brackets left uninstalled.

Specifications & dimensions subject to change without notice. Consult your Cooper Lighting Representative for availability and ordering information.

ACCESSORIES (Order Separately)

- AYC-Chain/Set=36" Chain Hanger (Use 1 Set Per Fixture)
- SCF=Fixed Stem Set (Specify Length)
- SCS=Swivel Stem Set (Specify Length)
- SCA=Adjustable 48" Stem Set
- EYE-CHAIN/SET-B=Eye Bolt Chain (Use 1 Set Per Fixture)
- SNF-ASY-3(2)=3" Asymmetric Reflector (Specify 18", 2' or 3')
- SNF-SYM-3(2)=6" Symmetric Reflector (Specify 18", 2' or 3')
- SNF-REV-3(2)=Reverse Asymmetric Reflector (Specify 18", 2' or 3')
- WG/SNF-2FT=2' Wire Guard
- WG/SNF-3FT=3' Wire Guard
- A1B/Spacer-U=Spacer 1-1/2" to 2-1/2" from ceiling (Use 2 Per Fixture)
- TOGGLE=Single Toggle NO. 2 (Specify Length)
- Y-TOGGLE=Y Toggle NO. 2 (Specify Length)

(Additional Accessories Available. See Options and Accessories Section.)

SHIPPING INFORMATION

Catalog No.	Wt.
SNF-115	12 lbs.
SNF-120	12 lbs.
SNF-130	12 lbs.