



**CW Lighting**  
Houston, TX 77040  
713.690.9320

**Date: Apr 22, 2024**

CW LIGHTING, LLC  
7701 West Little York Rd, Suite 300  
HOUSTON TX 77040  
Phone: (713) 690-9320  
Fax: (713) 690-4805

Job Name  
**Elliott - Stock Luminaires - SF35-SCT-K**  
CWL24-100713

Bid Date  
Apr 22, 2024

Submittal Date  
Apr 22, 2024

*Distributor:*  
ELLIOTT - HOUSTON  
7929 N Sam Houston Pkwy W  
Houston TX 77064



CW Lighting  
Houston, TX 77040  
713.690.9320

# Transmittal

CW LIGHTING, LLC  
7701 West Little York Rd, Suite 300  
HOUSTON TX 77040  
Phone: (713) 690-9320  
From: MICHAEL THOMPSON

**Project** Elliott - Stock Luminaires - SF35-SCT-K  
**Quote#** CWL24-100713

**Location**  
**To** ELLIOTT ELECTRIC  
7929 N Sam Houston Pkwy W  
SUITE 200  
Houston TX 77064  
Contact:

ATTACHED WE ARE SENDING YOU 1 COPY OF THE FOLLOWING ITEM:

- |                                   |  |        |
|-----------------------------------|--|--------|
| <input type="checkbox"/> Drawings | <input type="checkbox"/> Specifications        | Other: |
| <input type="checkbox"/> Prints   | <input type="checkbox"/> Information           |        |
| <input type="checkbox"/> Plans    | <input checked="" type="checkbox"/> Submittals |        |

THESE ARE TRANSMITTED FOR:

- |  |   |                                 |
|--|---|---------------------------------|
| <input type="checkbox"/> Prior Approval        | <input type="checkbox"/> Resubmittal for Approval | <input type="checkbox"/> Record |
| <input type="checkbox"/> Approval              | <input type="checkbox"/> Corrections              | Bids due on:                    |
| <input type="checkbox"/> Approval as Submitted | <input checked="" type="checkbox"/> Your Use      | Other:                          |
| <input type="checkbox"/> Approval as Noted     | <input type="checkbox"/> Review and Comment       |                                 |

Type	MFG	Part
	SIGNIFY - STONCO	SF35-SCT-K-G2-10-PCB-BZ

**Job Name:**Elliott - Stock Luminaires - SF35-SCT-K  
Distributor: ELLIOTT - HOUSTON (Houston)**Catalog Number:**

SF35-SCT-K-G2-10-PCB-BZ

**Type:**

CWL24-100713

Notes:

# Stonco

by Signify

## Floodlights

SlimFlood dual select

SF15/35/60/100/150/205/300



The **SlimFlood dual select** offers energy saving LED technology along with field selectable color and wattage. Versatile and stylish with seven different sizes to choose from, provides application flexibility for ground, wall or pole mounting installations. Ideal for sign lighting, building facades, security lighting, and general purpose floodlighting applications.

Project: \_\_\_\_\_  
Location: \_\_\_\_\_  
Cat.No: \_\_\_\_\_  
Type: \_\_\_\_\_  
Lamps: \_\_\_\_\_ Qty: \_\_\_\_\_  
Notes: \_\_\_\_\_

### Ordering guide

example: SF35-SCT-K-G2-10-PCB-BZ

Luminaire	CCT	Mounting	Generation	Voltage	Options	Finish
<b>SF35</b>	<b>SCT</b>	<b>K</b>	<b>G2</b>	<b>10</b>	<b>PCB</b>	<b>BZ</b>
<b>SF15</b> SlimFlood S 15W	<b>SCT</b> CCT Selectable (3000K, 4000K, 5000K)	<b>K</b> Knuckle Mount <sup>1</sup>	<b>G2</b> Gen 2	<b>10</b> 120-347V	<b>PCB</b> Photocell <sup>4</sup> (SF35, SF60, SF100, SF150 only)	<b>BZ</b> Bronze
<b>SF35</b> SlimFlood DS 15-25-35W		<b>Y</b> Yoke Mount <sup>1</sup> (SF15, SF35, and SF60 only)				
<b>SF60</b> SlimFlood DS 15-35-60W		<b>S</b> Slipfitter Mount <sup>2</sup>				
<b>SF100</b> SlimFlood DS 60-80-100W		<b>T</b> Trunnion Mount <sup>2</sup> (SF100, SF150, SF205, and SF300 only)				
<b>SF150</b> SlimFlood DS 100-120-150W						
<b>SF205</b> SlimFlood DS 120-150-205W						
<b>SF300</b> SlimFlood DS 205-255-300W		- Photocell Ready, Photocell sold separately as SFW205-300-PCB <sup>5</sup> (SF205 and SF300 only)				

- Knuckle & Yoke mount options standard for SF15, SF35 and SF60 only.
- Slipfitter & Trunnion mount options for SF100, SF150, SF205 and SF300 only.
- Photocell option not available for SF15.
- Photocell is included as standard for SF35, SF60, SF100, SF150 with an ON/OFF switch.
- Photocell option can be purchased as a separate accessory for SF205 & SF300 use code SF205-300-PCB.

### LED Wattage and Lumen Values

Ordering Guide	Color Temp. (K) <sup>1</sup>	Average System Wattage <sup>3</sup>	Lumen Output <sup>3,4</sup>	Efficacy (LPW)
<b>SF15</b>	4000	15W <sup>2</sup>	2175lm	145
<b>SF35</b>	4000	15/25/35W	2370/3800/5075lm	145
<b>SF60</b>	4000	15/35/60W	2370/5320/8700lm	145
<b>SF100</b>	4000	60/80/100W	9540/12320/14800lm	145
<b>SF150</b>	4000	100/120/150W	15800/18240/21750lm	145
<b>SF205</b>	4000	120/150/205W	18600/22500/29725lm	145
<b>SF300</b>	4000	205/255/300W	31775/38250/43500lm	145

- Color temperature factory setting is 4000K.
- Wattage/Lumen Output factory setting set to mid power option.
- SF15 is none wattage selectable.
- Wattage and lumen output may vary by +/-10% due to actual input voltage.
- Lumen values based on photometric tests performed in compliance with IESNA LM-79.





# SF15/35/60/100/150/205/300

## SlimFlood LED dual select 15-300W

Dimensions: 15-60W

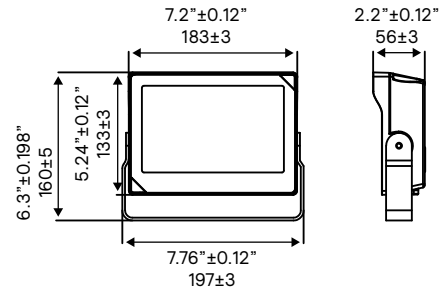
### Knuckle

### Yoke



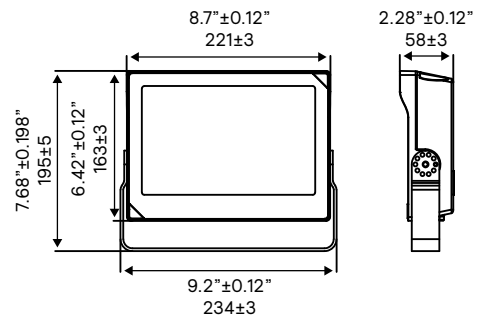
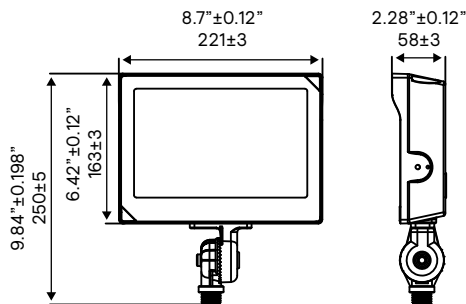
**15W Knuckle**  
Slim Flood 15W/3CCT/UN3/KN

**15W Yoke**  
Slim Flood 15W/3CCT/UN3/YK



**35W Knuckle**  
Slim Flood 15-25-35W/3CCT/UN3/KN/PCB

**35W Yoke**  
Slim Flood 15-25-35W/3CCT/UN3/YK/PCB



**60W Knuckle**  
Slim Flood 15-35-60W/3CCT/UN3/KN/PCB

**60W Yoke**  
Slim Flood 15-35-60W/3CCT/UN3/YK/PCB



**Job Name:**

Elliott - Stock Luminaires - SF35-SCT-K  
Distributor: ELLIOTT - HOUSTON (Houston)

**Catalog Number:**

SF35-SCT-K-G2-10-PCB-BZ

Notes:

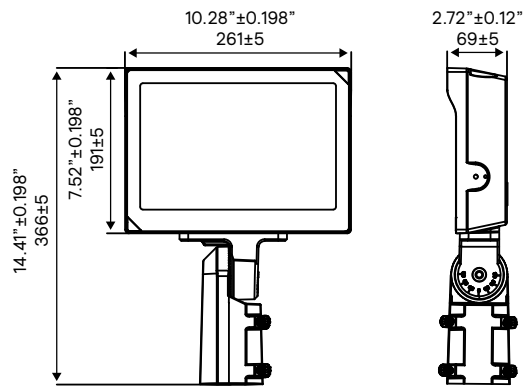
**Type:**

CWL24-100713

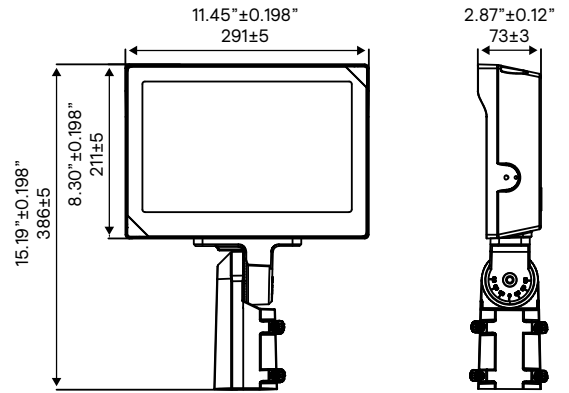
# SF15/35/60/100/150/205/300

## SlimFlood LED dual select 15-300W

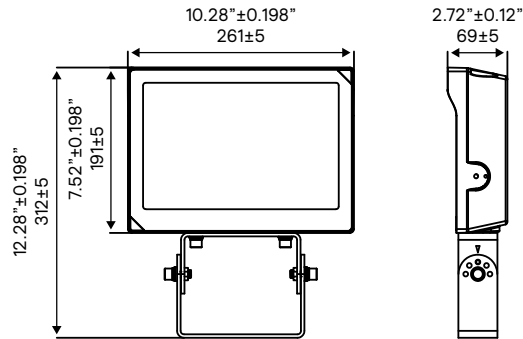
**Dimensions (cont'd): 100-150W**



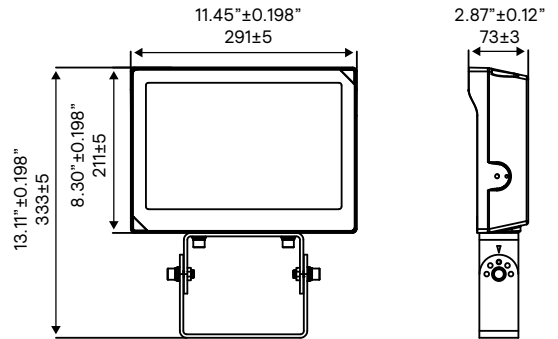
**100W Slipfitter**  
Slim Flood 60-80-100W/3CCT/UN3/SF/PCB



**150W Slipfitter**  
Slim Flood 100-120-150W/3CCT/UN3/SF/PCB



**100W Trunion**  
Slim Flood 60-80-100W/3CCT/UN3/TN/PCB



**150W Trunion**  
Slim Flood 100-120-150W/3CCT/UN3/TN/PCB



**Job Name:**

Elliott - Stock Luminaires - SF35-SCT-K  
Distributor: ELLIOTT - HOUSTON (Houston)

**Catalog Number:**

SF35-SCT-K-G2-10-PCB-BZ

Notes:

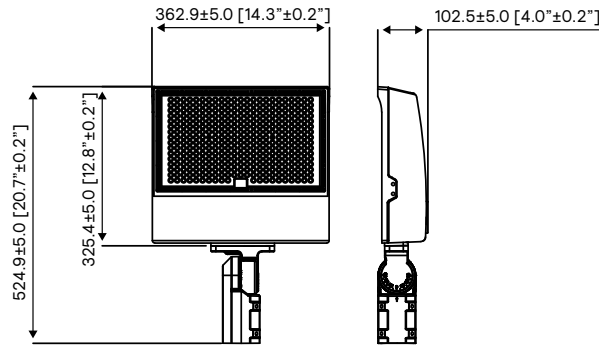
**Type:**

CWL24-100713

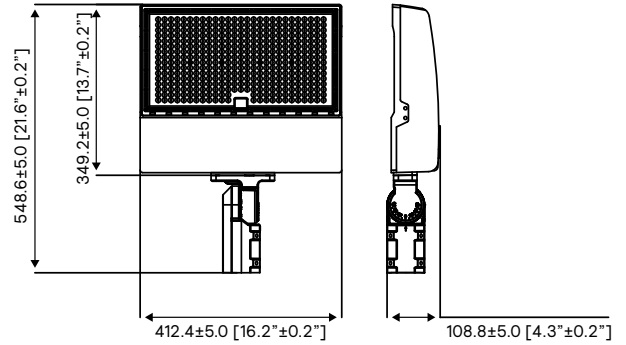
# SF15/35/60/100/150/205/300

## SlimFlood LED dual select 15-300W

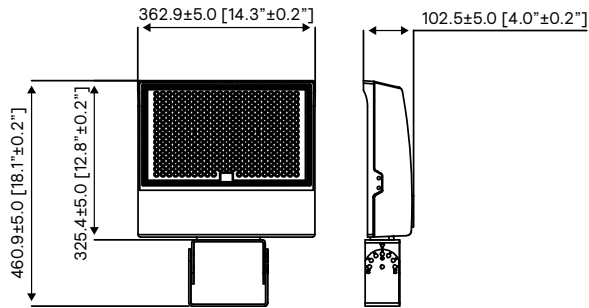
**Dimensions (cont'd): 205-300W**



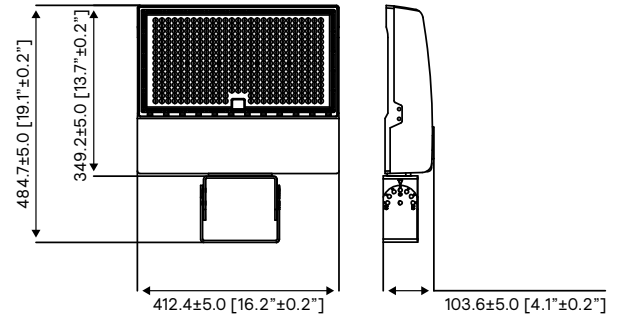
**205W Slipfitter**  
Slim Flood 120-150-205W/3CCT/UN3/SF



**300W Slipfitter**  
Slim Flood 205-255-300W/3CCT/UN3/SF



**205W Trunion**  
Slim Flood 120-150-205W/3CCT/UN3/TN



**300W Trunion**  
Slim Flood 205-255-300W/3CCT/UN3/TN

**Job Name:**Elliott - Stock Luminaires - SF35-SCT-K  
Distributor: ELLIOTT - HOUSTON (Houston)**Catalog Number:**

SF35-SCT-K-G2-10-PCB-BZ

**Notes:****Type:**

CWL24-100713

# SF15/35/60/100/150/205/300

## SlimFlood LED dual select 15-300W

### Specifications

#### Housing and Heat Sink

Single piece aluminum alloy die cast housing.

#### Mounting

Suitable for mounting within 4' (1.2m) of the ground.

**Knuckle (K, see Ordering guide):** Integral die cast Aluminum adjustable knuckle (K) with locking teeth and bolt to lock in aiming angle. Ships fully assembled, ready to install. Knuckle mount option standard for SF15, SF35 and SF60 only.

**Yoke (Y, see Ordering guide):** Integral structural steel adjustable Yoke (Y) for direct surface mounting, painted for resistance to corrosion, with bolt to lock in aiming angle. Ships fully assembled, ready to install. Yoke mount option standard for SF15, SF35 and SF60 only.

**Trunnion (T, see Ordering guide):** Integral structural steel adjustable trunnion (T) for direct surface mounting, painted for resistance to corrosion, with bolt to lock in aiming angle. Ships fully assembled, ready to install. Trunnion mount option for SF100, SF150, SF205 and SF300 only.

**Slipfitter (S, see Ordering guide):** Integral die cast Aluminum adjustable slipfitter (S) includes set screws for securing luminaire to tenon, with aiming angle markings and bolt to lock in aiming angle. Ships fully assembled, ready to install. Slipfitter mount option for SF100, SF150, SF205 and SF300 only.

#### Lens

15W - 150W Tempered glass lens  
205W - 300W Polycarbonate lens

#### Light Engine

Composed of 3 main components: LED Module / Optical System / Driver. Electrical components are RoHS compliant.

#### Color Temperature

All luminaires are provided with three field selectable color temperature options:  
3000K/4000K (Default)/5000K.

#### Wattage

SlimFlood dual select is provided with wattage field adjustable options.

**SF15:** 15W(Default);  
**SF35:** 15-25(Default)-35W;  
**SF60:** 15-35(Default)-60W;  
**SF100:** 60-80(Default)-100W;  
**SF150:** 100-120(Default)-150W;  
**SF205:** 120-150(Default)-205W;  
**SF300:** 205-255(Default)-300W.

#### Driver

Slim Flood dual select operates with a 120-347V; 50/60Hz Class 1 or Class 2 driver. All configurations operate with 0-10V dimming.

#### Other Integrated Features

**Photocell:** Included as standard for SF35, SF60, SF100, SF150 with an ON/OFF switch in the luminaire and can be purchased as a separate field installable accessory for SF205 & SF300 using code SF205-300-PCB.

**Surge Protection:** Each luminaire is provided as standard with surge protection. 15-60W: 2.5kV; 100-150W: 4kV; 205-300W: 6kV.

**Beam Angle:** 15-150W and 300W - 110°; 205W - 100°; Tolerance: +/-15%.

#### Finish

Fade and abrasion resistant powdercoat bronze finish (RAL 8019).

#### Certifications and Compliance

cULus Listed for Canada and USA. DLC 5.1 Premium. Entire luminaire is rated for operation in ambient temperature of -40°C (-40°F) up to +50°C (+122°F)

#### IP65 Rating

Entire luminaire including light engine and driver/ electrical compartment IP65 rated in all aiming positions including upward aiming floodlighting applications.

#### Limited Warranty

5-year limited warranty. See [signify.com/warranties](http://signify.com/warranties) for details and restrictions. Visit our eCatalog or contact your local sales representative for more information.

### Predicted Lumen Depreciation Data

Ambient Temperature °C	L <sub>70</sub> per TM21 <sup>1,2</sup>
25°C	50,000hrs

- L<sub>70</sub> is the predicted time when LED performance depreciates to 70% of initial lumen output.
- Calculated per IESNA TM 21-11. Published L<sub>70</sub> hours limited to 6 times actual LED test hours.



© 2023 Signify Holding. All rights reserved. The information provided herein is subject to change, without notice. Signify does not give any representation or warranty as to the accuracy or completeness of the information included herein and shall not be liable for any action in reliance thereon. The information presented in this document is not intended as any commercial offer and does not form part of any quotation or contract, unless otherwise agreed by Signify.



CW Lighting  
Houston, TX 77040  
713.690.9320

**Job Name:**

Elliott - Stock Luminaires - SF35-SCT-K  
Distributor: ELLIOTT - HOUSTON (Houston)

**Catalog Number:**

SF35-SCT-K-G2-10-PCB-BZ

Notes:

**Type:**

CWL24-100713

# Stonco KEENE

by Signify

## Floodlighting

### Slim Flood

SF15-SCT-K-G2-10-BZ  
SF15-SCT-Y-G2-10-BZ  
SF35-SCT-K-G2-10-PCB-BZ  
SF35-SCT-Y-G2-10-PCB-BZ  
SF60-SCT-K-G2-10-PCB-BZ  
SF60-SCT-Y-G2-10-PCB-BZ  
SF100-SCT-S-G2-10-PCB-BZ

SF100-SCT-T-G2-10-PCB-BZ  
SF150-SCT-S-G2-10-PCB-BZ  
SF150-SCT-T-G2-10-PCB-BZ  
SF205-SCT-S-G2-10-BZ  
SF205-SCT-T-G2-10-BZ  
SF300-SCT-S-G2-10-BZ  
SF300-SCT-T-G2-10-BZ

## INSTALLATION INSTRUCTIONS

### IMPORTANT

Before assembling your fixture, please make sure that you carefully read through this instruction sheet.

- Proper grounding is required to ensure personal safety.
- Consider having your fixture installed by a qualified licensed electrician.
- Keep these instructions.

### CAUTIONS

1. Do not use an electric generator to test LED fixtures.
2. Please abide by related country, regional and local law and regulations when install this fixture.
3. Please turn off the power before installation or maintenance.
4. Proper earth grounding is required to ensure safety.

### NOTICE

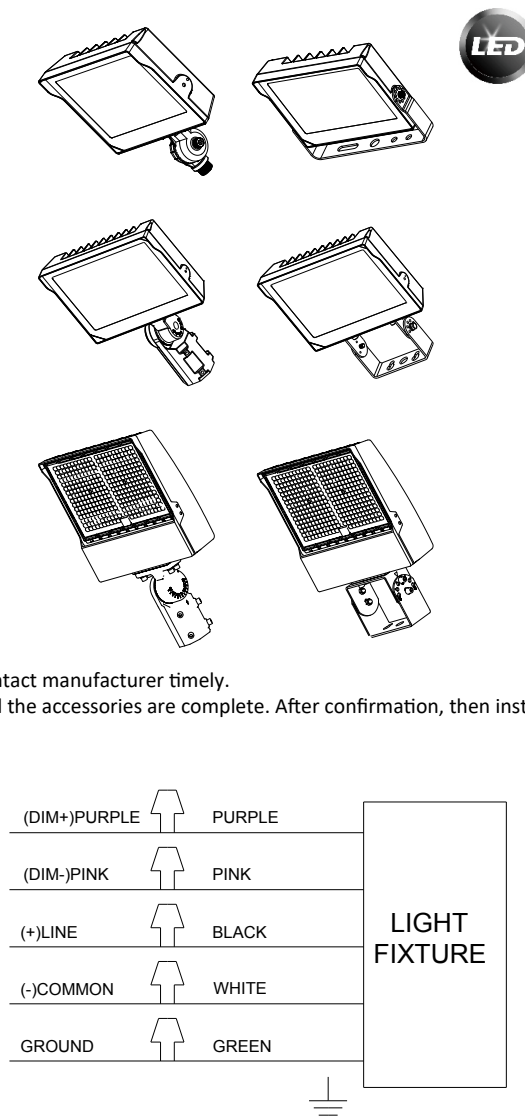
1. To avoid possibility of electrical shock or fire, the installation personnel must have professional electric knowledge.
2. Please wear gloves to avoid injury before installation.
3. If any smoke or spark of the wire happened, please turn off the power immediately and notify relevant personnel.

### ATTENTION

1. Please check if there is any damage during shipping. If so, please contact manufacturer timely.
2. Please read the installation instruction carefully to check whether all the accessories are complete. After confirmation, then install the fixture according to installation steps.

### WIRING

- Make sure that the mains voltage is appropriate and conforms with the luminaire driver.
- Connect fixture **GROUND** (green) wire to power supply **GROUND** (green) wire.
- Connect fixture **WHITE** wire to power supply (-) **COMMON** wire.
- Connect fixture **BLACK** wire to power supply (+) **LINE** wire.
- Connect fixture **PURPLE** wire to power supply **DIM+** wire.
- Connect fixture **PINK** wire to power supply **DIM-** wire.



CONSULT A QUALIFIED ELECTRICIAN TO ENSURE CORRECT BRANCH CIRCUIT CONDUCTOR  
CONSULTEZ UN ÉLECTRICIEN QUALIFIÉ POUR VOUS ASSURER QUE LES CONDUCTEURS DE LA DÉRIVATION  
SONT ADÉQUATS





**Job Name:**

Elliott - Stock Luminaires - SF35-SCT-K  
Distributor: ELLIOTT - HOUSTON (Houston)

**Catalog Number:**

SF35-SCT-K-G2-10-PCB-BZ

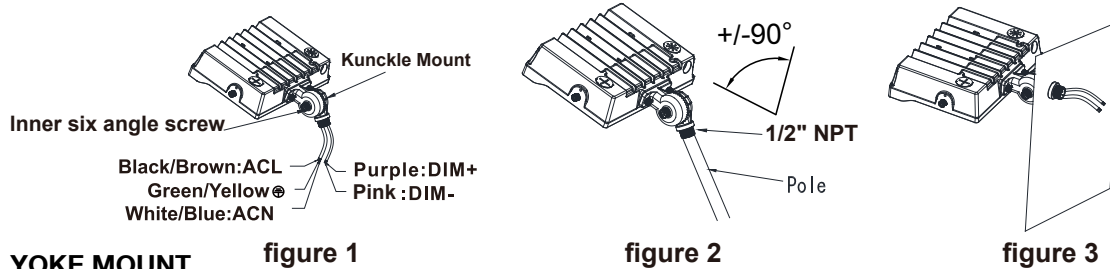
**Notes:****Type:**

CWL24-100713

**KNUCKLE MOUNT**

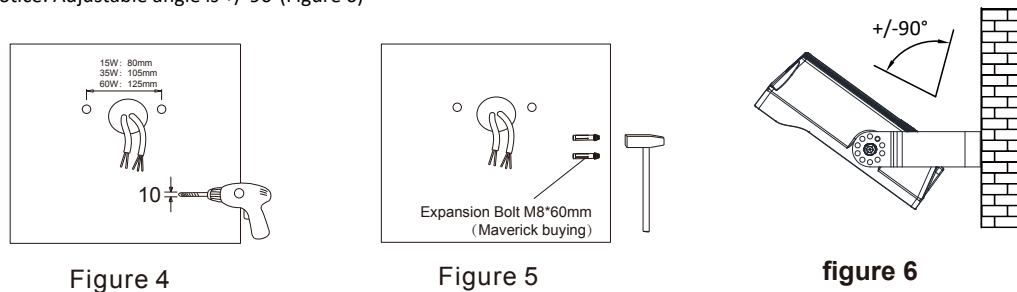
1. Take the fixture out of package;
2. Finish the wire connection according to the right mode of connection (pay attention to positive wire, negative wire, and ground wire), (figure 1), and then put wire into lamp pole;(figure 2)
3. Loosen screws; Adjust fixture angles as per actual demands and tighten screws later;Angles of the fixture is adjustable (pass the bracket through mounting surface, fix it with screws, then connect the wires as per proper wiring requirements). (figure 3)

Notice: Adjustable angle is  $\pm 90^\circ$ (Figure 2)

**YOKE MOUNT**

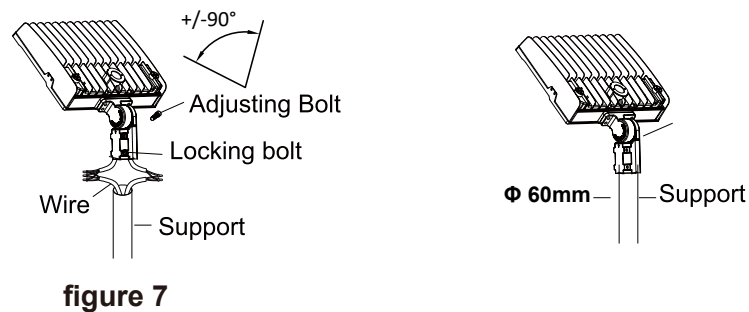
1. Drill holes on the wall as shown. (Figure 4)
2. Knock the expansion bolts into the wall.(Figure 5)
3. Connect the fixture to the bracket and tighten the screws; connect the wires properly and put them into junction box.(Figure 5)

Notice: Adjustable angle is  $\pm 90^\circ$ (Figure 6)

**SLIPFITTER MOUNT**

1. Connect the wire correctly and put the wire into pole. Then fasten the locking bolts between slip fitter and the pole.(Figure 7)
2. Loosen the fixing bolts and adjusting bolts,align the fixture to required angle.Tighten adjusting bolts and fixing bolts(provided) after the angle is confirmed.(Figure 8)

Notice: Adjustable angle is  $\pm 90^\circ$  (Figure 7)





**CW Lighting**  
Houston, TX 77040  
713.690.9320

**Job Name:**

Elliott - Stock Luminaires - SF35-SCT-K  
Distributor: ELLIOTT - HOUSTON (Houston)

**Catalog Number:**

SF35-SCT-K-G2-10-PCB-BZ

Notes:

**Type:**

CWL24-100713

**TRUNNION MOUNT**

1. Drill holes on the wall as shown.(Figure 9)
  2. Knock the expansion bolts (provided) into the wall.(Figure 10)
  3. Connect the fixture to the bracket and tighten the screws; connect the wires properly.(Figure 11)
- Notice:Adjustable angle is +/-90°(Figure 11)



figure 9

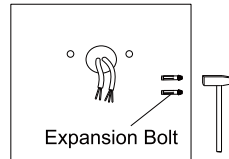


figure 10

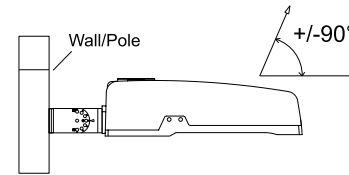


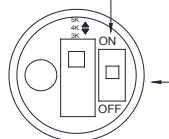
figure 11

**PHOTOCELL AND FUNCTION FOR 15-150W**

15W 35W 60W 100W 150W(Integrate in the fixture)

1. Open the metal plug and plastic plug counterclockwise with a screw driver (figure 12) , then slide the switch up and down to adjust the power controller,CCT controller or photocell controller in your demand. ( figure 13,14,16)

ON= Photocell on  
OFF=Photocell off



color temperature and photocell controller

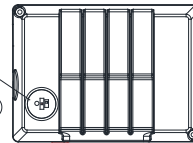


figure 13

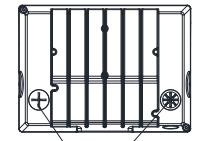
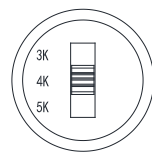


figure 12

PRODUCT CODE
SF15-SCT-K-G2-10-BZ
SF15-SCT-Y-G2-10-BZ



color temperature controller

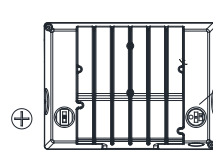
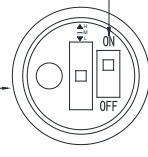


figure 14

ON= Photocell on  
OFF=Photocell off



photocell and power controller

PRODUCT CODE
SF35-SCT-K-G2-10-PCB-BZ
SF35-SCT-Y-G2-10-PCB-BZ
SF60-SCT-K-G2-10-PCB-BZ
SF60-SCT-Y-G2-10-PCB-BZ
SF100-SCT-S-G2-10-PCB-BZ
SF100-SCT-T-G2-10-PCB-BZ
SF150-SCT-S-G2-10-PCB-BZ
SF150-SCT-T-G2-10-PCB-BZ





**CW Lighting**  
Houston, TX 77040  
713.690.9320

**Job Name:**

Elliott - Stock Luminaires - SF35-SCT-K  
Distributor: ELLIOTT - HOUSTON (Houston)

**Catalog Number:**  
SF35-SCT-K-G2-10-PCB-BZ

Notes:

**Type:**

CWL24-100713

**PHOTOCELL AND FUNCTION FOR 205W & 300W**

**Attention:**When the photocell function is required, it should be installed in the back of the fixture, please make sure to remove the shorting cap after installation, since if it is not removed, this will prevent photocell to work. Photocell is sold separately for 205W&300W.(figure 15 )

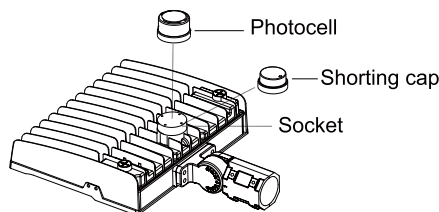


figure 15

**PHOTOCELL(SOLD SEPARATELY)**

ORDER CODE	DESCRIPTION
SF205-300-PCB	Photocell for 205W & 300W

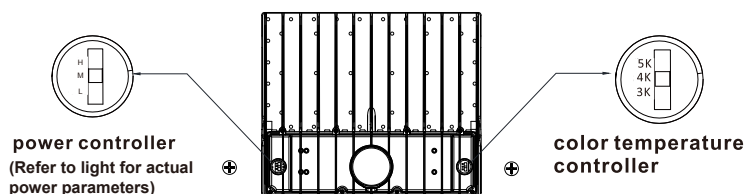


figure 16

PRODUCT CODE
SF205-SCT-S-G2-10-PCB-BZ
SF205-SCT-T-G2-10-PCB-BZ
SF300-SCT-S-G2-10-PCB-BZ
SF300-SCT-T-G2-10-PCB-BZ

2. After adjusting the required control function,tighten the metal plug and the plastic plug clockwise.(figure 17 )

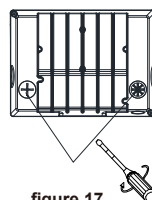


figure 17

PRODUCT CODE	POWER	CCT	PHOTOCELL
SF15-SCT-K-G2-10-BZ	NA	3K=3000K 4K=4000K 5K=5000K	ON= Photocell on OFF=Photocell off
SF15-SCT-Y-G2-10-BZ			
SF35-SCT-K-G2-10-PCB-BZ	H=35W,M=25W,L=15W		
SF35-SCT-Y-G2-10-PCB-BZ			
SF60-SCT-K-G2-10-PCB-BZ	H=60W,M=35W,L=15W		
SF60-SCT-Y-G2-10-PCB-BZ			
SF100-SCT-S-G2-10-PCB-BZ	H=100W,M=80W,L=60W		
SF100-SCT-T-G2-10-PCB-BZ			
SF150-SCT-S-G2-10-PCB-BZ	H=150W,M=120W,L=100W		
SF150-SCT-T-G2-10-PCB-BZ			
SF205-SCT-S-G2-10-PCB-BZ	H=205W,M=150W,L=120W		
SF205-SCT-T-G2-10-PCB-BZ			
SF300-SCT-S-G2-10-PCB-BZ	H=300W,M=255W,L=205W		
SF300-SCT-T-G2-10-PCB-BZ			
			<b>*SOLD SEPARATELY</b>





**CW Lighting**  
Houston, TX 77040  
713.690.9320

**Date: Apr 22, 2024**

CW LIGHTING, LLC  
7701 West Little York Rd, Suite 300  
HOUSTON TX 77040  
Phone: (713) 690-9320  
Fax: (713) 690-4805

Job Name  
**Elliott - Stock Luminaires - SF35-SCT-K**  
CWL24-100713

Bid Date  
Apr 22, 2024

Submittal Date  
Apr 22, 2024

*Distributor:*  
ELLIOTT - HOUSTON  
7929 N Sam Houston Pkwy W  
Houston TX 77064



CW Lighting  
Houston, TX 77040  
713.690.9320

# Transmittal

CW LIGHTING, LLC  
7701 West Little York Rd, Suite 300  
HOUSTON TX 77040  
Phone: (713) 690-9320  
From: MICHAEL THOMPSON

**Project** Elliott - Stock Luminaires - SF35-SCT-K  
**Quote#** CWL24-100713

**Location**  
**To** ELLIOTT ELECTRIC  
7929 N Sam Houston Pkwy W  
SUITE 200  
Houston TX 77064  
Contact:

ATTACHED WE ARE SENDING YOU 1 COPY OF THE FOLLOWING ITEM:

- |                                   |  |        |
|-----------------------------------|--|--------|
| <input type="checkbox"/> Drawings | <input type="checkbox"/> Specifications        | Other: |
| <input type="checkbox"/> Prints   | <input type="checkbox"/> Information           |        |
| <input type="checkbox"/> Plans    | <input checked="" type="checkbox"/> Submittals |        |

THESE ARE TRANSMITTED FOR:

- |  |   |                                 |
|--|---|---------------------------------|
| <input type="checkbox"/> Prior Approval        | <input type="checkbox"/> Resubmittal for Approval | <input type="checkbox"/> Record |
| <input type="checkbox"/> Approval              | <input type="checkbox"/> Corrections              | Bids due on:                    |
| <input type="checkbox"/> Approval as Submitted | <input checked="" type="checkbox"/> Your Use      | Other:                          |
| <input type="checkbox"/> Approval as Noted     | <input type="checkbox"/> Review and Comment       |                                 |

Type	MFG	Part
	SIGNIFY - STONCO	SF35-SCT-K-G2-10-PCB-BZ

**Job Name:**Elliott - Stock Luminaires - SF35-SCT-K  
Distributor: ELLIOTT - HOUSTON (Houston)**Catalog Number:**

SF35-SCT-K-G2-10-PCB-BZ

**Type:**

CWL24-100713

Notes:

# Stonco

by Signify

## Floodlights

SlimFlood dual select

SF15/35/60/100/150/205/300



The **SlimFlood dual select** offers energy saving LED technology along with field selectable color and wattage. Versatile and stylish with seven different sizes to choose from, provides application flexibility for ground, wall or pole mounting installations. Ideal for sign lighting, building facades, security lighting, and general purpose floodlighting applications.

Project: \_\_\_\_\_  
Location: \_\_\_\_\_  
Cat.No: \_\_\_\_\_  
Type: \_\_\_\_\_  
Lamps: \_\_\_\_\_ Qty: \_\_\_\_\_  
Notes: \_\_\_\_\_

### Ordering guide

example: SF35-SCT-K-G2-10-PCB-BZ

Luminaire	CCT	Mounting	Generation	Voltage	Options	Finish
<b>SF35</b>	<b>SCT</b>	<b>K</b>	<b>G2</b>	<b>10</b>	<b>PCB</b>	<b>BZ</b>
<b>SF15</b> SlimFlood S 15W	<b>SCT</b> CCT Selectable (3000K, 4000K, 5000K)	<b>K</b> Knuckle Mount <sup>1</sup>	<b>G2</b> Gen 2	<b>10</b> 120-347V	<b>PCB</b> Photocell <sup>4</sup> (SF35, SF60, SF100, SF150 only)	<b>BZ</b> Bronze
<b>SF35</b> SlimFlood DS 15-25-35W		<b>Y</b> Yoke Mount <sup>1</sup> (SF15, SF35, and SF60 only)				
<b>SF60</b> SlimFlood DS 15-35-60W		<b>S</b> Slipfitter Mount <sup>2</sup>				
<b>SF100</b> SlimFlood DS 60-80-100W		<b>T</b> Trunnion Mount <sup>2</sup>				
<b>SF150</b> SlimFlood DS 100-120-150W		(SF100, SF150, SF205, and SF300 only)				
<b>SF205</b> SlimFlood DS 120-150-205W						
<b>SF300</b> SlimFlood DS 205-255-300W						
					<b>-</b> Photocell Ready, Photocell sold separately as SFW205-300-PCB <sup>5</sup> (SF205 and SF300 only)	

- Knuckle & Yoke mount options standard for SF15, SF35 and SF60 only.
- Slipfitter & Trunnion mount options for SF100, SF150, SF205 and SF300 only.
- Photocell option not available for SF15.
- Photocell is included as standard for SF35, SF60, SF100, SF150 with an ON/OFF switch.
- Photocell option can be purchased as a separate accessory for SF205 & SF300 use code SF205-300-PCB.

### LED Wattage and Lumen Values

Ordering Guide	Color Temp. (K) <sup>1</sup>	Average System Wattage <sup>3</sup>	Lumen Output <sup>3,4</sup>	Efficacy (LPW)
<b>SF15</b>	4000	15W <sup>2</sup>	2175lm	145
<b>SF35</b>	4000	15/25/35W	2370/3800/5075lm	145
<b>SF60</b>	4000	15/35/60W	2370/5320/8700lm	145
<b>SF100</b>	4000	60/80/100W	9540/12320/14800lm	145
<b>SF150</b>	4000	100/120/150W	15800/18240/21750lm	145
<b>SF205</b>	4000	120/150/205W	18600/22500/29725lm	145
<b>SF300</b>	4000	205/255/300W	31775/38250/43500lm	145

- Color temperature factory setting is 4000K.
- Wattage/Lumen Output factory setting set to mid power option.
- SF15 is none wattage selectable.
- Wattage and lumen output may vary by +/-10% due to actual input voltage.
- Lumen values based on photometric tests performed in compliance with IESNA LM-79.





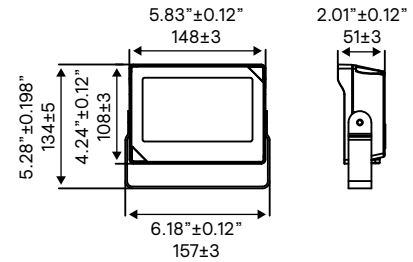
# SF15/35/60/100/150/205/300

## SlimFlood LED dual select 15-300W

Dimensions: 15-60W

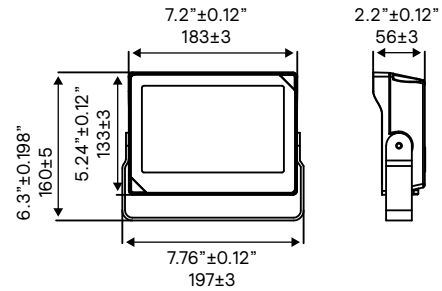
### Knuckle

### Yoke



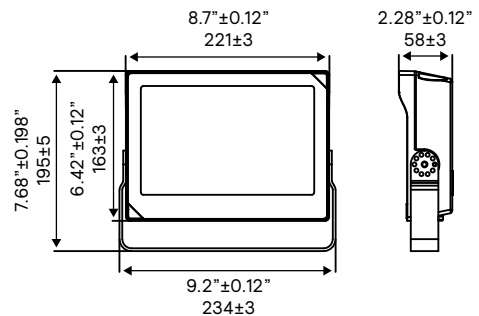
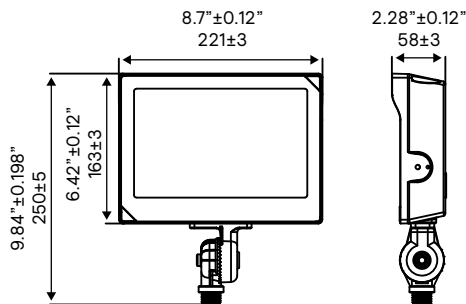
**15W Knuckle**  
Slim Flood 15W/3CCT/UN3/KN

**15W Yoke**  
Slim Flood 15W/3CCT/UN3/YK



**35W Knuckle**  
Slim Flood 15-25-35W/3CCT/UN3/KN/PCB

**35W Yoke**  
Slim Flood 15-25-35W/3CCT/UN3/YK/PCB



**60W Knuckle**  
Slim Flood 15-35-60W/3CCT/UN3/KN/PCB

**60W Yoke**  
Slim Flood 15-35-60W/3CCT/UN3/YK/PCB



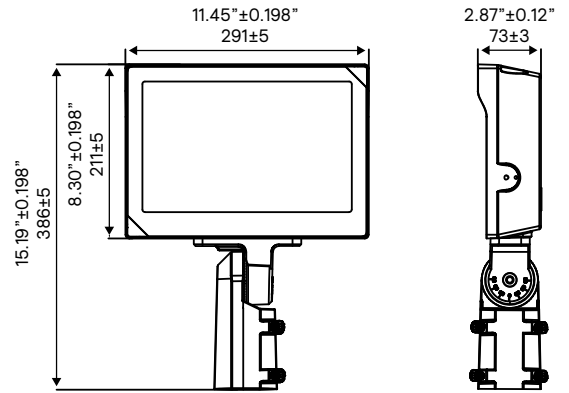
# SF15/35/60/100/150/205/300

## SlimFlood LED dual select 15-300W

**Dimensions (cont'd): 100-150W**



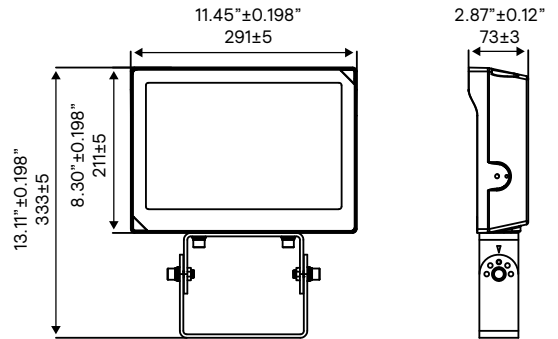
**100W Slipfitter**  
Slim Flood 60-80-100W/3CCT/UN3/SF/PCB



**150W Slipfitter**  
Slim Flood 100-120-150W/3CCT/UN3/SF/PCB



**100W Trunion**  
Slim Flood 60-80-100W/3CCT/UN3/TN/PCB



**150W Trunion**  
Slim Flood 100-120-150W/3CCT/UN3/TN/PCB





**Job Name:**

Elliott - Stock Luminaires - SF35-SCT-K  
Distributor: ELLIOTT - HOUSTON (Houston)

**Catalog Number:**

SF35-SCT-K-G2-10-PCB-BZ

Notes:

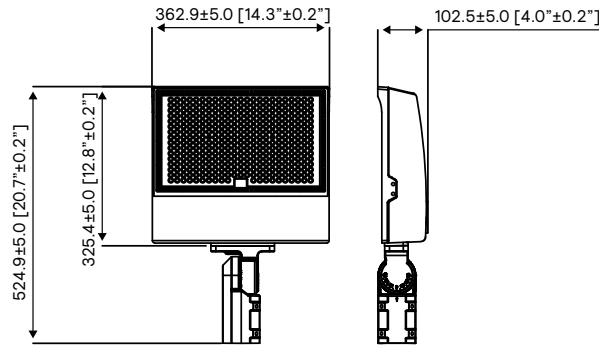
**Type:**

CWL24-100713

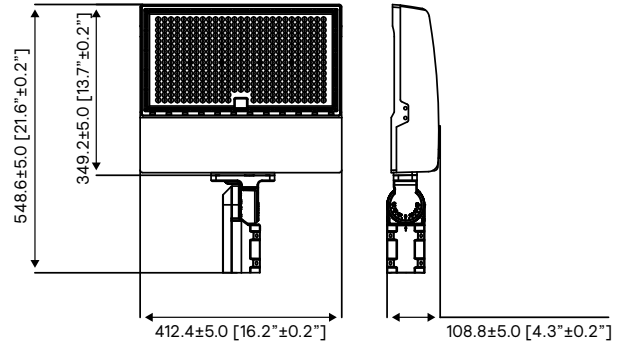
# SF15/35/60/100/150/205/300

## SlimFlood LED dual select 15-300W

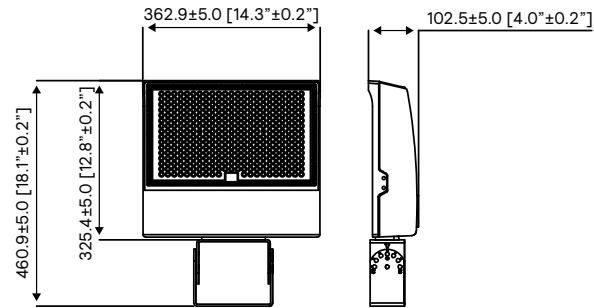
**Dimensions (cont'd): 205-300W**



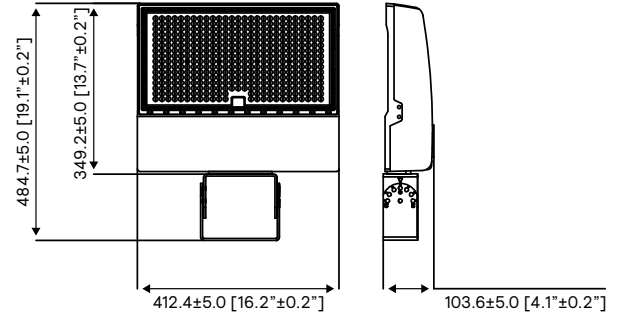
**205W Slipfitter**  
Slim Flood 120-150-205W/3CCT/UN3/SF



**300W Slipfitter**  
Slim Flood 205-255-300W/3CCT/UN3/SF



**205W Trunion**  
Slim Flood 120-150-205W/3CCT/UN3/TN



**300W Trunion**  
Slim Flood 205-255-300W/3CCT/UN3/TN

**Job Name:**

Elliott - Stock Luminaires - SF35-SCT-K  
Distributor: ELLIOTT - HOUSTON (Houston)

**Catalog Number:**

SF35-SCT-K-G2-10-PCB-BZ

**Type:**

CWL24-100713

Notes:

# SF15/35/60/100/150/205/300

## SlimFlood LED dual select 15-300W

### Specifications

#### Housing and Heat Sink

Single piece aluminum alloy die cast housing.

#### Mounting

Suitable for mounting within 4' (1.2m) of the ground.

**Knuckle (K, see Ordering guide):** Integral die cast Aluminum adjustable knuckle (K) with locking teeth and bolt to lock in aiming angle. Ships fully assembled, ready to install. Knuckle mount option standard for SF15, SF35 and SF60 only.

**Yoke (Y, see Ordering guide):** Integral structural steel adjustable Yoke (Y) for direct surface mounting, painted for resistance to corrosion, with bolt to lock in aiming angle. Ships fully assembled, ready to install. Yoke mount option standard for SF15, SF35 and SF60 only.

**Trunnion (T, see Ordering guide):** Integral structural steel adjustable trunnion (T) for direct surface mounting, painted for resistance to corrosion, with bolt to lock in aiming angle. Ships fully assembled, ready to install. Trunnion mount option for SF100, SF150, SF205 and SF300 only.

**Slipfitter (S, see Ordering guide):** Integral die cast Aluminum adjustable slipfitter (S) includes set screws for securing luminaire to tenon, with aiming angle markings and bolt to lock in aiming angle. Ships fully assembled, ready to install. Slipfitter mount option for SF100, SF150, SF205 and SF300 only.

#### Lens

15W - 150W Tempered glass lens  
205W - 300W Polycarbonate lens

#### Light Engine

Composed of 3 main components: LED Module / Optical System / Driver. Electrical components are RoHS compliant.

#### Color Temperature

All luminaires are provided with three field selectable color temperature options:  
3000K/4000K (Default)/5000K.

#### Wattage

SlimFlood dual select is provided with wattage field adjustable options.

**SF15:** 15W(Default);  
**SF35:** 15-25(Default)-35W;  
**SF60:** 15-35(Default)-60W;  
**SF100:** 60-80(Default)-100W;  
**SF150:** 100-120(Default)-150W;  
**SF205:** 120-150(Default)-205W;  
**SF300:** 205-255(Default)-300W.

#### Driver

Slim Flood dual select operates with a 120-347V; 50/60Hz Class 1 or Class 2 driver. All configurations operate with 0-10V dimming.

#### Other Integrated Features

**Photocell:** Included as standard for SF35, SF60, SF100, SF150 with an ON/OFF switch in the luminaire and can be purchased as a separate field installable accessory for SF205 & SF300 using code SF205-300-PCB.

**Surge Protection:** Each luminaire is provided as standard with surge protection. 15-60W: 2.5kV; 100-150W: 4kV; 205-300W: 6kV.

**Beam Angle:** 15-150W and 300W - 110°; 205W - 100°; Tolerance: +/-15%.

#### Finish

Fade and abrasion resistant powdercoat bronze finish (RAL 8019).

#### Certifications and Compliance

cULus Listed for Canada and USA. DLC 5.1 Premium. Entire luminaire is rated for operation in ambient temperature of -40°C (-40°F) up to +50°C (+122°F)

#### IP65 Rating

Entire luminaire including light engine and driver/ electrical compartment IP65 rated in all aiming positions including upward aiming floodlighting applications.

#### Limited Warranty

5-year limited warranty. See [signify.com/warranties](http://signify.com/warranties) for details and restrictions. Visit our eCatalog or contact your local sales representative for more information.

### Predicted Lumen Depreciation Data

Ambient Temperature °C	L <sub>70</sub> per TM21 <sup>1,2</sup>
25°C	50,000hrs

- L<sub>70</sub> is the predicted time when LED performance depreciates to 70% of initial lumen output.
- Calculated per IESNA TM 21-11. Published L<sub>70</sub> hours limited to 6 times actual LED test hours.



© 2023 Signify Holding. All rights reserved. The information provided herein is subject to change, without notice. Signify does not give any representation or warranty as to the accuracy or completeness of the information included herein and shall not be liable for any action in reliance thereon. The information presented in this document is not intended as any commercial offer and does not form part of any quotation or contract, unless otherwise agreed by Signify.

Stonco\_SlimFloodDS\_SpecSheet\_01/23 page 5 of 5

Signify North America Corporation  
400 Crossing Blvd, Suite 600  
Bridgewater, NJ 08807  
Telephone: 855-486-2216

All trademarks are owned by Signify Holding or their respective owners.

Signify Canada Ltd.  
281 Hillmount Road,  
Markham, ON, Canada L6C 2S3  
Telephone: 800-668-9008

[www.stonco.com](http://www.stonco.com)



**Job Name:**  
Elliott - Stock Luminaires - SF35-SCT-K  
Distributor: ELLIOTT - HOUSTON (Houston)

**Catalog Number:**  
SF35-SCT-K-G2-10-PCB-BZ

Notes:

**Type:**

CWL24-100713

# Stonco KEENE

by Signify

## Floodlighting

### Slim Flood

SF15-SCT-K-G2-10-BZ  
SF15-SCT-Y-G2-10-BZ  
SF35-SCT-K-G2-10-PCB-BZ  
SF35-SCT-Y-G2-10-PCB-BZ  
SF60-SCT-K-G2-10-PCB-BZ  
SF60-SCT-Y-G2-10-PCB-BZ  
SF100-SCT-S-G2-10-PCB-BZ

SF100-SCT-T-G2-10-PCB-BZ  
SF150-SCT-S-G2-10-PCB-BZ  
SF150-SCT-T-G2-10-PCB-BZ  
SF205-SCT-S-G2-10-BZ  
SF205-SCT-T-G2-10-BZ  
SF300-SCT-S-G2-10-BZ  
SF300-SCT-T-G2-10-BZ

## INSTALLATION INSTRUCTIONS

### IMPORTANT

Before assembling your fixture, please make sure that you carefully read through this instruction sheet.

- Proper grounding is required to ensure personal safety.
- Consider having your fixture installed by a qualified licensed electrician.
- Keep these instructions.

### CAUTIONS

1. Do not use an electric generator to test LED fixtures.
2. Please abide by related country, regional and local law and regulations when install this fixture.
3. Please turn off the power before installation or maintenance.
4. Proper earth grounding is required to ensure safety.

### NOTICE

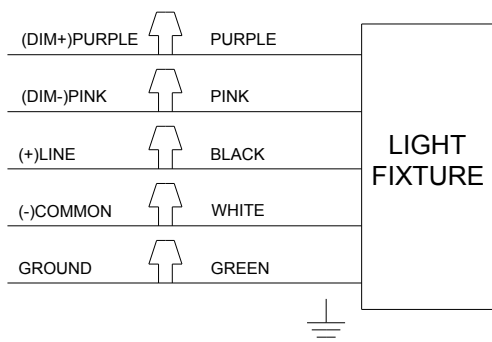
1. To avoid possibility of electrical shock or fire, the installation personnel must have professional electric knowledge.
2. Please wear gloves to avoid injury before installation.
3. If any smoke or spark of the wire happened, please turn off the power immediately and notify relevant personnel.

### ATTENTION

1. Please check if there is any damage during shipping. If so, please contact manufacturer timely.
2. Please read the installation instruction carefully to check whether all the accessories are complete. After confirmation, then install the fixture according to installation steps.

### WIRING

- Make sure that the mains voltage is appropriate and conforms with the luminaire driver.
- Connect fixture **GROUND** (green) wire to power supply **GROUND** (green) wire.
- Connect fixture **WHITE** wire to power supply (-) **COMMON** wire.
- Connect fixture **BLACK** wire to power supply (+) **LINE** wire.
- Connect fixture **PURPLE** wire to power supply **DIM+** wire.
- Connect fixture **PINK** wire to power supply **DIM-** wire.



CONSULT A QUALIFIED ELECTRICIAN TO ENSURE CORRECT BRANCH CIRCUIT CONDUCTOR  
CONSULTEZ UN ÉLECTRICIEN QUALIFIÉ POUR VOUS ASSURER QUE LES CONDUCTEURS DE LA DÉRIVATION  
SONT ADÉQUATS



**Job Name:**

Elliott - Stock Luminaires - SF35-SCT-K  
Distributor: ELLIOTT - HOUSTON (Houston)

**Catalog Number:**

SF35-SCT-K-G2-10-PCB-BZ

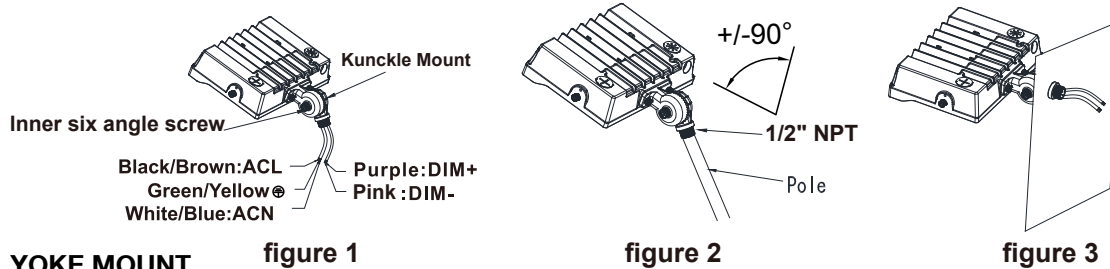
**Notes:****Type:**

CWL24-100713

**KNUCKLE MOUNT**

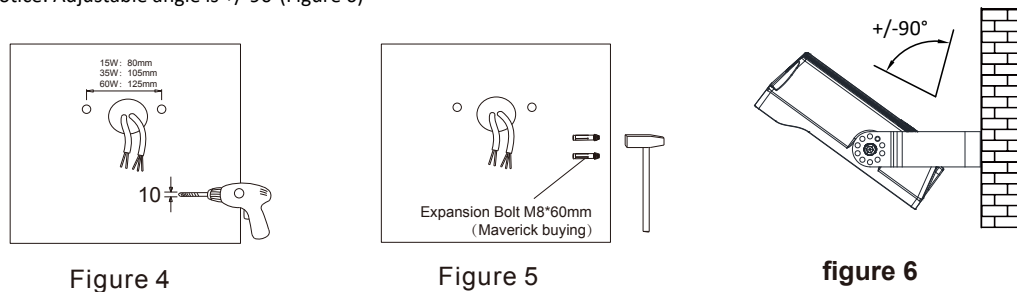
1. Take the fixture out of package;
2. Finish the wire connection according to the right mode of connection (pay attention to positive wire, negative wire, and ground wire), (figure 1), and then put wire into lamp pole;(figure 2)
3. Loosen screws; Adjust fixture angles as per actual demands and tighten screws later;Angles of the fixture is adjustable (pass the bracket through mounting surface, fix it with screws, then connect the wires as per proper wiring requirements). (figure 3)

Notice: Adjustable angle is  $\pm 90^\circ$ (Figure 2)

**YOKE MOUNT**

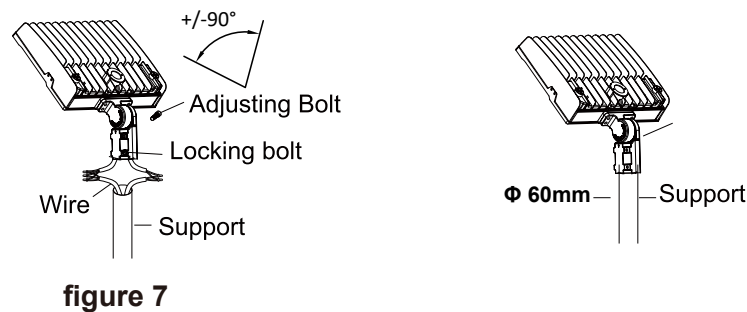
1. Drill holes on the wall as shown. (Figure 4)
2. Knock the expansion bolts into the wall.(Figure 5)
3. Connect the fixture to the bracket and tighten the screws; connect the wires properly and put them into junction box.(Figure 5)

Notice: Adjustable angle is  $\pm 90^\circ$ (Figure 6)

**SLIPFITTER MOUNT**

1. Connect the wire correctly and put the wire into pole. Then fasten the locking bolts between slip fitter and the pole.(Figure 7)
2. Loosen the fixing bolts and adjusting bolts,align the fixture to required angle.Tighten adjusting bolts and fixing bolts(provided) after the angle is confirmed.(Figure 8)

Notice: Adjustable angle is  $\pm 90^\circ$  (Figure 7)





**CW Lighting**  
Houston, TX 77040  
713.690.9320

**Job Name:**

Elliott - Stock Luminaires - SF35-SCT-K  
Distributor: ELLIOTT - HOUSTON (Houston)

**Catalog Number:**

SF35-SCT-K-G2-10-PCB-BZ

Notes:

**Type:**

CWL24-100713

**TRUNNION MOUNT**

1. Drill holes on the wall as shown.(Figure 9)
  2. Knock the expansion bolts (provided) into the wall.(Figure 10)
  3. Connect the fixture to the bracket and tighten the screws; connect the wires properly.(Figure 11)
- Notice:Adjustable angle is +/-90°(Figure 11)



figure 9

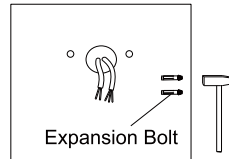


figure 10

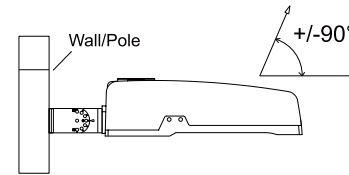


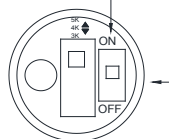
figure 11

**PHOTOCELL AND FUNCTION FOR 15-150W**

15W 35W 60W 100W 150W(Integrate in the fixture)

1. Open the metal plug and plastic plug counterclockwise with a screw driver (figure 12) , then slide the switch up and down to adjust the power controller,CCT controller or photocell controller in your demand. ( figure 13,14,16)

ON= Photocell on  
OFF=Photocell off



color temperature and photocell controller

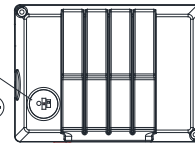


figure 13

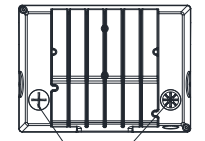
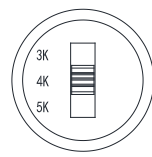


figure 12

PRODUCT CODE
SF15-SCT-K-G2-10-BZ
SF15-SCT-Y-G2-10-BZ



color temperature controller

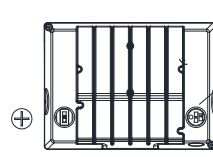
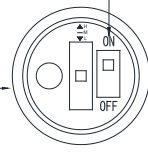


figure 14

ON= Photocell on  
OFF=Photocell off



photocell and power controller

PRODUCT CODE
SF35-SCT-K-G2-10-PCB-BZ
SF35-SCT-Y-G2-10-PCB-BZ
SF60-SCT-K-G2-10-PCB-BZ
SF60-SCT-Y-G2-10-PCB-BZ
SF100-SCT-S-G2-10-PCB-BZ
SF100-SCT-T-G2-10-PCB-BZ
SF150-SCT-S-G2-10-PCB-BZ
SF150-SCT-T-G2-10-PCB-BZ





**CW Lighting**  
Houston, TX 77040  
713.690.9320

**Job Name:**

Elliott - Stock Luminaires - SF35-SCT-K  
Distributor: ELLIOTT - HOUSTON (Houston)

**Catalog Number:**

SF35-SCT-K-G2-10-PCB-BZ

Notes:

**Type:**

CWL24-100713

**PHOTOCELL AND FUNCTION FOR 205W & 300W**

**Attention:**When the photocell function is required, it should be installed in the back of the fixture, please make sure to remove the shorting cap after installation, since if it is not removed, this will prevent photocell to work. Photocell is sold separately for 205W&300W.(figure 15 )



figure 15

**PHOTOCELL(SOLD SEPARATELY)**

ORDER CODE	DESCRIPTION
SF205-300-PCB	Photocell for 205W & 300W

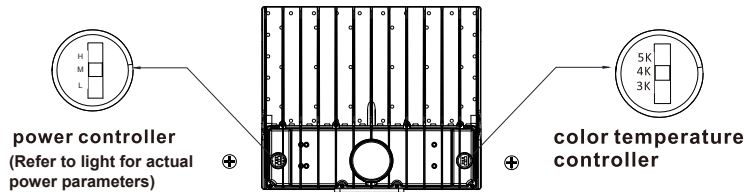


figure 16

PRODUCT CODE
SF205-SCT-S-G2-10-PCB-BZ
SF205-SCT-T-G2-10-PCB-BZ
SF300-SCT-S-G2-10-PCB-BZ
SF300-SCT-T-G2-10-PCB-BZ

2. After adjusting the required control function,tighten the metal plug and the plastic plug clockwise.(figure 17 )

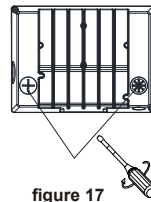


figure 17

PRODUCT CODE	POWER	CCT	PHOTOCELL
SF15-SCT-K-G2-10-BZ	NA	3K=3000K 4K=4000K 5K=5000K	ON= Photocell on OFF=Photocell off
SF15-SCT-Y-G2-10-BZ			
SF35-SCT-K-G2-10-PCB-BZ	H=35W,M=25W,L=15W		
SF35-SCT-Y-G2-10-PCB-BZ			
SF60-SCT-K-G2-10-PCB-BZ	H=60W,M=35W,L=15W		
SF60-SCT-Y-G2-10-PCB-BZ			
SF100-SCT-S-G2-10-PCB-BZ	H=100W,M=80W,L=60W		
SF100-SCT-T-G2-10-PCB-BZ			
SF150-SCT-S-G2-10-PCB-BZ	H=150W,M=120W,L=100W		
SF150-SCT-T-G2-10-PCB-BZ			
SF205-SCT-S-G2-10-PCB-BZ	H=205W,M=150W,L=120W		
SF205-SCT-T-G2-10-PCB-BZ			
SF300-SCT-S-G2-10-PCB-BZ	H=300W,M=255W,L=205W		<b>*SOLD SEPARATELY</b>
SF300-SCT-T-G2-10-PCB-BZ			

