

Skylark LED+ Dimmer

Dimmer for dimmable LED, CFL, halogen, and incandescent bulbs.

Features

- On/off rocker switch with a linear-slide dimmer for a standard designer wallplate opening.
- LED+ includes the most advanced technology for superior dimming of LED, CFL, halogen, and incandescent bulbs.
- UL® Listed to control:
 - Dimmable LEDs
 - Dimmable compact fluorescent lamps (CFL) with integrated ballast
 - Lutron LTEA Hi-lume 1% forward-phase LED driver
 - Halogen
 - Incandescent
- Low-end adjustment to accommodate a wide range of bulbs.
- Switch returns load to previous level.
- 100% factory tested.
- Formerly C•L.

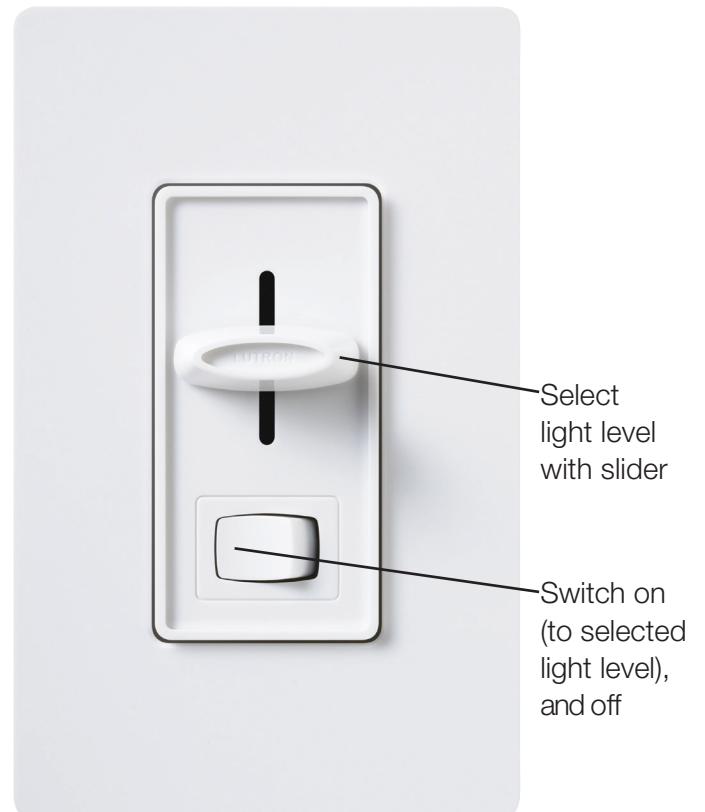
Application Requirements

- **When dimming LEDs or CFLs, only bulbs marked or rated as DIMMABLE may be used.**
- For a complete list of compatible DIMMABLE LEDs please visit www.lutron.com/LEDfinder
- Some DIMMABLE LEDs and CFLs require a minimum number of bulbs for proper operation. For details and a list of bulbs, please visit www.lutron.com/LEDfinder

Model Number

SCL-153P-XX^{1, 2} Single pole/3-way³
 SCL-153PH-XX-C^{1, 4} Single pole/3-way³

¹ "XX" in the model number represents color/finish code; see "Colors and Finishes" on next page.
² For clamshell packaging, add "H" after "153P". Clamshell packaged product available in AL, IV, LA, and WH.
³ For 3-way and 4-way switching, use Claro switches or other mechanical switches.
⁴ Clamshell packaged product for Canada. Available in AL, IV, LA, and WH.



Wallplate sold separately

| | |
|--------------------|-----------------------|
| Job Name: | Model Numbers: |
| Job Number: | |

Specifications

Regulatory Approvals

- UL[®] Listed to US and Canadian safety requirements UL1472/CSA C22.2 184.1
- NOM

Power and Ratings

- 120 V~ 60 Hz
- 150 W dimmable LED/CFL
- or**
- 600 W incandescent/halogen
- or**
- Mixed bulb type per **Multigang and Mixed Bulb Type Ratings** table (see page 3)
- or**
- 250 W Lutron LTEA Hi-lume 1% forward-phase LED driver (6 max.)

Environment

- For indoor use only
- Operating temperatures 0 °C to 40 °C (32 °F to 104 °F).

Performance

- Power-failure memory
- Linear slider
- Electrostatic discharge tested
- Precise color matching
- Mechanical air-gap switch to disconnect load power

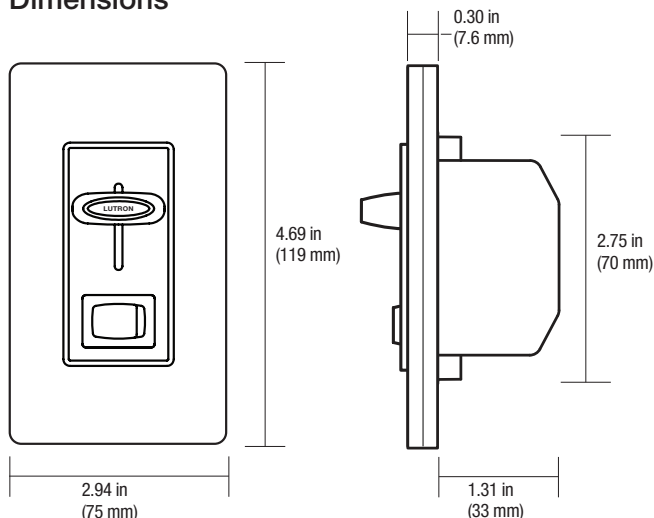
Product Specific Features

- Capable of controlling up to 150 W dimmable LED/CFL or 600 W incandescent/halogen or Mixed bulb type per **Multigang and Mixed Bulb Type Ratings** table (see page 3)

Warranty

- 1 Year Limited Warranty
For additional Warranty information, please visit www.lutron.com/TechnicalDocumentLibrary/369-119_Wallbox_Warranty.pdf

Dimensions



Note: Requires a U.S. wallbox 2½ in (64 mm) deep minimum.

Colors and Finishes:

Gloss Finishes

Add color / finish code to model #

Example: SCL-153P-WH

| | |
|----|--------------|
| WH | White |
| IV | Ivory |
| AL | Almond |
| LA | Light Almond |
| GR | Gray |
| BR | Brown |
| BL | Black |

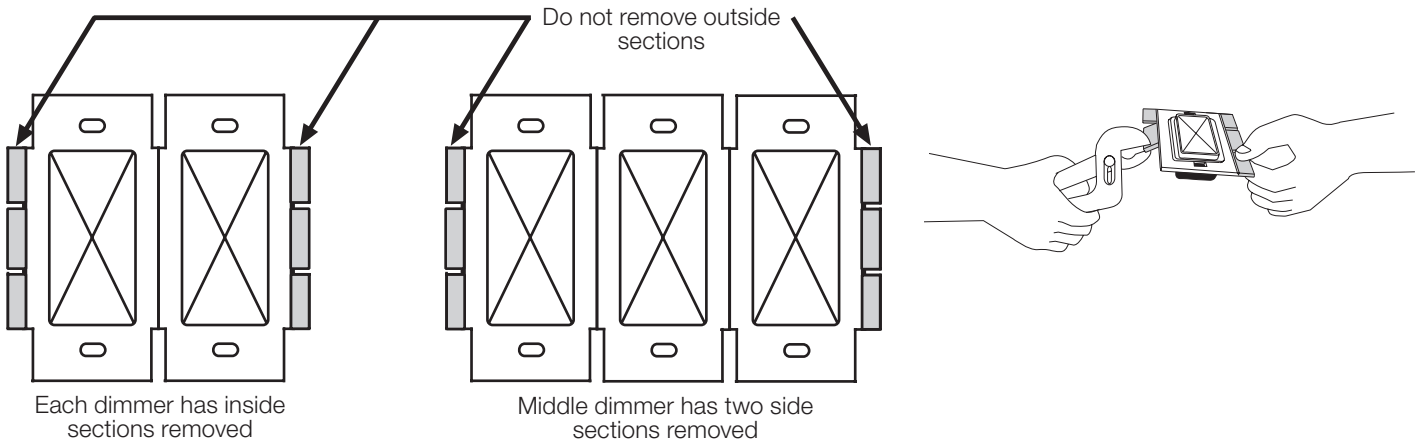
| | |
|--------------------|-----------------------|
| Job Name: | Model Numbers: |
| Job Number: | |

Multigang and Mixed-Bulb-Type Ratings

When installing more than one dimmer in the same wallbox, it may be necessary to remove some side sections prior to wiring (**see diagram**). Removal of dimmer side sections may reduce maximum wattage, as shown in the chart below.

Mixing bulb types (**using a combination of LED/CFL, and incandescent/halogen bulbs**) will also affect the maximum ratings, as shown in the chart below.

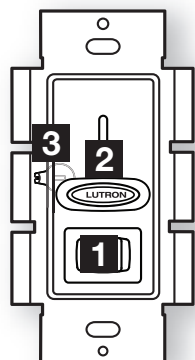
*EXAMPLE: If one set of side sections is removed and you have three 10 W LED bulbs installed (Total LED Wattage = 30 W), you may add up to 300 W of incandescent or halogen lighting.



| Total LED/CFL Wattage Installed (Wattage per bulb x # of bulbs) | LED CFL | Maximum Allowable Incandescent/Halogen Wattage | | |
|--|---------|--|----------------|-----------------|
| | | No sides removed | 1 side removed | 2 sides removed |
| 0 W | + | 600 W | 500 W | 400 W |
| 1 W – 25 W | + | 500 W | 400 W | 300 W |
| 26 W – 50 W | + | 400 W | 300 W | 200 W |
| 51 W – 75 W | + | 300 W | 200 W | 100 W |
| 76 W – 100 W | + | 200 W | 100 W | 50 W |
| 101 W – 125 W | + | 100 W | 50 W | 0 W |
| 126 W – 150 W | + | 0 W | 0 W | 0 W |

| | |
|-------------|----------------|
| Job Name: | Model Numbers: |
| Job Number: | |

Operation (View with wallplate removed)



1 Switch
Turns lights ON and OFF.

2 Slider
Controls light level.

+ ↑ Up
Increases light level

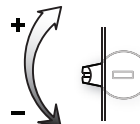
- ↓ Down
Decreases light level

IMPORTANT: Set slider to bottom before adjusting dimming range.

Lever-type Adjustment Dial

3 Adjustment lever
Sets low end dimming limit.

Up (clockwise)
Increases brightness



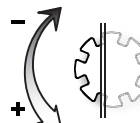
Down (counter-clockwise)
Decreases brightness

OR

Wheel-type Adjustment Dial

3 Adjustment dial
Sets low end dimming limit.

Up (clockwise)
Decreases brightness

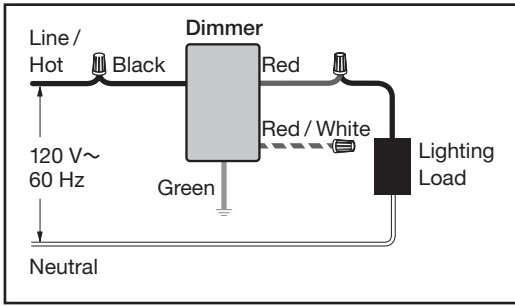


Down (counter-clockwise)
Increases brightness

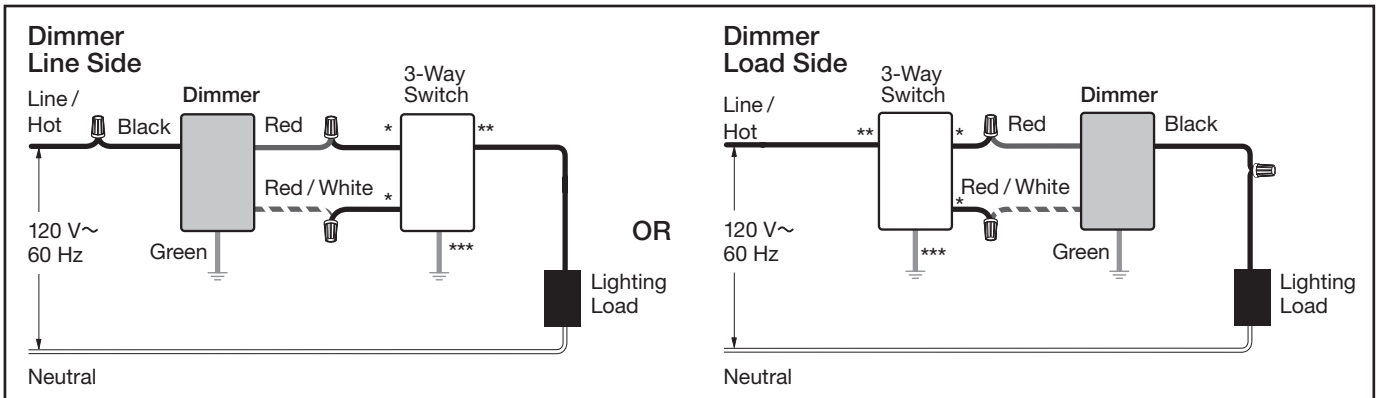
| | |
|-------------|----------------|
| Job Name: | Model Numbers: |
| Job Number: | |

Wiring Diagrams

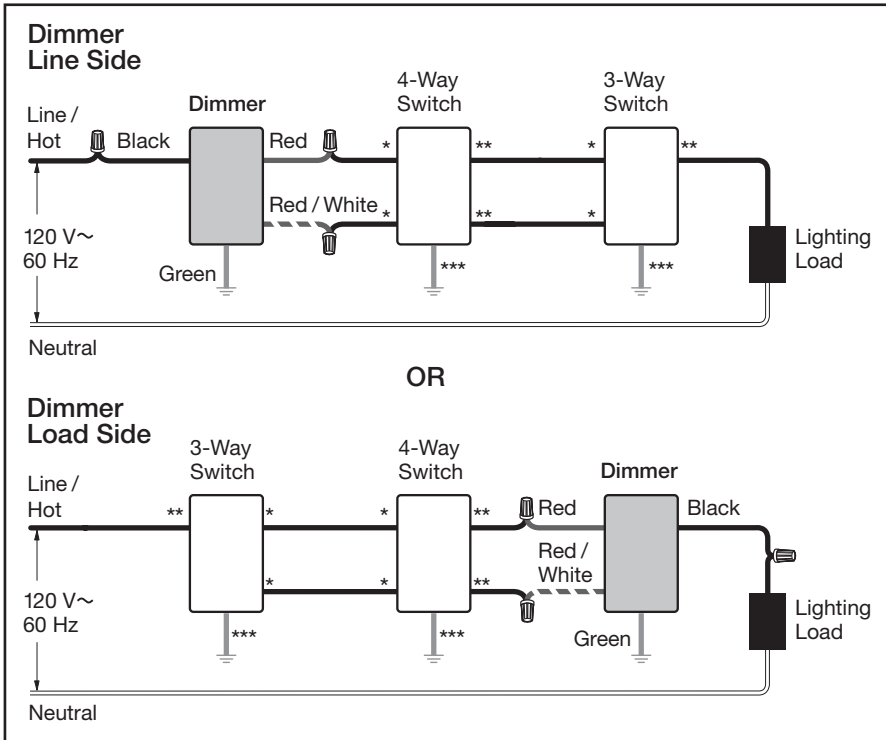
Single-Pole Wiring



3-Way Wiring



4-Way Wiring



- * or Copper/Black screw terminal
- ** or Brass/Gold screw terminal
- *** or Green screw terminal
- † Please refer to the switch's instruction sheet for proper wiring.

Note for 4-Way Wiring:
Dimmer must be installed Line Side or Load Side. It cannot be installed in the 4-way location.

The Lutron logo, Lutron, Skylark, LED+, Hi-lume, C•L, and Claro are trademarks or registered trademarks of Lutron Electronics Co., Inc. in the US and/or other countries. All other product names, logos, and brands are property of their respective owners.

| | |
|-------------|----------------|
| Job Name: | Model Numbers: |
| Job Number: | |

Skylark LED+ Dimmer

Dimmer for dimmable LED, CFL, halogen, and incandescent bulbs.

Features

- On/off rocker switch with a linear-slide dimmer for a standard designer wallplate opening.
- LED+ includes the most advanced technology for superior dimming of LED, CFL, halogen, and incandescent bulbs.
- UL® Listed to control:
 - Dimmable LEDs
 - Dimmable compact fluorescent lamps (CFL) with integrated ballast
 - Lutron LTEA Hi-lume 1% forward-phase LED driver
 - Halogen
 - Incandescent
- Low-end adjustment to accommodate a wide range of bulbs.
- Switch returns load to previous level.
- 100% factory tested.
- Formerly C•L.

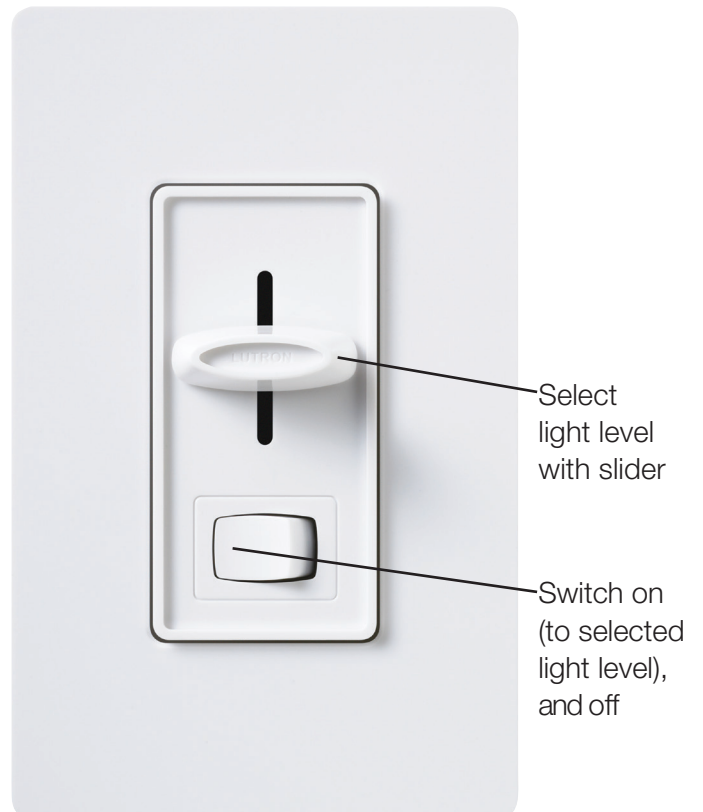
Application Requirements

- **When dimming LEDs or CFLs, only bulbs marked or rated as DIMMABLE may be used.**
- For a complete list of compatible DIMMABLE LEDs please visit www.lutron.com/LEDfinder
- Some DIMMABLE LEDs and CFLs require a minimum number of bulbs for proper operation. For details and a list of bulbs, please visit www.lutron.com/LEDfinder

Model Number

SCL-153P-XX^{1, 2} Single pole/3-way³
 SCL-153PH-XX-C^{1, 4} Single pole/3-way³

¹ "XX" in the model number represents color/finish code; see "Colors and Finishes" on next page.
² For clamshell packaging, add "H" after "153P". Clamshell packaged product available in AL, IV, LA, and WH.
³ For 3-way and 4-way switching, use Claro switches or other mechanical switches.
⁴ Clamshell packaged product for Canada. Available in AL, IV, LA, and WH.



Select light level with slider

Switch on (to selected light level), and off

Wallplate sold separately

| | |
|--------------------|-----------------------|
| Job Name: | Model Numbers: |
| Job Number: | |

Specifications

Regulatory Approvals

- UL[®] Listed to US and Canadian safety requirements UL1472/CSA C22.2 184.1
- NOM

Power and Ratings

- 120 V~ 60 Hz
- 150 W dimmable LED/CFL
- or**
- 600 W incandescent/halogen
- or**
- Mixed bulb type per **Multigang and Mixed Bulb Type Ratings** table (see page 3)
- or**
- 250 W Lutron LTEA Hi-lume 1% forward-phase LED driver (6 max.)

Environment

- For indoor use only
- Operating temperatures 0 °C to 40 °C (32 °F to 104 °F).

Performance

- Power-failure memory
- Linear slider
- Electrostatic discharge tested
- Precise color matching
- Mechanical air-gap switch to disconnect load power

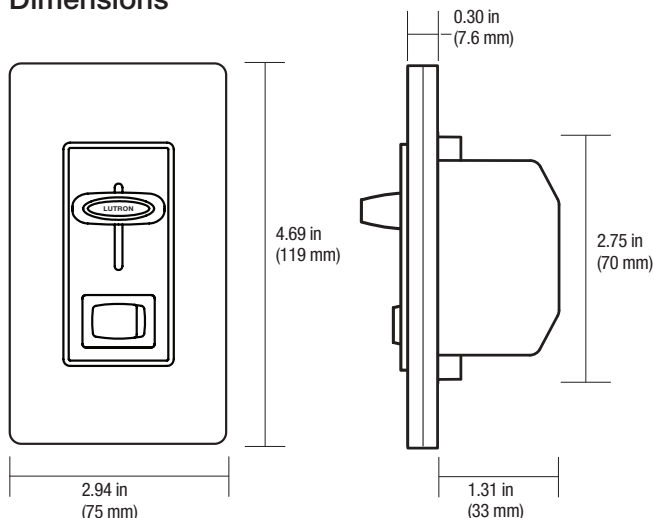
Product Specific Features

- Capable of controlling up to 150 W dimmable LED/CFL or 600 W incandescent/halogen or Mixed bulb type per **Multigang and Mixed Bulb Type Ratings** table (see page 3)

Warranty

- 1 Year Limited Warranty
For additional Warranty information, please visit www.lutron.com/TechnicalDocumentLibrary/369-119_Wallbox_Warranty.pdf

Dimensions



Note: Requires a U.S. wallbox 2½ in (64 mm) deep minimum.

Colors and Finishes:

Gloss Finishes

Add color / finish code to model #

Example: SCL-153P-WH

| | |
|----|--------------|
| WH | White |
| IV | Ivory |
| AL | Almond |
| LA | Light Almond |
| GR | Gray |
| BR | Brown |
| BL | Black |

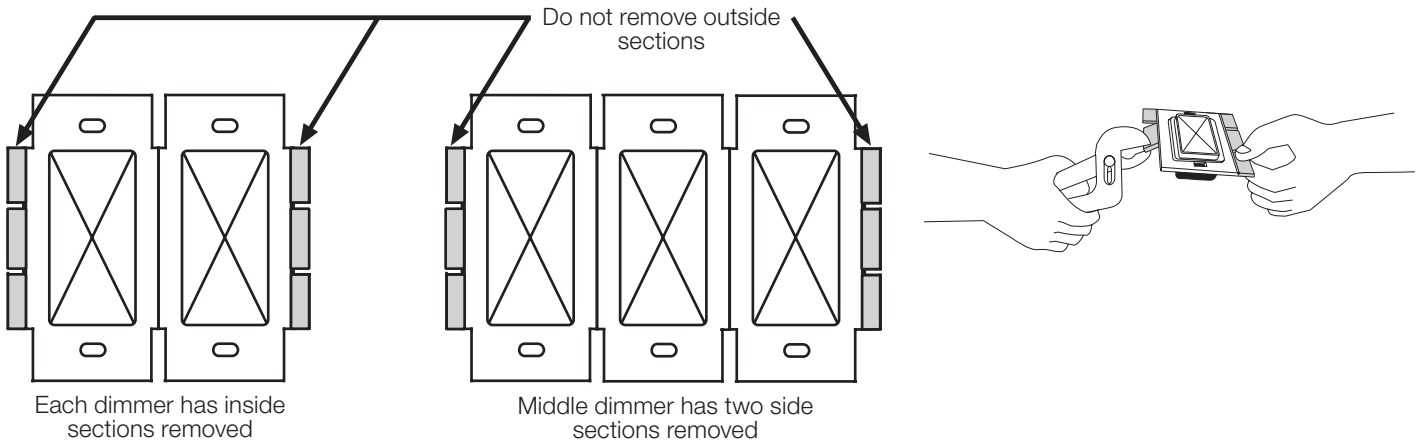
| | |
|--------------------|-----------------------|
| Job Name: | Model Numbers: |
| Job Number: | |

Multigang and Mixed-Bulb-Type Ratings

When installing more than one dimmer in the same wallbox, it may be necessary to remove some side sections prior to wiring (**see diagram**). Removal of dimmer side sections may reduce maximum wattage, as shown in the chart below.

Mixing bulb types (**using a combination of LED/CFL, and incandescent/halogen bulbs**) will also affect the maximum ratings, as shown in the chart below.

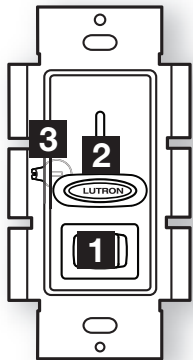
*EXAMPLE: If one set of side sections is removed and you have three 10 W LED bulbs installed (Total LED Wattage = 30 W), you may add up to 300 W of incandescent or halogen lighting.



| Total LED/CFL Wattage Installed (Wattage per bulb x # of bulbs) | LED CFL | Maximum Allowable Incandescent/Halogen Wattage | | |
|--|---------|--|----------------|-----------------|
| | | No sides removed | 1 side removed | 2 sides removed |
| 0 W | + | 600 W | 500 W | 400 W |
| 1 W – 25 W | + | 500 W | 400 W | 300 W |
| 26 W – 50 W | + | 400 W | 300 W | 200 W |
| 51 W – 75 W | + | 300 W | 200 W | 100 W |
| 76 W – 100 W | + | 200 W | 100 W | 50 W |
| 101 W – 125 W | + | 100 W | 50 W | 0 W |
| 126 W – 150 W | + | 0 W | 0 W | 0 W |

| | |
|-------------|----------------|
| Job Name: | Model Numbers: |
| Job Number: | |

Operation (View with wallplate removed)



1 Switch
Turns lights ON and OFF.

2 Slider
Controls light level.

+ ↑ Up
Increases light level

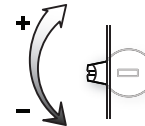
- ↓ Down
Decreases light level

IMPORTANT: Set slider to bottom before adjusting dimming range.

Lever-type Adjustment Dial

3 Adjustment lever
Sets low end dimming limit.

Up (clockwise)
Increases brightness



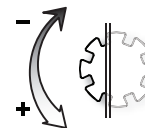
Down (counter-clockwise)
Decreases brightness

OR

Wheel-type Adjustment Dial

3 Adjustment dial
Sets low end dimming limit.

Up (clockwise)
Decreases brightness

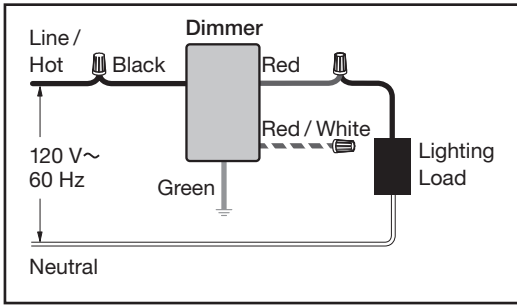


Down (counter-clockwise)
Increases brightness

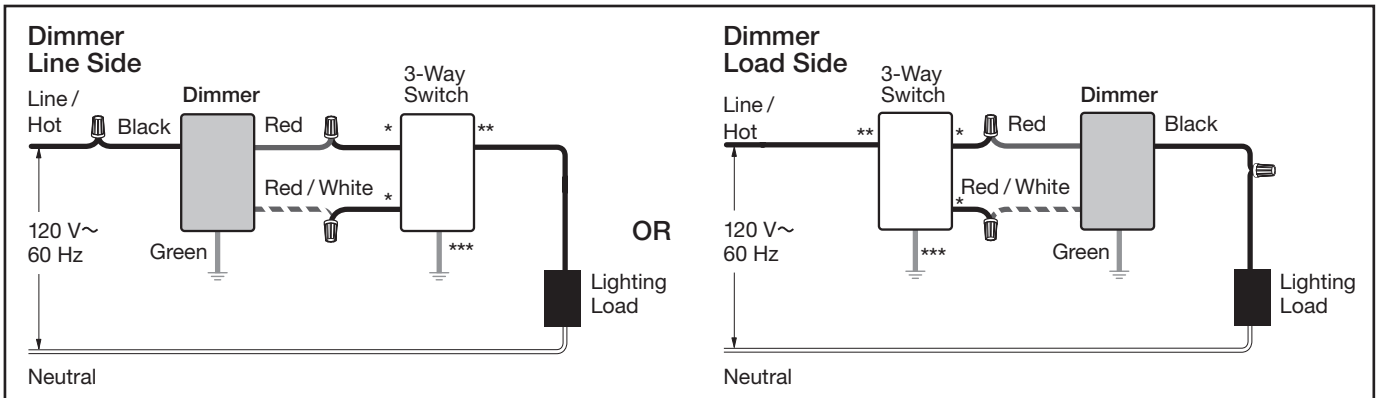
| | |
|-------------|----------------|
| Job Name: | Model Numbers: |
| Job Number: | |

Wiring Diagrams

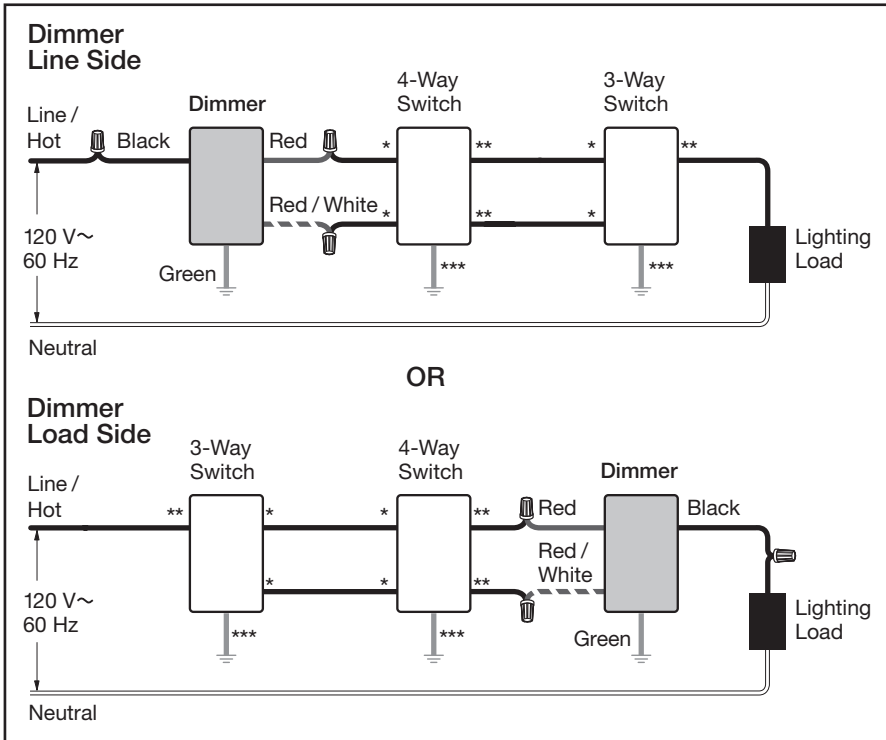
Single-Pole Wiring



3-Way Wiring



4-Way Wiring



- * or Copper/Black screw terminal
- ** or Brass/Gold screw terminal
- *** or Green screw terminal
- † Please refer to the switch's instruction sheet for proper wiring.

Note for 4-Way Wiring:
Dimmer must be installed Line Side or Load Side. It cannot be installed in the 4-way location.

The Lutron logo, Lutron, Skylark, LED+, Hi-lume, C•L, and Claro are trademarks or registered trademarks of Lutron Electronics Co., Inc. in the US and/or other countries. All other product names, logos, and brands are property of their respective owners.

| | |
|-------------|----------------|
| Job Name: | Model Numbers: |
| Job Number: | |