

Project		Catalog #		Type	
Prepared by		Notes		Date	



HALO

RL56 | LED 600 Series

5"/6" LED Recessed Retrofit Module-Trim

Typical Applications

Residential

Interactive Menu

- Order Information [page 2](#)
- Product Specifications [page 3](#)
- Photometric Data [page 4](#)
- Energy & Performance Data [page 4](#)
- Product Warranty

Top Product Features

- ENERGY STAR® certified
- 90 CRI: 2700K, 3000K, 3500K, 4000K, or 5000K CCT
- Lumens: 600, 900, 1200
- Retrofits existing 5 or 6" housings with screwbase adapter included"
- Use with 5 and 6" LED housings – new construction and remodel"

Product Certification

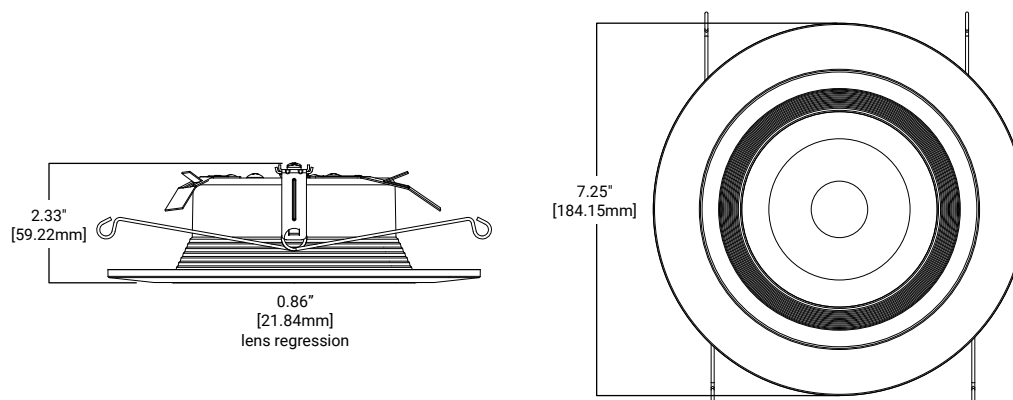


Refer to ENERGY STAR® Certified Products List.
Can be used to comply with California Title 24 High Efficacy requirements.
Certified to California Appliance Efficiency Database under J48.

Product Features



RL56 Dimensions




[additional product diagrams](#)

Order Information

SAMPLE ORDER NUMBER: **RL560WH6927-RL56TRMWHB**

Complete unit includes a RL56 Baffle-Trim LED Module and a 5" or 6" compatible housing, ordered separately. Optional accessory designer trim ring ordered separately.

RL56 600 Series	Accessories (order separately)
RL56 600 Series	Accessories (order separately)
<p>RL560WH6927= 5"/6" Retrofit Baffle - Trim LED Module, 90CRI, 2700K, Matte White RL560WH6930= 5"/6" Retrofit Baffle - Trim LED Module, 90CRI, 3000K, Matte White RL560WH6935= 5"/6" Retrofit Baffle - Trim LED Module, 90CRI, 3500K, Matte White RL560WH6940= 5"/6" Retrofit Baffle - Trim LED Module, 90CRI, 4000K, Matte White RL560WH6950= 5"/6" Retrofit Baffle - Trim LED Module, 90CRI, 5000K, Matte White</p>	<p>Designer Trims RL56TRMSNB= 5/6" Satin Nickel Trim Ring, Baffle RL56TRMTBZB= 5/6" Tuscan Bronze Trim Ring, Baffle RL56TRMWHB= 5/6" White Paintable Trim Ring, Baffle RL56TRMMBB= 5/6" Matte Black Trim Ring, Baffle RL56TRMSN= 5/6" Satin Nickel Trim Ring RL56TRMTBZ= 5/6" Tuscan Bronze Trim Ring RL56TRMWH= 5/6" White Paintable Trim Ring RL56TRMMB= 5/6" Matte Black Trim Ring OT400P= Oversize Flat White Metal Trim Ring 6" I.D. x 9-1/4" O.D. (ring slips behind RL56 ring, in stepped configuration) OT403P= Oversize White Plastic Trim Ring 6" I.D. x 8" O.D. (ring slips behind RL56 ring, in stepped configuration) TRM690WH= Oversize Matte White Metal Trim Ring. Designed for RL560 ring to inset into oversize ring for an even (non-stepped) trim surface HE26LED= Replacement screw base adapter (one included with unit)</p>  <p>E26 Screw base adapter for retrofit (included)</p>

Housing Compatibility

Compatible Halo LED Housings with LED luminaire connector (high-efficacy compliant)

<p>Halo LED 5-inch H550ICAT= 5" LED, Insulated Ceiling, Air-Tite, New Construction Housing H550RICAT= 5" LED, Insulated Ceiling, Air-Tite, Remodel Housing E550ICAT= 5" LED, Insulated Ceiling, Air-Tite, New Construction Housing E550RICAT= 5" LED, Insulated Ceiling, Air-Tite, Remodel Housing</p>	<p>Halo LED 6-inch H750ICAT= 6" LED, Insulated Ceiling, Air-Tite, New Construction Housing H750RICAT= 6" LED, Insulated Ceiling, Air-Tite, Remodel Housing H750T= 6" LED, Non-IC, Air-Tite, New Construction Housing H750TCP= 6" LED, Non-IC, New Construction/Remodel Chicago Plenum Housing H750RINTD010= 6" LED, Non-IC, New Construction/Remodel Chicago Plenum Housing H2750ICAT= 6" LED, Shallow, Insulated Ceiling, Air-Tite, New Construction (use with 691X, 694X, 696X trims only) H2750RICAT= 6" LED, Shallow, Insulated Ceiling, Air-Tite, Remodel (use with 691X, 694X, 696X trims only) E750ICAT= 6" LED, Insulated Ceiling, Air-Tite, New Construction Housing E750RICAT= 6" LED, Insulated Ceiling, Air-Tite, Remodel Housing</p>
---	--

Housing Compatibility

Halo LED Retrofit Enclosures

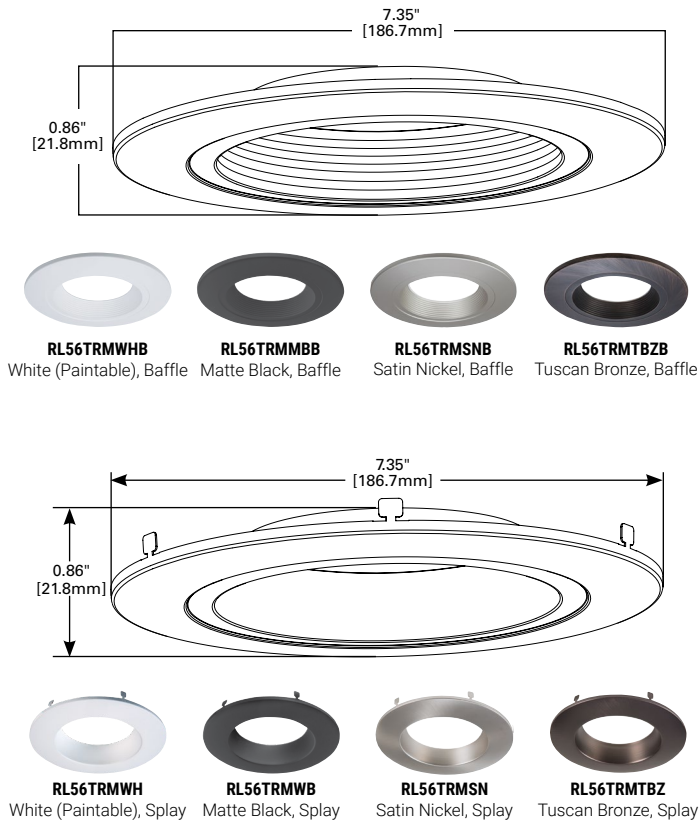
<p>Halo LED retrofit ML7BRXFK= 6" Retrofit Enclosure, Non-IC, BX Whip ML7E26RFK= 6" Retrofit Enclosure, Non-IC, E26 Screw base Interface</p>	
---	--

Housing Compatibility

Compatible Halo Incandescent E26 Screwbase Housings

<p>Halo Standard Housings 5-inch H5ICAT= 5" Insulated Ceiling, Air-Tite New Construction Housing H5RICAT= 5" Insulated Ceiling, Air-Tite Remodel Housing H5ICATNB= 5" Insulated Ceiling, Air-Tite New Construction Housing, No Socket Bracket H5T= 5" Non-IC, New Construction Housing H5RT= 5" Non-IC, Remodel Housing H25ICAT= 5" Shallow, Insulated Ceiling, Air-Tite New Construction H25ICATNB= 5" Shallow, Insulated Ceiling, Air-Tite New Construction, No Socket Bracket H5TNB= 5" Non-IC, New Construction Housing, No Socket Bracket E5ICAT= 5" Insulated Ceiling, Air-Tite New Construction Housing E5RICAT= 5" Insulated Ceiling, Air-Tite Remodel Housing E5ICATNB= 5" Insulated Ceiling, Air-Tite New Construction Housing, No Socket Bracket E5TAT= 5" Non-IC, New Construction Housing E5RTAT= 5" Non-IC, Remodel Housing E5TATNB= 5" Non-IC, New Construction Housing, No Socket Bracket</p> <p>Halo Standard Housings 6-inch H7ICAT= 6" Insulated Ceiling, Air-Tite New Construction Housing H7RICAT= 6" Insulated Ceiling, Air-Tite Remodel Housing H7ICT= 6" Insulated Ceiling, New Construction Housing H7RICT= 6" Insulated Ceiling, Remodel Housing H7ICATNB= 6" Insulated Ceiling, Air-Tite New Construction Housing, No Socket Bracket</p>	<p>H7ICTNB= 6" Insulated Ceiling, New Construction Housing, No Socket Bracket H7T= 6" Non-IC, New Construction Housing H7RT= 6" Non-IC, Remodel Housing H7TNB= 6" Non-IC, New Construction Housing, No Socket Bracket H7TCP= 6" Non-IC, Chicago Plenum, New Construction/Remodel Housing H7UICAT= 6" Insulated Ceiling, Universal, Air-Tite, New Construction Housing H27ICAT= 6" Shallow, Insulated Ceiling, Air-Tite New Construction H27RICAT= 6" Shallow, Insulated Ceiling, Air-Tite Remodel Housing H27T= 6" Shallow, Non-IC, New Construction Housing H27RT= 6" Shallow, Non-IC, Remodel Housing E27ICAT= 6" Shallow, Insulated Ceiling, Air-Tite New Construction E27RICAT= 6" Shallow, Insulated Ceiling, Air-Tite Remodel Housing E27TAT= 6" Shallow, Non-IC, New Construction Housing E27RTAT= 6" Shallow, Non-IC, Remodel Housing E7ICAT= 6" Insulated Ceiling, Air-Tite New Construction Housing E7RICAT= 6" Insulated Ceiling, Air-Tite Remodel Housing E7ICATNB= 6" Insulated Ceiling, Air-Tite New Construction Housing, No Socket Bracket E7TAT= 6" Non-IC, New Construction Housing E7RTAT= 6" Non-IC, Remodel Housing E7TATNB= 6" Non-IC, New Construction Housing, No Socket Bracket</p>
---	---

Designer Trim Dimensions



Energy Data

RL56 Series (Values at non-dimming line voltage)	
Minimum Starting Temp:	-30°C (-22°F)
EMI/RFI:	FCC Title 47 CFR, Part 15, Class B (Consumer)
Sound Rating:	Class A
Input Voltage:	120V
Power Factor:	>0.90
Input Frequency:	60Hz
THD:	<20%
Input Power:	7.6W – RL560WH6827 7.3W – RL560WH6830, RL560WH6835, RL560WH6840 9.7W – RL560WH6927 8.7W – RL560WH6930, RL560WH6940 9.0W – RL560WH6935
Input Current:	0.15A
Maximum IC (Insulated Ceiling) Ambient Continuous Operating Temperature:	25°C (77°F)
Maximum Non-IC Ambient Continuous Operating Temperature	40°C (104°F)

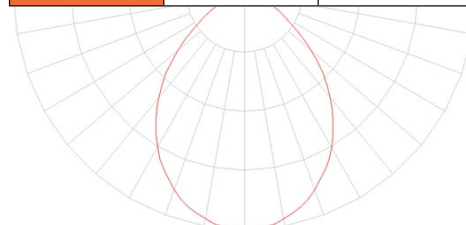
Product and Photometric Data

RL56 - 600 Series

Cat No.	CRI	CCT	Lumens	Power (W)	LPW
RL560WH6927	92	2700	630	8.7	72
RL560WH6930	91	3000	645	8.8	73
RL560WH6935	92	3500	650	8.9	73
RL560WH6940	92	4000	690	9.2	75
RL560WH6950	90	5000	715	8.9	80

RL56-600 Series Photometric*

RL560WH6930		
Luminaire lumens		645
Input watts		8.8
LER (LPW)		73.3
Spacing Criteria	0-180	1.14
	90-270	1.14
	Diagonal	1.22
Beam angle (degrees)		87.8
Field angle (degrees)		139
Zonal lumen	Lumens	% Lumens
0-30	240	37.2
0-40	375	58.2
0-60	577	89.4
0-90	645	100



* Tested in accordance with IES LM63. Field results may vary.

Product Specifications

Mechanical

Module - Trim

- Module construction includes LED, heat sink, reflector, lens, baffle and trim ring
- Regressed baffle
- Heat sink designed to conduct heat away from the LED keeping the junction temperatures below specified maximums, even when installed in insulated ceiling environments. L70 at 50,000 hours.
- Designer trim finish options (sold separately)
 - White (Paintable) Trim Ring
 - Satin Nickel Trim Ring
 - Tuscan Bronze Trim Ring

Lens

- Regressed lens
- Impact-resistant polycarbonate
- Convex form for lamp-like appearance
- Diffusing for even illumination

Mounting

- Integral torsion springs and Push-N-Twist clips offer two mounting options
 - Torsion springs are pre-installed and adjust to fit 5" or 6" compatible housings
 - Push-N-Twist universal installation clips are pre-installed and designed to fit 5" or 6" compatible housings

Housing Compatibility

See Housing Compatibility

LED

- Color Temperature (CCT)† Options:
 - 90 CRI: 2700K, 3000K, 3500K, 4000K, and 5000K
- Can be used to comply with California Title 24 High Efficacy requirements. Certified to California Appliance Efficiency Database under JA8.

LED Chromaticity

- A tight chromaticity specification ensures LED color uniformity, sustainable Color Rendering Index (CRI) and Correlated Color Temperature (CCT) over the useful life of the LED
- LED chromaticity of 3 SDCM exceeds ENERGY STAR® color standards per ANSI C78.377- 2008
- High color performance with R9 greater than 50
- Every Halo LED is quality tested, measured, and serialized in a permanent record to register lumens, wattage, CRI and CCT
- Halo LED serialized testing and measurement ensures color and lumen consistency on a
- per-unit basis, and validates long-term product consistency over time

Electrical

Power Connections

- LED connector is a non-screw base luminaire disconnect offering easy installation with the matching Halo 5" and 6" LED housings
- LED Connector meets California Title-24 high

efficacy luminaire requirement for a non-screw base socket, and where required to qualify as a high efficacy luminaire

- The included E26 medium screw-base Edison adapter provides easy retrofit of incandescent housings (see Housing Compatibility)

Ground Connection

- Separate grounding cable included
- on the module for attachment to the
- housing during installation.

LED Driver

- With the latest "driver-on-board" electronic technology, the driver is integrated in the module.
- 120V 50/60 Hz constant current dimmable driver provides high-efficiency operation
- Driver meets FCC 47CFR Part 15 EMI/RFI consumer limits for use in residential and commercial installations
- Driver features high power factor and low THD and has integral thermal protection in the event of over temperature or internal failure
- If dimming is not required the fixture can be operated from a standard wall switch

Dimming

- Designed for continuous dimming capability to nominally 5% with many 120V Leading Edge (LE) and Trailing Edge (TE) Phase Control dimmers. (Dimmers with low end trim adjustment offer greater assurance of achieving 5% level.)
- Consult dimmer manufacturer for compatibility and conditions of use Note: some dimmers require a neutral in the wallbox.

Warranty

Eaton provides a five year limited warranty on RL56 LED.

Compliance Labels

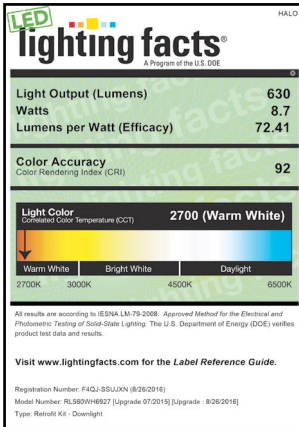
- UL Certified 1598 Luminaire with Halo housings and others – see Housing Compatibility
- UL Certified for Damp Location
- IP56 Ingress Protection rated
- May be installed in housings in direct contact with insulation** and combustible material

Compliance

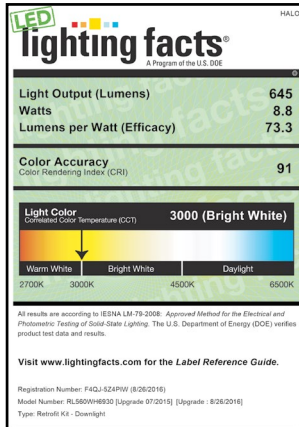
- Airtight certified per ASTM E283 (not exceeding 2.0 CFM under 75 Pascals pressure difference)
- 90 CRI: Can be used to comply with California Title 24 High Efficacy requirements. Certified to California Title 20 Appliance Efficiency Database.*
- Can be used for International Energy Conservation Code (IECC) high efficiency luminaire compliance.
- Suitable for use in closets. Compliant with NFPA 70, NEC Sec. 410.16 (A)(1) and 410.16 (C)(3).
- ENERGY STAR® Certified luminaire – consult ENERGY STAR® Certified Product List*
- EMI/RFI per FCC 47CFR Part 15 Class B Consumer limits, suitable for use in residential and commercial installations
- Contains no mercury or lead and RoHS compliant.
- Photometric testing in accordance with IES LM-79
- Lumen maintenance projections in accordance with IES LM-80 and TM-21

Lighting Facts

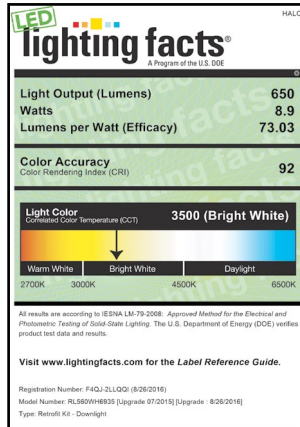
RL560WH6927
2700K Source



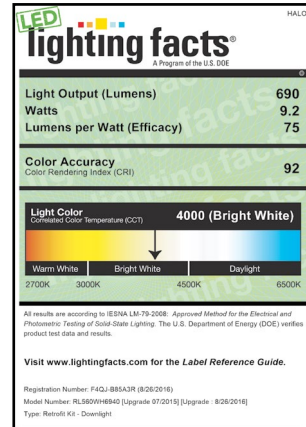
RL560WH6930
3000K Source



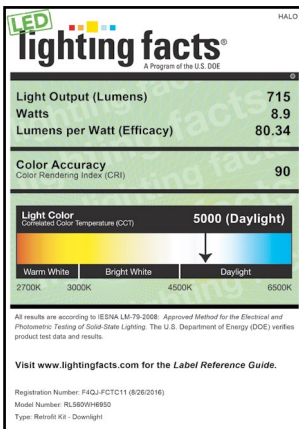
RL560WH6935
3500K Source



RL560WH6940
4000K Source



RL560WH6950
5000K Source



Project		Catalog #		Type	
Prepared by		Notes		Date	



HALO

RL56 | LED 600 Series

5"/6" LED Recessed Retrofit Module-Trim

Typical Applications

Residential

Interactive Menu

- Order Information [page 2](#)
- Product Specifications [page 3](#)
- Photometric Data [page 4](#)
- Energy & Performance Data [page 4](#)
- Product Warranty

Top Product Features

- ENERGY STAR® certified
- 90 CRI: 2700K, 3000K, 3500K, 4000K, or 5000K CCT
- Lumens: 600, 900, 1200
- Retrofits existing 5 or 6" housings with screwbase adapter included"
- Use with 5 and 6" LED housings – new construction and remodel"

Product Certification

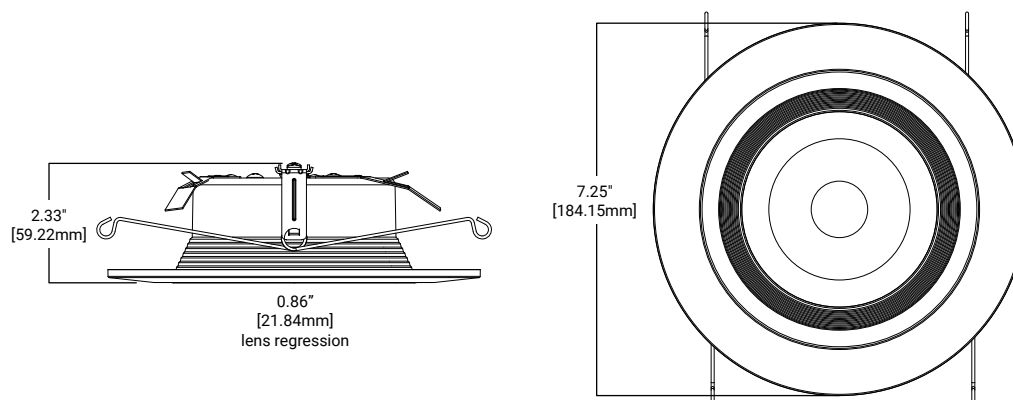


Refer to ENERGY STAR® Certified Products List.
Can be used to comply with California Title 24 High Efficacy requirements.
Certified to California Appliance Efficiency Database under J48.

Product Features



RL56 Dimensions




[additional product diagrams](#)

Order Information

SAMPLE ORDER NUMBER: **RL560WH6927-RL56TRMWHB**

Complete unit includes a RL56 Baffle-Trim LED Module and a 5" or 6" compatible housing, ordered separately. Optional accessory designer trim ring ordered separately.

RL56 600 Series	Accessories (order separately)
RL56 600 Series	Accessories (order separately)
<p>RL560WH6927= 5"/6" Retrofit Baffle - Trim LED Module, 90CRI, 2700K, Matte White RL560WH6930= 5"/6" Retrofit Baffle - Trim LED Module, 90CRI, 3000K, Matte White RL560WH6935= 5"/6" Retrofit Baffle - Trim LED Module, 90CRI, 3500K, Matte White RL560WH6940= 5"/6" Retrofit Baffle - Trim LED Module, 90CRI, 4000K, Matte White RL560WH6950= 5"/6" Retrofit Baffle - Trim LED Module, 90CRI, 5000K, Matte White</p>	<p>Designer Trims RL56TRMSNB= 5/6" Satin Nickel Trim Ring, Baffle RL56TRMTBZB= 5/6" Tuscan Bronze Trim Ring, Baffle RL56TRMWHB= 5/6" White Paintable Trim Ring, Baffle RL56TRMMBB= 5/6" Matte Black Trim Ring, Baffle RL56TRMSN= 5/6" Satin Nickel Trim Ring RL56TRMTBZ= 5/6" Tuscan Bronze Trim Ring RL56TRMWH= 5/6" White Paintable Trim Ring RL56TRMMB= 5/6" Matte Black Trim Ring OT400P= Oversize Flat White Metal Trim Ring 6" I.D. x 9-1/4" O.D. (ring slips behind RL56 ring, in stepped configuration) OT403P= Oversize White Plastic Trim Ring 6" I.D. x 8" O.D. (ring slips behind RL56 ring, in stepped configuration) TRM690WH= Oversize Matte White Metal Trim Ring. Designed for RL560 ring to inset into oversize ring for an even (non-stepped) trim surface HE26LED= Replacement screw base adapter (one included with unit)</p>  <p>E26 Screw base adapter for retrofit (included)</p>

Housing Compatibility

Compatible Halo LED Housings with LED luminaire connector (high-efficacy compliant)

<p>Halo LED 5-inch H550ICAT= 5" LED, Insulated Ceiling, Air-Tite, New Construction Housing H550RICAT= 5" LED, Insulated Ceiling, Air-Tite, Remodel Housing E550ICAT= 5" LED, Insulated Ceiling, Air-Tite, New Construction Housing E550RICAT= 5" LED, Insulated Ceiling, Air-Tite, Remodel Housing</p>	<p>Halo LED 6-inch H750ICAT= 6" LED, Insulated Ceiling, Air-Tite, New Construction Housing H750RICAT= 6" LED, Insulated Ceiling, Air-Tite, Remodel Housing H750T= 6" LED, Non-IC, Air-Tite, New Construction Housing H750TCP= 6" LED, Non-IC, New Construction/Remodel Chicago Plenum Housing H750RINTD010= 6" LED, Non-IC, New Construction/Remodel Chicago Plenum Housing H2750ICAT= 6" LED, Shallow, Insulated Ceiling, Air-Tite, New Construction (use with 691X, 694X, 696X trims only) H2750RICAT= 6" LED, Shallow, Insulated Ceiling, Air-Tite, Remodel (use with 691X, 694X, 696X trims only) E750ICAT= 6" LED, Insulated Ceiling, Air-Tite, New Construction Housing E750RICAT= 6" LED, Insulated Ceiling, Air-Tite, Remodel Housing</p>
---	--

Housing Compatibility

Halo LED Retrofit Enclosures

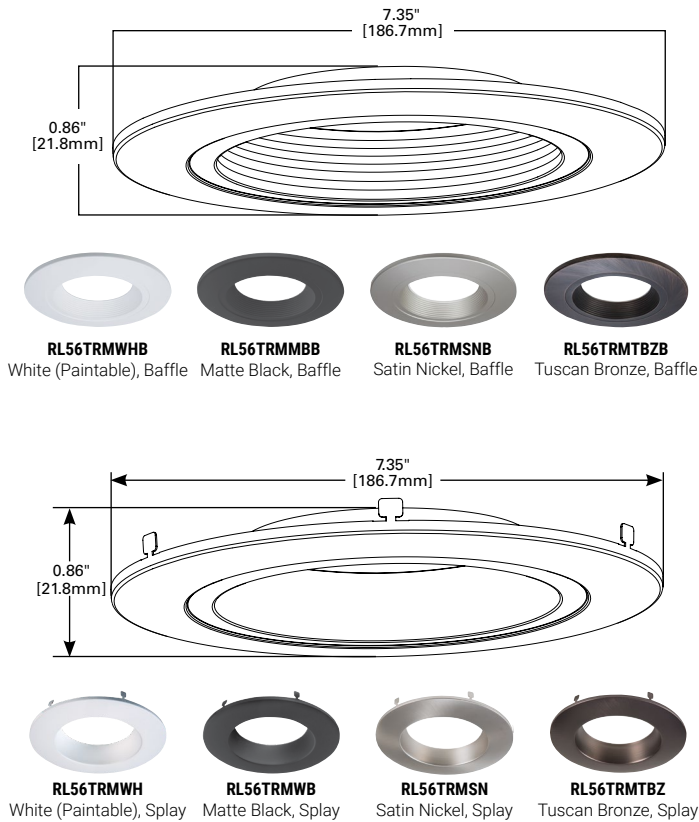
<p>Halo LED retrofit ML7BRXFK= 6" Retrofit Enclosure, Non-IC, BX Whip ML7E26RFK= 6" Retrofit Enclosure, Non-IC, E26 Screw base Interface</p>	
---	--

Housing Compatibility

Compatible Halo Incandescent E26 Screwbase Housings

<p>Halo Standard Housings 5-inch H5ICAT= 5" Insulated Ceiling, Air-Tite New Construction Housing H5RICAT= 5" Insulated Ceiling, Air-Tite Remodel Housing H5ICATNB= 5" Insulated Ceiling, Air-Tite New Construction Housing, No Socket Bracket H5T= 5" Non-IC, New Construction Housing H5RT= 5" Non-IC, Remodel Housing H25ICAT= 5" Shallow, Insulated Ceiling, Air-Tite New Construction H25ICATNB= 5" Shallow, Insulated Ceiling, Air-Tite New Construction, No Socket Bracket H5TNB= 5" Non-IC, New Construction Housing, No Socket Bracket E5ICAT= 5" Insulated Ceiling, Air-Tite New Construction Housing E5RICAT= 5" Insulated Ceiling, Air-Tite Remodel Housing E5ICATNB= 5" Insulated Ceiling, Air-Tite New Construction Housing, No Socket Bracket E5TAT= 5" Non-IC, New Construction Housing E5RTAT= 5" Non-IC, Remodel Housing E5TATNB= 5" Non-IC, New Construction Housing, No Socket Bracket</p> <p>Halo Standard Housings 6-inch H7ICAT= 6" Insulated Ceiling, Air-Tite New Construction Housing H7RICAT= 6" Insulated Ceiling, Air-Tite Remodel Housing H7ICT= 6" Insulated Ceiling, New Construction Housing H7RICT= 6" Insulated Ceiling, Remodel Housing H7ICATNB= 6" Insulated Ceiling, Air-Tite New Construction Housing, No Socket Bracket</p>	<p>H7ICTNB= 6" Insulated Ceiling, New Construction Housing, No Socket Bracket H7T= 6" Non-IC, New Construction Housing H7RT= 6" Non-IC, Remodel Housing H7TNB= 6" Non-IC, New Construction Housing, No Socket Bracket H7TCP= 6" Non-IC, Chicago Plenum, New Construction/Remodel Housing H7UICAT= 6" Insulated Ceiling, Universal, Air-Tite, New Construction Housing H27ICAT= 6" Shallow, Insulated Ceiling, Air-Tite New Construction H27RICAT= 6" Shallow, Insulated Ceiling, Air-Tite Remodel Housing H27T= 6" Shallow, Non-IC, New Construction Housing H27RT= 6" Shallow, Non-IC, Remodel Housing E27ICAT= 6" Shallow, Insulated Ceiling, Air-Tite New Construction E27RICAT= 6" Shallow, Insulated Ceiling, Air-Tite Remodel Housing E27TAT= 6" Shallow, Non-IC, New Construction Housing E27RTAT= 6" Shallow, Non-IC, Remodel Housing E7ICAT= 6" Insulated Ceiling, Air-Tite New Construction Housing E7RICAT= 6" Insulated Ceiling, Air-Tite Remodel Housing E7ICATNB= 6" Insulated Ceiling, Air-Tite New Construction Housing, No Socket Bracket E7TAT= 6" Non-IC, New Construction Housing E7RTAT= 6" Non-IC, Remodel Housing E7TATNB= 6" Non-IC, New Construction Housing, No Socket Bracket</p>
---	---

Designer Trim Dimensions



Energy Data

RL56 Series (Values at non-dimming line voltage)	
Minimum Starting Temp:	-30°C (-22°F)
EMI/RFI:	FCC Title 47 CFR, Part 15, Class B (Consumer)
Sound Rating:	Class A
Input Voltage:	120V
Power Factor:	>0.90
Input Frequency:	60Hz
THD:	<20%
Input Power:	7.6W – RL560WH6827 7.3W – RL560WH6830, RL560WH6835, RL560WH6840 9.7W – RL560WH6927 8.7W – RL560WH6930, RL560WH6940 9.0W – RL560WH6935
Input Current:	0.15A
Maximum IC (Insulated Ceiling) Ambient Continuous Operating Temperature:	25°C (77°F)
Maximum Non-IC Ambient Continuous Operating Temperature	40°C (104°F)

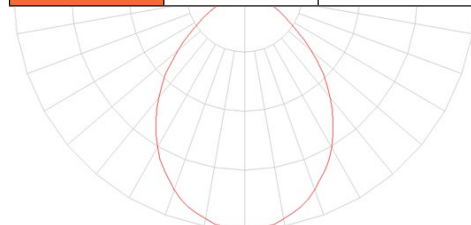
Product and Photometric Data

RL56 - 600 Series

Cat No.	CRI	CCT	Lumens	Power (W)	LPW
RL560WH6927	92	2700	630	8.7	72
RL560WH6930	91	3000	645	8.8	73
RL560WH6935	92	3500	650	8.9	73
RL560WH6940	92	4000	690	9.2	75
RL560WH6950	90	5000	715	8.9	80

RL56-600 Series Photometric*

RL560WH6930		
Luminaire lumens		645
Input watts		8.8
LER (LPW)		73.3
Spacing Criteria	0-180	1.14
	90-270	1.14
	Diagonal	1.22
Beam angle (degrees)		87.8
Field angle (degrees)		139
Zonal lumen	Lumens	% Lumens
0-30	240	37.2
0-40	375	58.2
0-60	577	89.4
0-90	645	100



* Tested in accordance with IES LM63. Field results may vary.

Product Specifications

Mechanical

Module - Trim

- Module construction includes LED, heat sink, reflector, lens, baffle and trim ring
- Regressed baffle
- Heat sink designed to conduct heat away from the LED keeping the junction temperatures below specified maximums, even when installed in insulated ceiling environments. L70 at 50,000 hours.
- Designer trim finish options (sold separately)
 - White (Paintable) Trim Ring
 - Satin Nickel Trim Ring
 - Tuscan Bronze Trim Ring

Lens

- Regressed lens
- Impact-resistant polycarbonate
- Convex form for lamp-like appearance
- Diffusing for even illumination

Mounting

- Integral torsion springs and Push-N-Twist clips offer two mounting options
 - Torsion springs are pre-installed and adjust to fit 5" or 6" compatible housings
 - Push-N-Twist universal installation clips are pre-installed and designed to fit 5" or 6" compatible housings

Housing Compatibility

See Housing Compatibility

LED

- Color Temperature (CCT)† Options:
 - 90 CRI: 2700K, 3000K, 3500K, 4000K, and 5000K
- Can be used to comply with California Title 24 High Efficacy requirements. Certified to California Appliance Efficiency Database under JA8.

LED Chromaticity

- A tight chromaticity specification ensures LED color uniformity, sustainable Color Rendering Index (CRI) and Correlated Color Temperature (CCT) over the useful life of the LED
- LED chromaticity of 3 SDCM exceeds ENERGY STAR® color standards per ANSI C78.377- 2008
- High color performance with R9 greater than 50
- Every Halo LED is quality tested, measured, and serialized in a permanent record to register lumens, wattage, CRI and CCT
- Halo LED serialized testing and measurement ensures color and lumen consistency on a
- per-unit basis, and validates long-term product consistency over time

Electrical

Power Connections

- LED connector is a non-screw base luminaire disconnect offering easy installation with the matching Halo 5" and 6" LED housings
- LED Connector meets California Title-24 high

efficacy luminaire requirement for a non-screw base socket, and where required to qualify as a high efficacy luminaire

- The included E26 medium screw-base Edison adapter provides easy retrofit of incandescent housings (see Housing Compatibility)

Ground Connection

- Separate grounding cable included
- on the module for attachment to the
- housing during installation.

LED Driver

- With the latest "driver-on-board" electronic technology, the driver is integrated in the module.
- 120V 50/60 Hz constant current dimmable driver provides high-efficiency operation
- Driver meets FCC 47CFR Part 15 EMI/RFI consumer limits for use in residential and commercial installations
- Driver features high power factor and low THD and has integral thermal protection in the event of over temperature or internal failure
- If dimming is not required the fixture can be operated from a standard wall switch

Dimming

- Designed for continuous dimming capability to nominally 5% with many 120V Leading Edge (LE) and Trailing Edge (TE) Phase Control dimmers. (Dimmers with low end trim adjustment offer greater assurance of achieving 5% level.)
- Consult dimmer manufacturer for compatibility and conditions of use Note: some dimmers require a neutral in the wallbox.

Warranty

Eaton provides a five year limited warranty on RL56 LED.

Compliance Labels

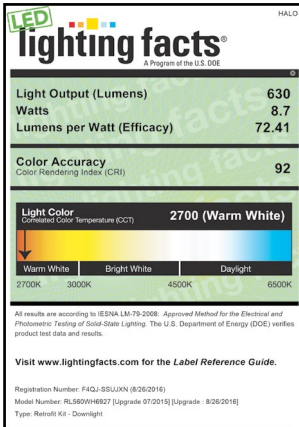
- UL Certified 1598 Luminaire with Halo housings and others – see Housing Compatibility
- UL Certified for Damp Location
- IP56 Ingress Protection rated
- May be installed in housings in direct contact with insulation** and combustible material

Compliance

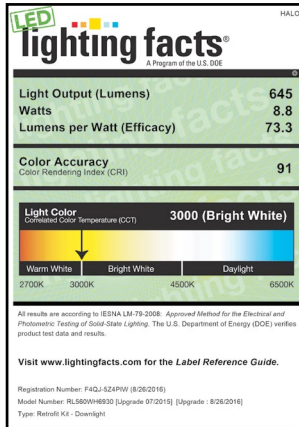
- Airtight certified per ASTM E283 (not exceeding 2.0 CFM under 75 Pascals pressure difference)
- 90 CRI: Can be used to comply with California Title 24 High Efficacy requirements. Certified to California Title 20 Appliance Efficiency Database.*
- Can be used for International Energy Conservation Code (IECC) high efficiency luminaire compliance.
- Suitable for use in closets. Compliant with NFPA 70, NEC Sec. 410.16 (A)(1) and 410.16 (C)(3).
- ENERGY STAR® Certified luminaire – consult ENERGY STAR® Certified Product List*
- EMI/RFI per FCC 47CFR Part 15 Class B Consumer limits, suitable for use in residential and commercial installations
- Contains no mercury or lead and RoHS compliant.
- Photometric testing in accordance with IES LM-79
- Lumen maintenance projections in accordance with IES LM-80 and TM-21

Lighting Facts

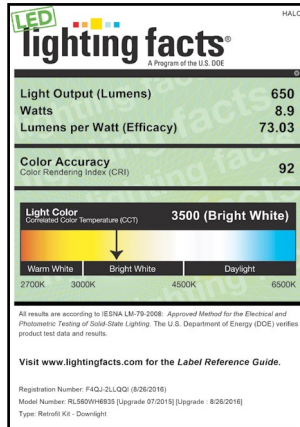
RL560WH6927
2700K Source



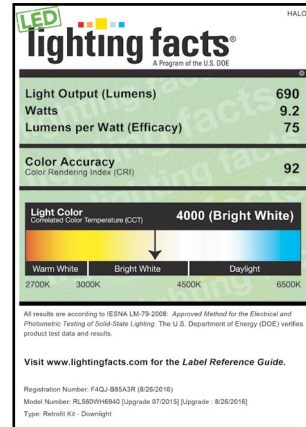
RL560WH6930
3000K Source



RL560WH6935
3500K Source



RL560WH6940
4000K Source



RL560WH6950
5000K Source

