

RAISED COVER WITH LATCHES, TYPE 4X

INDUSTRY STANDARDS

UL 508A Listed; Type 3, 3R, 4, 4X, 12, 13; File No. E54315
 cUL Listed per CSA C22.2 No 94; Type 3, 3R, 4, 4X, 12, 13; File No. E54315
 Enclosure flammability per UL 508A

NEMA/EEMAC Type 3, 3R, 4, 4X, 12, 13
 CSA File No. 217184: Type 3, 3R, 4, 4X, 12, 13
 IEC 60529, IP66
 Meets NEMA Type 3RX requirements

APPLICATION

Enclosures feature a raised, hinged, overlapping cover design that ensures a more secure seal and offers increased internal space for mounting components. Available with solid and window covers. Latches provide easy access and security.

SPECIFICATIONS

- Compression-molded fiberglass construction
- Overlapping raised solid and window covers
- Windows are clear polycarbonate
- Cover fastens with padlockable Type 316 stainless steel latches
- Type 304 stainless steel piano hinges
- Integral mounting brackets
- Enclosures protect equipment and operators from indirect electrical contact
- Material is halogen free

FINISH

Fiberglass material is RAL 7035 light-gray inside and out. Optional steel panels are painted white. Optional stainless steel, aluminum, conductive and composite panels are unpainted.

ACCESSORIES

- See also *Accessories*.
- H20MIT Vent Drains, Type 4X
 - HOL-SEALERS Non-Metallic Hole Seals
 - Panels for Junction Boxes
 - Swing-Out Panel Kit
 - Terminal Block Kit Assembly for Junction Boxes Overview

MODIFICATION AND CUSTOMIZATION

Hoffman excels at modifying and customizing products to your specifications. Contact your local Hoffman sales office or distributor for complete information.

BULLETIN: HJ
Standard Product

Catalog Number	Ax B x C in./mm	No. of Latches	Window Size		D in./mm	F in./mm	G in./mm	H in./mm	I in./mm	J in./mm	K in./mm	L in./mm	P in./mm	Q in./mm	W in./mm
			M x N in./mm												
RHJB1008HWPL1LG	9.70 x 7.71 x 5.91 246 x 196 x 150	1	8.00 x 6.00		6.86	6.49	10.75	6.00	11.51	4.50	3.15	11.22	8.25	6.25	9.22
RHJB1210HWPL2LG	11.68 x 9.69 x 6.16 296 x 246 x 156	2	10.00 x 8.00		7.05	6.73	12.75	8.00	13.51	4.66	3.15	13.22	10.25	8.25	11.22
RHJB1412HWPL2LG	13.62 x 11.62 x 7.24 346 x 295 x 184	2	12.00 x 10.00		8.13	7.81	14.75	10.00	15.50	5.63	3.25	15.32	12.25	10.25	13.22
RHJB1614HWPL2LG	15.62 x 13.62 x 7.24 396 x 346 x 184	2	14.00 x 12.00		8.13	7.81	16.75	12.00	17.51	5.63	3.25	17.22	14.25	12.25	15.22
RHJ1008HWPL1LG	9.70 x 7.71 x 5.91 246 x 196 x 150	1	---		6.86	6.49	10.75	6.00	11.51	4.50	3.15	11.22	8.25	6.25	9.22
RHJ1210HWPL2LG	11.68 x 9.69 x 6.16 296 x 246 x 156	2	---		7.05	6.73	12.75	6.00	13.51	4.66	3.15	13.22	10.25	8.25	11.22
RHJ1412HWPL2LG	13.62 x 11.62 x 7.24 346 x 295 x 184	2	---		8.13	7.81	14.75	10.00	15.51	5.63	3.25	15.22	12.25	10.25	13.22
RHJ1614HWPL2LG	15.62 x 13.62 x 7.24 396 x 346 x 184	2	---		8.13	7.81	16.75	12.00	17.51	5.63	3.25	17.22	14.25	12.25	15.22
RHJ1816HWPL2LG	17.48 x 15.77 x 9.44 444 x 400 x 240	2	---		10.25	10.01	18.74	12.00	19.51	7.76	3.25	19.22	16.25	14.25	17.22

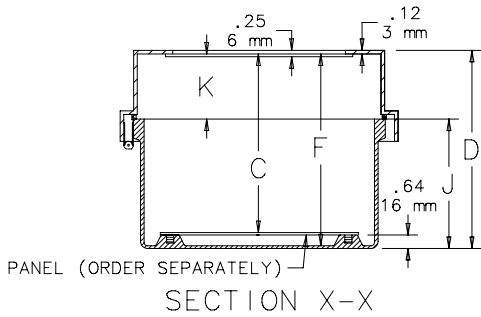
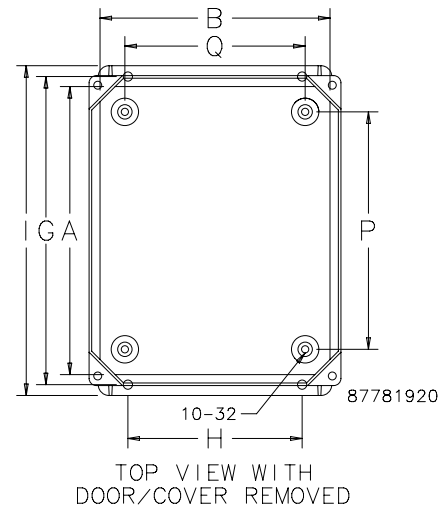
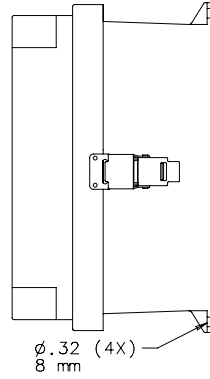
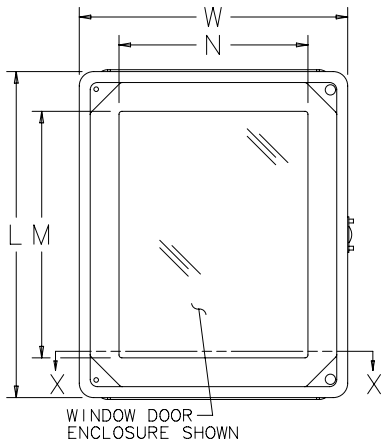
A x B x C are internal dimensions.

Purchase panels separately. Optional stainless steel, composite and aluminum panels are available for most sizes.

Panels

Enclosure Catalog Number	Steel Panel	Aluminum Panel	Panel Size in./mm
RHJB1008HWPL1LG	A10P8	A10P8AL	8.75 x 6.88 222 x 102
RHJB1210HWPL2LG	A12P10	A12P10AL	10.75 x 8.88 273 x 226
RHJB1412HWPL2LG	A14P12	A14P12AL	12.75 x 10.88 324 x 276
RHJB1614HWPL2LG	A16P14	A16P14AL	14.75 x 12.88 375 x 327
RHJ1008HWPL1LG	A10P8	A10P8AL	8.75 x 6.88 222 x 102
RHJ1210HWPL2LG	A12P10	A12P10AL	10.75 x 8.88 273 x 226
RHJ1412HWPL2LG	A14P12	A14P12AL	12.75 x 10.88 324 x 276
RHJ1614HWPL2LG	A16P14	A16P14AL	14.75 x 12.88 375 x 327
RHJ1816HWPL2LG	A18P16	A18P16AL	16.75 x 14.88 425 x 378

Raised Cover Window Enclosures



RAISED COVER WITH LATCHES, TYPE 4X

INDUSTRY STANDARDS

UL 508A Listed; Type 3, 3R, 4, 4X, 12, 13; File No. E54315
 cUL Listed per CSA C22.2 No 94; Type 3, 3R, 4, 4X, 12, 13; File No. E54315
 Enclosure flammability per UL 508A

NEMA/EEMAC Type 3, 3R, 4, 4X, 12, 13
 CSA File No. 217184: Type 3, 3R, 4, 4X, 12, 13
 IEC 60529, IP66

Meets NEMA Type 3RX requirements

APPLICATION

Enclosures feature a raised, hinged, overlapping cover design that ensures a more secure seal and offers increased internal space for mounting components. Available with solid and window covers. Latches provide easy access and security.

SPECIFICATIONS

- Compression-molded fiberglass construction
- Overlapping raised solid and window covers
- Windows are clear polycarbonate
- Cover fastens with padlockable Type 316 stainless steel latches
- Type 304 stainless steel piano hinges
- Integral mounting brackets
- Enclosures protect equipment and operators from indirect electrical contact
- Material is halogen free

FINISH

Fiberglass material is RAL 7035 light-gray inside and out. Optional steel panels are painted white. Optional stainless steel, aluminum, conductive and composite panels are unpainted.

ACCESSORIES

- See also *Accessories*.
- H20MIT Vent Drains, Type 4X
 - HOL-SEALERS Non-Metallic Hole Seals
 - Panels for Junction Boxes
 - Swing-Out Panel Kit
 - Terminal Block Kit Assembly for Junction Boxes Overview

MODIFICATION AND CUSTOMIZATION

Hoffman excels at modifying and customizing products to your specifications. Contact your local Hoffman sales office or distributor for complete information.

BULLETIN: HJ
Standard Product

Catalog Number	Ax B x C in./mm	No. of Latches	Window Size		D in./mm	F in./mm	G in./mm	H in./mm	I in./mm	J in./mm	K in./mm	L in./mm	P in./mm	Q in./mm	W in./mm
			M x N in./mm												
RHJB1008HWPL1LG	9.70 x 7.71 x 5.91 246 x 196 x 150	1	8.00 x 6.00 203 x 152		6.86 174	6.49 165	10.75 273	6.00 152	11.51 292	4.50 114	3.15 80	11.22 285	8.25 210	6.25 159	9.22 234
RHJB1210HWPL2LG	11.68 x 9.69 x 6.16 296 x 246 x 156	2	10.00 x 8.00 254 x 203		7.05 179	6.73 171	12.75 324	8.00 203	13.51 343	4.66 118	3.15 80	13.22 336	10.25 260	8.25 210	11.22 285
RHJB1412HWPL2LG	13.62 x 11.62 x 7.24 346 x 295 x 184	2	12.00 x 10.00 305 x 254		8.13 207	7.81 194	14.75 375	10.00 254	15.50 394	5.63 143	3.25 82	15.32 387	12.25 311	10.25 260	13.22 336
RHJB1614HWPL2LG	15.62 x 13.62 x 7.24 396 x 346 x 184	2	14.00 x 12.00 356 x 305		8.13 207	7.81 194	16.75 425	12.00 305	17.51 445	5.63 143	3.25 82	17.22 437	14.25 362	12.25 311	15.22 386
RHJ1008HWPL1LG	9.70 x 7.71 x 5.91 246 x 196 x 150	1	---		6.86 174	6.49 165	10.75 273	6.00 152	11.51 292	4.50 114	3.15 80	11.22 285	8.25 210	6.25 159	9.22 234
RHJ1210HWPL2LG	11.68 x 9.69 x 6.16 296 x 246 x 156	2	---		7.05 179	6.73 171	12.75 324	8.00 152	13.51 343	4.66 118	3.15 80	13.22 336	10.25 260	8.25 210	11.22 285
RHJ1412HWPL2LG	13.62 x 11.62 x 7.24 346 x 295 x 184	2	---		8.13 207	7.81 194	14.75 375	10.00 254	15.51 394	5.63 143	3.25 82	15.22 387	12.25 311	10.25 260	13.22 336
RHJ1614HWPL2LG	15.62 x 13.62 x 7.24 396 x 346 x 184	2	---		8.13 207	7.81 194	16.75 425	12.00 305	17.51 445	5.63 143	3.25 82	17.22 437	14.25 362	12.25 311	15.22 386
RHJ1816HWPL2LG	17.48 x 15.77 x 9.44 444 x 400 x 240	2	---		10.25 260	10.01 254	18.74 476	12.00 305	19.51 496	7.76 197	3.25 82	19.22 488	16.25 413	14.25 362	17.22 437

A x B x C are internal dimensions.

Purchase panels separately. Optional stainless steel, composite and aluminum panels are available for most sizes.

Panels

Enclosure Catalog Number	Steel Panel	Aluminum Panel	Panel Size in./mm
RHJB1008HWPL1LG	A10P8	A10P8AL	8.75 x 6.88 222 x 102
RHJB1210HWPL2LG	A12P10	A12P10AL	10.75 x 8.88 273 x 226
RHJB1412HWPL2LG	A14P12	A14P12AL	12.75 x 10.88 324 x 276
RHJB1614HWPL2LG	A16P14	A16P14AL	14.75 x 12.88 375 x 327
RHJ1008HWPL1LG	A10P8	A10P8AL	8.75 x 6.88 222 x 102
RHJ1210HWPL2LG	A12P10	A12P10AL	10.75 x 8.88 273 x 226
RHJ1412HWPL2LG	A14P12	A14P12AL	12.75 x 10.88 324 x 276
RHJ1614HWPL2LG	A16P14	A16P14AL	14.75 x 12.88 375 x 327
RHJ1816HWPL2LG	A18P16	A18P16AL	16.75 x 14.88 425 x 378

Raised Cover Window Enclosures

