

# EZ-Firestop® Grommet



EZ-Firestop® Grommets are a molded, two-piece grommet with an integral fire and smoke sealing foam membrane for sealing small cable penetrations through framed wall assemblies. Grommet snaps together around cable(s) and locks tightly into the wall.

## Applications

EZ-Firestop® Grommets are designed to permanently seal small cable penetrations through drywall.

## Specifications

For small cables penetrating gypsum board/stud wall assemblies, the firestop shall consist of a molded, two-piece grommet having a foam fire and smoke sealing membrane that conforms to the outside diameter of the individual cable. The grommet product shall be capable of locking into place to secure the cable penetration within the wall assembly. The grommet shall be UL Certified and tested to the requirements of ASTM E814 (UL1479) and CAN/ULC-S115.

### Specified Divisions

Division 7	07 84 13	Penetration Firestopping
Division 26	26 00 00	Electrical
Division 27	27 00 00	Communications

## Performance

EZ-Firestop® Grommets were tested to meet the exacting criteria of ASTM E814 (UL1479) and CAN/ULC-S115. Tested systems provide up to 2 hour fire ratings for small cable penetrations in gypsum board/stud wall assemblies.

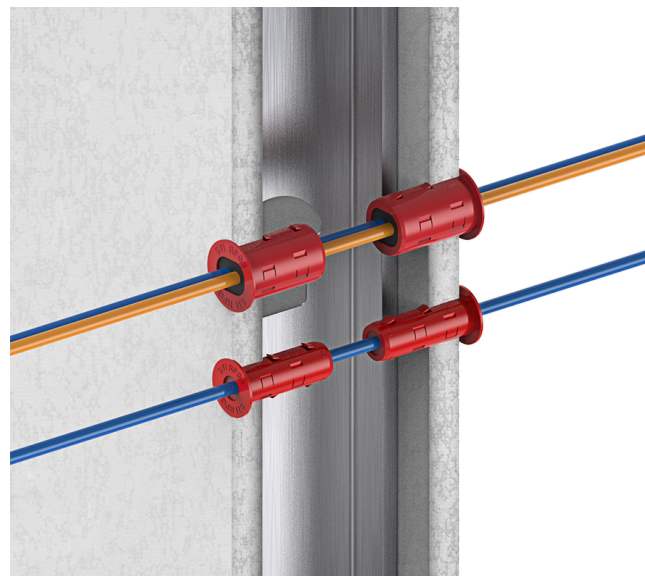


## Features & Benefits

- One or more cables with total O.D. up to 0.27" (7 mm) for RFG1
- One or more cables with total O.D. up to 0.53" (14 mm) for RFG2
- Easy firestop & smoke seal for a small cable penetrations through fire-rated walls
- For use in gypsum board wall (i.e. drywall) construction
- Tested to ASTM E814 (UL1479) and CAN/ULC-S115
- Rated for use in plenums

## Limitations

This product has been designed to be safe with plastics. It has been used extensively and successfully with various types of plastic pipes, tubes, and plastic cable insulations. Variations in these materials, however, make it impossible to guarantee compatibility. STI strongly recommends that the user consults with the pipe, tubing, or cable manufacturer in question regarding any known sensitivities or potential restrictions before applying this product.



## PHYSICAL PROPERTIES

Color	Red
Plenum Grade	Yes
Leakage Rating	Less than 1 CFM (ANSI/UL1479)
In Service Temperature	Less than 130°F (54°C)
VOC content	N/A
Shelf Life	No Limit
Overall Length	1-5/8" (41.3 mm)
Installed Depth (from wall surface)	1-9/16" (39.7 mm)
Required Opening for RFG1	9/16" (14 mm)
Weight for RFG1	0.01 lbs (5 g)
Required Opening for RFG2	1" (25 mm)
Weight for RFG2	0.03 lbs (14 g)

# EZ-Firestop® Grommet



## Maintenance

No maintenance of the grommet is normally required.

## System Selection

To find your firestop system or create a submittal, visit <https://systems.stifirestop.com/> to use System Search & Submittal Builder. You may also visit the [UL Online Certifications Directory/UL Product iQ™](#) for complete listings. (Firestop Systems).

## Technical Service

Specified Technologies Inc. provides toll free technical support to assist in product selection and appropriate installation design. UL System designs suitable for submittal or specification purposes are available on request. A complete library of technical information is provided at the company's website [www.stifirestop.com](http://www.stifirestop.com) including Safety Data Sheets (SDS's).

## Precautionary Information

No unusual hazards are known or expected. Observe normal safety procedures during installation.

## Availability

EZ-Firestop® Grommets are available from Specified Technologies Inc. (STI) authorized distributors. For additional purchasing and technical information or for the names and locations of the nearest representative and/or distributor, regarding this and other Specified Technology products, please call 1-800-992-1180 or visit [www.stifirestop.com](http://www.stifirestop.com).

## Patents

US2011088342A1; US8397452B2; USD657232S

## ORDERING INFORMATION

Catalog Number	UPC Number	Description	(UOM) Qty.	Case Qty.	Weight (Each)
RFG1	730573250587	Two-piece split cable grommet for single cable penetrations up to 0.27" (7 mm) diameter	1 Pack 10 Grommets per pack	10 Packs	0.21 lbs (0.10 kg)
RFG2	730573250594	Two-piece split cable grommet for single or multiple cable penetrations up to 0.53" (14 mm) diameter	1 Pack 10 Grommets per pack	10 Packs	0.40 lbs (0.18 kg)

IMPORTANT NOTICE: ALL STATEMENTS, TECHNICAL INFORMATION, AND RECOMMENDATIONS CONTAINED HEREIN ARE BASED UPON TESTING BELIEVED TO BE RELIABLE, BUT THE ACCURACY AND COMPLETENESS THEREOF IS NOT GUARANTEED.

STI TYPICALLY WARRANTIES ITS PRODUCTS FOR ONE FULL YEAR. FOR COMPLETE DETAILS OF OUR STANDARD WARRANTY, PLEASE VISIT [WWW.STIFIRESTOP.COM/LEGAL/WARRANTY](http://WWW.STIFIRESTOP.COM/LEGAL/WARRANTY)

MADE IN THE USA - © 2021 SPECIFIED TECHNOLOGIES INC.

# EZ-Firestop® Grommet



EZ-Firestop® Grommets are a molded, two-piece grommet with an integral fire and smoke sealing foam membrane for sealing small cable penetrations through framed wall assemblies. Grommet snaps together around cable(s) and locks tightly into the wall.

## Applications

EZ-Firestop® Grommets are designed to permanently seal small cable penetrations through drywall.

## Specifications

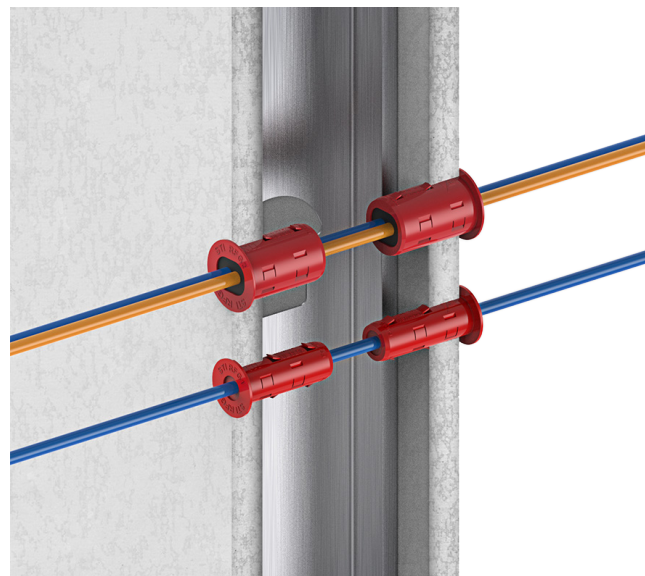
For small cables penetrating gypsum board/stud wall assemblies, the firestop shall consist of a molded, two-piece grommet having a foam fire and smoke sealing membrane that conforms to the outside diameter of the individual cable. The grommet product shall be capable of locking into place to secure the cable penetration within the wall assembly. The grommet shall be UL Certified and tested to the requirements of ASTM E814 (UL1479) and CAN/ULC-S115.

### Specified Divisions

Division 7	07 84 13	Penetration Firestopping
Division 26	26 00 00	Electrical
Division 27	27 00 00	Communications

## Performance

EZ-Firestop® Grommets were tested to meet the exacting criteria of ASTM E814 (UL1479) and CAN/ULC-S115. Tested systems provide up to 2 hour fire ratings for small cable penetrations in gypsum board/stud wall assemblies.



## PHYSICAL PROPERTIES

Color	Red
Plenum Grade	Yes
Leakage Rating	Less than 1 CFM (ANSI/UL1479)
In Service Temperature	Less than 130°F (54°C)
VOC content	N/A
Shelf Life	No Limit
Overall Length	1-5/8" (41.3 mm)
Installed Depth (from wall surface)	1-9/16" (39.7 mm)
Required Opening for RFG1	9/16" (14 mm)
Weight for RFG1	0.01 lbs (5 g)
Required Opening for RFG2	1" (25 mm)
Weight for RFG2	0.03 lbs (14 g)

## Features & Benefits

- One or more cables with total O.D. up to 0.27" (7 mm) for RFG1
- One or more cables with total O.D. up to 0.53" (14 mm) for RFG2
- Easy firestop & smoke seal for a small cable penetrations through fire-rated walls
- For use in gypsum board wall (i.e. drywall) construction
- Tested to ASTM E814 (UL1479) and CAN/ULC-S115
- Rated for use in plenums

## Limitations

This product has been designed to be safe with plastics. It has been used extensively and successfully with various types of plastic pipes, tubes, and plastic cable insulations. Variations in these materials, however, make it impossible to guarantee compatibility. STI strongly recommends that the user consults with the pipe, tubing, or cable manufacturer in question regarding any known sensitivities or potential restrictions before applying this product.

## EZ-Firestop® Grommet

EZ-Firestop®  
Grommet**Maintenance**

No maintenance of the grommet is normally required.

**System Selection**

To find your firestop system or create a submittal, visit <https://systems.stifirestop.com/> to use System Search & Submittal Builder. You may also visit the [UL Online Certifications Directory/UL Product iQ™](#) for complete listings. (Firestop Systems).

**Technical Service**

Specified Technologies Inc. provides toll free technical support to assist in product selection and appropriate installation design. UL System designs suitable for submittal or specification purposes are available on request. A complete library of technical information is provided at the company's website [www.stifirestop.com](http://www.stifirestop.com) including Safety Data Sheets (SDS's).

**Precautionary Information**

No unusual hazards are known or expected. Observe normal safety procedures during installation.

**Availability**

EZ-Firestop® Grommets are available from Specified Technologies Inc. (STI) authorized distributors. For additional purchasing and technical information or for the names and locations of the nearest representative and/or distributor, regarding this and other Specified Technology products, please call 1-800-992-1180 or visit [www.stifirestop.com](http://www.stifirestop.com).

**Patents**

US2011088342A1; US8397452B2; USD657232S

**ORDERING INFORMATION**

Catalog Number	UPC Number	Description	(UOM) Qty.	Case Qty.	Weight (Each)
RFG1	730573250587	Two-piece split cable grommet for single cable penetrations up to 0.27" (7 mm) diameter	1 Pack 10 Grommets per pack	10 Packs	0.21 lbs (0.10 kg)
RFG2	730573250594	Two-piece split cable grommet for single or multiple cable penetrations up to 0.53" (14 mm) diameter	1 Pack 10 Grommets per pack	10 Packs	0.40 lbs (0.18 kg)

IMPORTANT NOTICE: ALL STATEMENTS, TECHNICAL INFORMATION, AND RECOMMENDATIONS CONTAINED HEREIN ARE BASED UPON TESTING BELIEVED TO BE RELIABLE, BUT THE ACCURACY AND COMPLETENESS THEREOF IS NOT GUARANTEED.

STI TYPICALLY WARRANTIES ITS PRODUCTS FOR ONE FULL YEAR. FOR COMPLETE DETAILS OF OUR STANDARD WARRANTY, PLEASE VISIT [WWW.STIFIRESTOP.COM/LEGAL/WARRANTY](http://WWW.STIFIRESTOP.COM/LEGAL/WARRANTY)

MADE IN THE USA - © 2021 SPECIFIED TECHNOLOGIES INC.