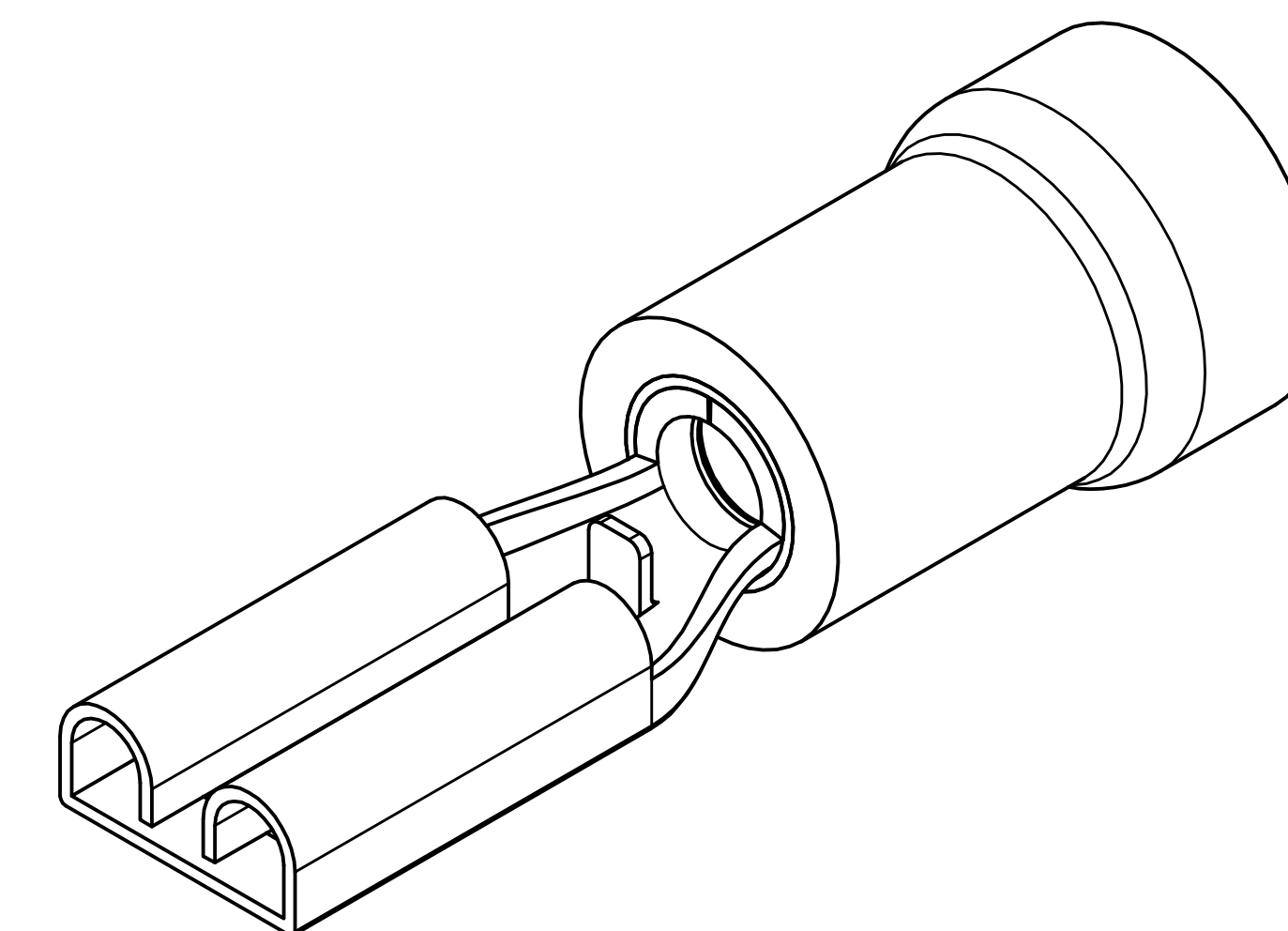
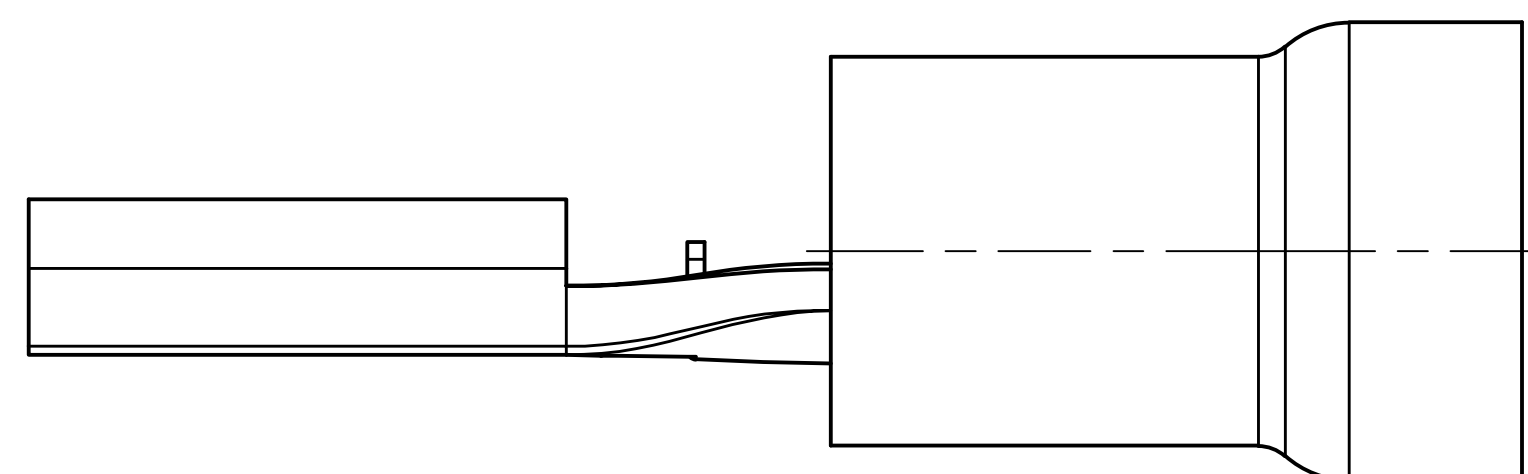
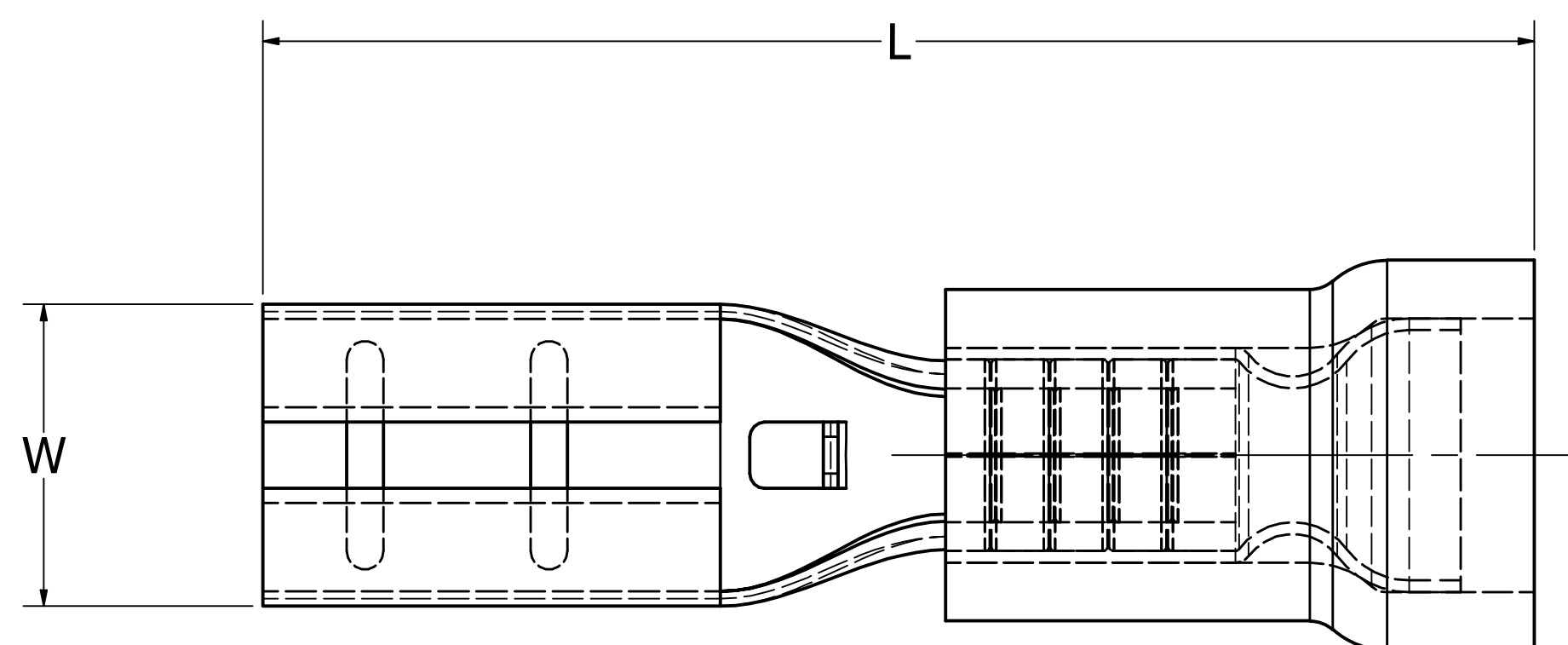


REV	DATE	DESCRIPTION	ECO	BY	C'H'K.
B	10/28/2022	ADD NOTE 7 MYLAR REEL	221027025210	PC	RR

WIRE SIZE (AWG)	7 CATALOG NUMBER	8 DISTRIBUTION QTY	9 BULK CATALOG NUMBER	BULK QTY	NEMA Tab Size	LENGTH (L)	WIDTH (W)	WIRE STRIP LENGTH ± .03 [± .8]	COLOR CODE	INSTALLATION TOOLING (ONE CRIMP)
22-16 Str. and Sol.	QP18F11X02D	100	-	1000	.11 X .02	.75 [19.0]	.11 [2.8]	3/8" [9.5]	RED	MRE1022NV, Y1022, Y10D
	QP18F18X02D	100	QP18F18X02B	1000	.19 X .02	.79 [20.1]	.19 [4.8]			
	QP18F25X03D	100	QP18F25X03B	1000	.25 X .03	.87 [22.1]	.25 [6.4]			
16-14 Str. and Sol.	QP14F11X02D	100	-	1000	.11 X .02	.75 [19.0]	.11 [2.8]		BLUE	
	QP14F18X02D	100	QP14F18X02B	1000	.19 X .02	.79 [20.1]	.19 [4.8]			
	QP14F25X03D	100	QP14F25X03B	1000	.25 X .03	.87 [22.1]	.25 [6.4]			
12-10 Str. and Sol.	QP10F18X02D*	50	QP10F18X02B	500	.19 X .02	.98 [24.9]	.19 [4.8]		YELLOW	
	QP10F25X03D	50	QP10F25X03B	500	.25 X .03	.98 [24.9]	.25 [6.4]			
	QP10F38X05D*	50	-	500	.38 X .05	1.14 [29.0]	.39 [9.9]			



NOTES:

1. TERMINAL: TIN PLATED BRASS
2. INSULATION: POLYVINYLCHLORIDE
3. DIMENSIONS IN BRACKETS [] ARE IN MILLIMETERS AND ARE FOR REFERENCE ONLY.
4. cULus LISTED ELECTRICAL QUICK-CONNECT TERMINALS PER UL310 (FILE E79563) & CSA C22.2 NO. 153 REQUIREMENTS.
5. WIRE CONNECTOR:
300V MAXIMUM
TEMPERATURE RATING OF INSULATING MATERIAL 75°C
FLAME RATING: UL94 V-0
6. ITEMS WITH CATALOG NUMBERS FOLLOWED BY ASTERISKS (*) ARE NOT cULus LISTED.

7. REMOVE "D" OR "B" SUFFIX AND ADD "M" SUFFIX FOR MYLAR REEL.
8. SUFFIX "D" DENOTES DISTRIBUTOR PACKAGING.
9. SUFFIX "B" DENOTES BULK PACKAGING.

TO ORDER BURNDY® PRODUCTS CALL		FINGRIP	
UNITED STATES 1-800-346-4175 (LONDONDERRY, NH)		ITEM NO: N/A	
CANADA: 1-800-361-6975 (QUEBEC) 1-800-387-6487 (ALL OTHER PROVINCES)		CAT. NO: TYPE QP-F	
FOR PRODUCT INFO: http://www.burndy.com		DRAWN BY: R.YOGARAJ 3/7/2019	
		CHECKER: S.VENKATESAN 3/7/2019	
		DSN APRVL: --	
		MFG APRVL: --	
		QA APRVL: --	
		MKT APRVL: --	
		PROD FAM: --	
		DRAWING NO	
		50094207	
		REV	
		B	
		SHEET 1 OF 1	