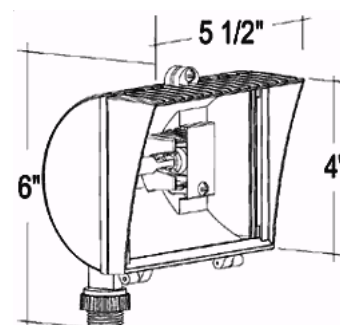


QF150F

The Mini Curve. High quality die cast flood with rounded back and integral glare shield. Tempered glass lens. Gold plated socket contacts and 250°C Teflon coated wires for extended lamp life. 150 watt double ended 130 volt Quartz halogen lamp supplied.

Color: Bronze

Weight: 1.6 lbs



Lamp Info

Type: T3
Watts: 150W
Shape/Size: N/A
Base: N/A
ANSI: N/A
Hours: 2,000
Lamp Lumens: 2,800
Efficacy: 19 LPW

Ballast Info

Type: N/A
120V: N/A
208V: N/A
240V: N/A
277V: N/A
Input Watts: 150W
Efficiency: 100%

Technical Specifications

UL Listing:

Suitable for wet locations. Suitable for mounting within 1.2m (4ft) of the ground.

Housing:

Precision die cast aluminum housing, 1/2" NPS threaded arm with locking swivel fits all standard mounting boxes. Round back design with fins for heat dissipation to extend lamp life.

Lens Gasket:

High temperature silicone gasket stays in place during relamping.

Reflector:

Semi-specular anodized aluminum.

Sockets:

Porcelain RSC base sockets with gold plated, spring loaded contacts. Teflon coated wires to extend lamp life.

Lens:

5 mm thick, tempered glass lens.

Finish:

Durable polyester powder coat bronze or white finish.

Lamp:

High quality 130 volt Quartz Halogen lamp for extended life. Accepts both 150 and 200 watt lamps.

Replacement Lamp:

LQ150 .

Hardware:

Stainless steel external hardware.

Patents:

The unique RAB Quartz Curve is protected by U.S. Patent D565,223; China Patent ZL200730149209.5; Taiwan Patent D124,862 and Canada Patent D121,992

RAB
LIGHTING

Tech Help Line: 888 RAB-1000

Email: sales@rabweb.com

On the web at: www.rabweb.com

Copyright ©2013 RAB Lighting, Inc. All Rights Reserved

Note: Specifications are subject to change without notice

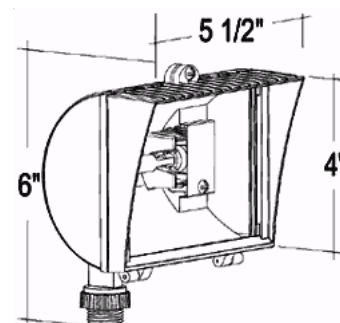
Page 1 of 1

QF150F

The Mini Curve. High quality die cast flood with rounded back and integral glare shield. Tempered glass lens. Gold plated socket contacts and 250°C Teflon coated wires for extended lamp life. 150 watt double ended 130 volt Quartz halogen lamp supplied.

Color: Bronze

Weight: 1.6 lbs



Lamp Info

Type: T3
Watts: 150W
Shape/Size: N/A
Base: N/A
ANSI: N/A
Hours: 2,000
Lamp Lumens: 2,800
Efficacy: 19 LPW

Ballast Info

Type: N/A
120V: N/A
208V: N/A
240V: N/A
277V: N/A
Input Watts: 150W
Efficiency: 100%

Technical Specifications

UL Listing:

Suitable for wet locations. Suitable for mounting within 1.2m (4ft) of the ground.

Housing:

Precision die cast aluminum housing, 1/2" NPS threaded arm with locking swivel fits all standard mounting boxes. Round back design with fins for heat dissipation to extend lamp life.

Lens Gasket:

High temperature silicone gasket stays in place during relamping.

Reflector:

Semi-specular anodized aluminum.

Sockets:

Porcelain RSC base sockets with gold plated, spring loaded contacts. Teflon coated wires to extend lamp life.

Lens:

5 mm thick, tempered glass lens.

Finish:

Durable polyester powder coat bronze or white finish.

Lamp:

High quality 130 volt Quartz Halogen lamp for extended life. Accepts both 150 and 200 watt lamps.

Replacement Lamp:

LQ150 .

Hardware:

Stainless steel external hardware.

Patents:

The unique RAB Quartz Curve is protected by U.S. Patent D565,223; China Patent ZL200730149209.5; Taiwan Patent D124,862 and Canada Patent D121,992

