

Pulling Elbows



Pulling Elbows

Description:

Plasti-Bond REDH₂O_T LBD conduit bodies are used at 90° bends in conduit runs to allow straight pulls at bends, to serve as pull outlets for stiff conductors, to allow for service entrance into buildings, or to allow conductor entrance into motors. Electrical continuity of the conduit system is maintained across assembled joints.

Features:

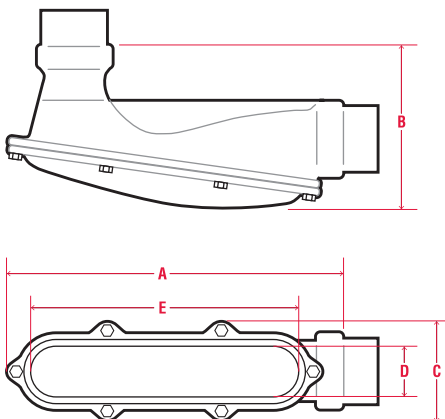
- 40 mil gray PVC exterior coating
- 2 mil red urethane interior coating
- 10 trade sizes from 1/2" through 4"
- Sealing sleeves on all conduit openings
- Molded-in seal between body and cover
- Domed covers allow gentle bends of conductors
- Shipped with covers
- Angled covers allow straight pulling in either direction

Standards:

Steel Fittings Only

- UL 514B (E200413)

Pulling Elbows Technical Data



PULLING ELBOWS LBD

PIPE SIZE	FERROUS CATALOG #	NOMINAL WEIGHT	A	B	C	D	E	ALUMINUM CATALOG #
1/2"	PRLBD1100	1.2	5.00	2.35	1.39	1.00	3.34	PRLBD1100SA
3/4"	PRLBD2200	2.0	6.25	2.67	1.64	1.25	4.53	PRLBD2200SA
1"	PRLBD3300	2.5	6.25	2.98	1.89	1.50	4.34	PRLBD3300SA
1-1/4"	PRLBD4400	6.0	8.63	4.29	3.58	1.81	7.19	PRLBD4400SA
1-1/2"	PRLBD5500	11.5	12.44	5.48	4.71	2.63	10.88	PRLBD5500SA
2"	PRLBD6600	18.0	12.44	5.48	4.71	2.63	10.88	PRLBD6600SA
2-1/2"	PRLBD7700	22.0	19.69	9.60	5.71	3.00	15.75	PRLBD7700SA
3"	PRLBD8800	35.0	19.69	9.60	5.71	3.00	15.75	PRLBD8800SA
3-1/2"	PRLBD9900	60.0	20.88	10.92	7.83	4.75	19.89	-
3-1/2"	-	60.0	27.81	11.92	7.21	4.00	24.00	PRLBD9900SA
4"	PRLBD10900	70.0	20.88	10.92	7.83	4.75	19.89	-
4"	-	70.0	27.81	11.92	7.21	4.00	24.00	PRLBD10900SA



Contact us:
customerservice@plastibond.com



Visit www.plastibond.com
 For more information

Pulling Elbows



Pulling Elbows

Description:

Plasti-Bond REDH₂O^T LBD conduit bodies are used at 90° bends in conduit runs to allow straight pulls at bends, to serve as pull outlets for stiff conductors, to allow for service entrance into buildings, or to allow conductor entrance into motors. Electrical continuity of the conduit system is maintained across assembled joints.

Features:

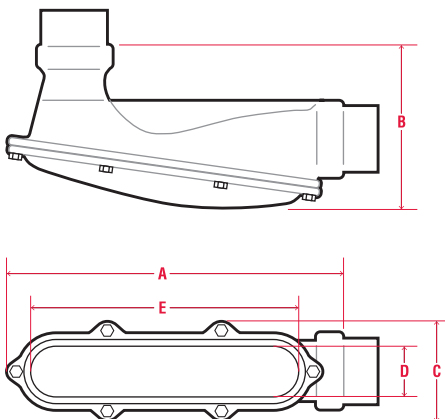
- 40 mil gray PVC exterior coating
- 2 mil red urethane interior coating
- 10 trade sizes from 1/2" through 4"
- Sealing sleeves on all conduit openings
- Molded-in seal between body and cover
- Domed covers allow gentle bends of conductors
- Shipped with covers
- Angled covers allow straight pulling in either direction

Standards:

Steel Fittings Only

- UL 514B (E200413)

Pulling Elbows Technical Data



PULLING ELBOWS LBD

PIPE SIZE	FERROUS CATALOG #	NOMINAL WEIGHT	A	B	C	D	E	ALUMINUM CATALOG #
1/2"	PRLBD1100	1.2	5.00	2.35	1.39	1.00	3.34	PRLBD1100SA
3/4"	PRLBD2200	2.0	6.25	2.67	1.64	1.25	4.53	PRLBD2200SA
1"	PRLBD3300	2.5	6.25	2.98	1.89	1.50	4.34	PRLBD3300SA
1-1/4"	PRLBD4400	6.0	8.63	4.29	3.58	1.81	7.19	PRLBD4400SA
1-1/2"	PRLBD5500	11.5	12.44	5.48	4.71	2.63	10.88	PRLBD5500SA
2"	PRLBD6600	18.0	12.44	5.48	4.71	2.63	10.88	PRLBD6600SA
2-1/2"	PRLBD7700	22.0	19.69	9.60	5.71	3.00	15.75	PRLBD7700SA
3"	PRLBD8800	35.0	19.69	9.60	5.71	3.00	15.75	PRLBD8800SA
3-1/2"	PRLBD9900	60.0	20.88	10.92	7.83	4.75	19.89	-
3-1/2"	-	60.0	27.81	11.92	7.21	4.00	24.00	PRLBD9900SA
4"	PRLBD10900	70.0	20.88	10.92	7.83	4.75	19.89	-
4"	-	70.0	27.81	11.92	7.21	4.00	24.00	PRLBD10900SA



Contact us:
customerservice@plastibond.com



Visit www.plastibond.com
 For more information