



## Liquid Tight Connectors

### Description:

Plasti-Bond REDH<sub>2</sub>OT liquid tight connectors are used with liquid tight conduit to wire motors, transformers, processing equipment, pumps, etc. The flexible conduit and the PVC coated connector work together to seal out water and other corrosive liquids, protecting the conductors from damage.

### Features:

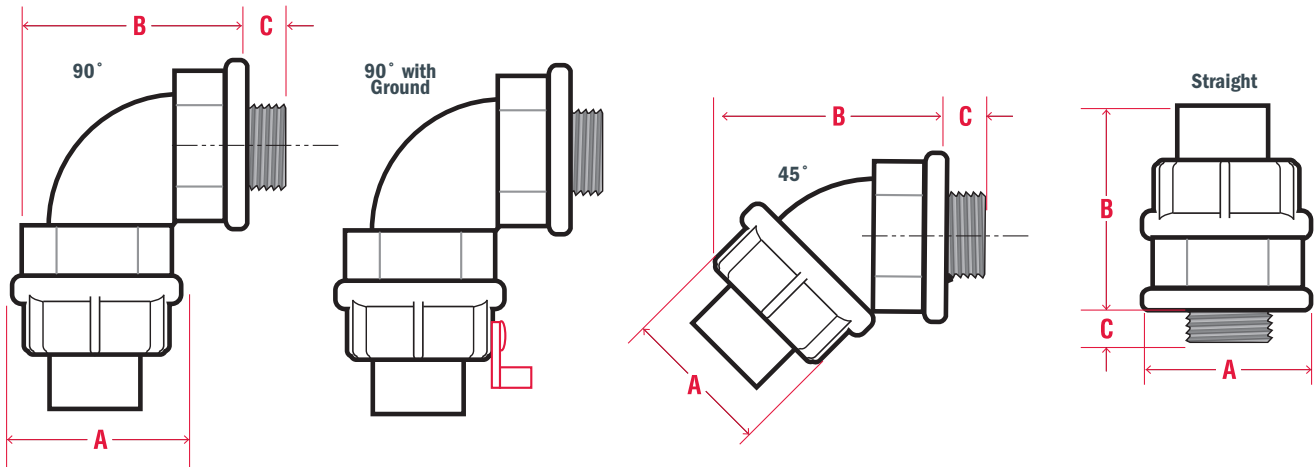
- 40 mil gray PVC exterior coating
- 2 mil red urethane interior coating
- 13 trade sizes from 3/8" through 6"
- Sealing sleeves on all conduit openings
- Available in straight, 45° or 90° body configurations
- Available with an external grounding lug

### Standards:

#### Steel Fittings Only

- UL 514B (E200413), UL 467 (E217890)

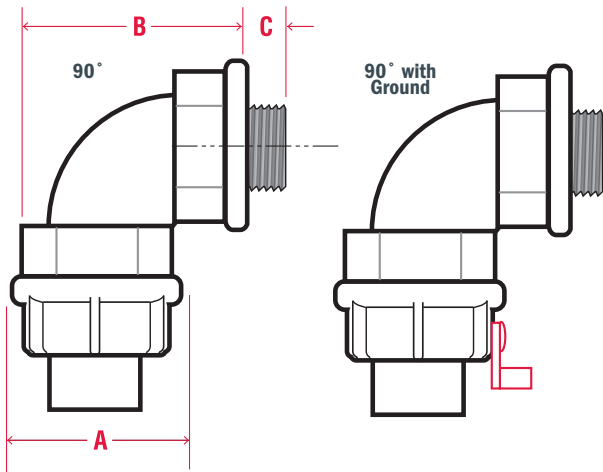
### LIQUID TIGHT CONNECTORS CONFIGURATIONS



# Liquid Tight Connectors

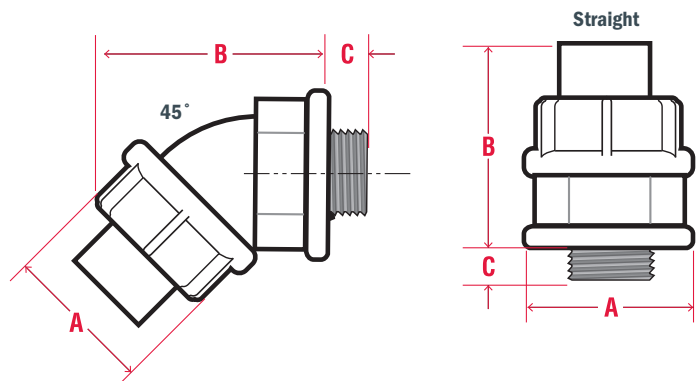
## STRAIGHT CONNECTOR

| PIPE SIZE | FERROUS CATALOG # | A    | B    | C    | NOMINAL WEIGHT | ALUMINUM CATALOG # |
|-----------|-------------------|------|------|------|----------------|--------------------|
| 3/8"      | PR5331            | 1.24 | 1.50 | 0.56 | 0.2            | PR5231AL           |
| 1/2"      | PR5332            | 1.46 | 1.56 | 0.56 | 0.2            | PR5232AL           |
| 3/4"      | PR5333            | 1.74 | 1.63 | 0.56 | 0.3            | PR5233AL           |
| 1"        | PR5334            | 1.96 | 2.06 | 0.75 | 0.4            | PR5234AL           |
| 1-1/4"    | PR5335            | 2.36 | 2.50 | 0.81 | 0.8            | PR5235AL           |
| 1-1/2"    | PR5336            | 2.80 | 2.69 | 0.81 | 0.9            | PR5236AL           |
| 2"        | PR5337            | 3.33 | 3.06 | 0.88 | 1.7            | PR5237AL           |
| 2-1/2"    | PR5338            | 3.83 | 4.13 | 1.00 | 3.0            | PR5238AL           |
| 3"        | PR5339            | 4.58 | 4.25 | 1.00 | 4.2            | PR5239AL           |
| 4"        | PR5340            | 5.58 | 4.50 | 1.13 | 6.2            | PR5240AL           |



## STRAIGHT CONNECTOR WITH GROUND

| PIPE SIZE | FERROUS CATALOG # | A    | B    | C    | GROUND WIRE | NOMINAL WEIGHT | ALUMINUM CATALOG # |
|-----------|-------------------|------|------|------|-------------|----------------|--------------------|
| 3/8"      | PR5331GR          | 1.24 | 1.50 | 0.56 | 14-8        | 0.2            | PR5231GRAL         |
| 1/2"      | PR5332GR          | 1.46 | 1.56 | 0.56 | 14-8        | 0.2            | PR5232GRAL         |
| 3/4"      | PR5333GR          | 1.74 | 1.63 | 0.56 | 14-4        | 0.3            | PR5233GRAL         |
| 1"        | PR5334GR          | 1.96 | 2.06 | 0.75 | 14-4        | 0.4            | PR5234GRAL         |
| 1-1/4"    | PR5335GR          | 2.33 | 2.50 | 0.81 | 8/2/04      | 0.8            | PR5235GRAL         |
| 1-1/2"    | PR5336GR          | 3.33 | 2.69 | 0.81 | 4/3/04      | 0.9            | PR5236GRAL         |
| 2"        | PR5337GR          | 3.89 | 3.06 | 0.88 | 4/3/04      | 1.7            | PR5237GRAL         |
| 2-1/2"    | PR5338GR          | 4.52 | 4.13 | 1.00 | 2/5/04      | 3.0            | PR5238GRAL         |
| 3"        | PR5339GR          | 5.27 | 4.25 | 1.00 | 2/5/04      | 4.2            | PR5239GRAL         |
| 4"        | PR5340GR          | 6.21 | 4.50 | 1.13 | 2/5/04      | 6.2            | PR5240GRAL         |



## 45° CONNECTOR

| PIPE SIZE | FERROUS CATALOG # | A    | B    | C    | NOMINAL WEIGHT |
|-----------|-------------------|------|------|------|----------------|
| 3/8"      | PR5341            | 1.24 | 1.56 | 0.56 | 0.3            |
| 1/2"      | PR5342            | 1.46 | 1.88 | 0.56 | 0.3            |
| 3/4"      | PR5343            | 1.74 | 2.13 | 0.56 | 0.4            |
| 1"        | PR5344            | 1.96 | 2.25 | 0.75 | 0.5            |
| 1-1/4"    | PR5345            | 2.36 | 2.75 | 0.81 | 1.5            |
| 1-1/2"    | PR5346            | 2.80 | 3.38 | 0.81 | 1.2            |
| 2"        | PR5347            | 3.33 | 3.88 | 0.88 | 2.0            |
| 2-1/2"    | PR5348            | 3.83 | 4.25 | 1.00 | 3.0            |
| 3"        | PR5349            | 4.58 | 4.25 | 1.00 | 4.2            |
| 4"        | PR5350            | 5.58 | 4.63 | 1.13 | 6.2            |

## 45° CONNECTOR WITH GROUND

| PIPE SIZE | FERROUS CATALOG # | A    | B    | C    | GROUND WIRE | NOMINAL WEIGHT |
|-----------|-------------------|------|------|------|-------------|----------------|
| 3/8"      | PR5341GR          | 1.24 | 1.56 | 0.56 | 14-8        | 0.3            |
| 1/2"      | PR5342GR          | 1.46 | 1.88 | 0.56 | 14-8        | 0.3            |
| 3/4"      | PR5343GR          | 1.74 | 2.13 | 0.56 | 14-4        | 0.4            |
| 1"        | PR5344GR          | 1.96 | 2.25 | 0.75 | 14-4        | 0.5            |
| 1-1/4"    | PR5345GR          | 2.33 | 2.75 | 0.81 | 4/3/04      | 1.5            |
| 1-1/2"    | PR5346GR          | 3.33 | 3.38 | 0.81 | 4/3/04      | 1.2            |
| 2"        | PR5347GR          | 3.89 | 3.88 | 0.88 | 4/3/04      | 2.0            |
| 2-1/2"    | PR5348GR          | 4.52 | 4.25 | 1.00 | 2/5/04      | 3.0            |
| 3"        | PR5349GR          | 5.27 | 4.25 | 1.00 | 2/5/04      | 4.2            |
| 4"        | PR5350GR          | 6.21 | 4.63 | 1.13 | 2/5/04      | 6.2            |

## 90° CONNECTOR

| PIPE SIZE | FERROUS CATALOG # | A    | B     | C    | NOMINAL WEIGHT | ALUMINUM CATALOG # |
|-----------|-------------------|------|-------|------|----------------|--------------------|
| 3/8"      | PR5351            | 1.24 | 1.38  | 0.56 | 0.3            | PR5251AL           |
| 1/2"      | PR5352            | 1.46 | 1.56  | 0.56 | 0.3            | PR5252AL           |
| 3/4"      | PR5353            | 1.74 | 1.75  | 0.56 | 0.4            | PR5253AL           |
| 1"        | PR5354            | 1.96 | 2.19  | 0.75 | 0.6            | PR5254AL           |
| 1-1/4"    | PR5355            | 2.36 | 2.75  | 0.81 | 1.0            | PR5255AL           |
| 1-1/2"    | PR5356            | 2.80 | 2.94  | 0.81 | 1.7            | PR5256AL           |
| 2"        | PR5357            | 3.33 | 3.44  | 0.88 | 2.7            | PR5257AL           |
| 2-1/2"    | PR5358            | 3.83 | 8.88  | 1.00 | 3.8            | -                  |
| 3"        | PR5359            | 4.58 | 10.25 | 1.00 | 4.2            | -                  |
| 4"        | PR5360            | 5.58 | 12.63 | 1.13 | 6.2            | -                  |

## 90° CONNECTOR WITH GROUND

| PIPE SIZE | FERROUS CATALOG # | A    | B     | C    | GROUND WIRE | NOMINAL WEIGHT | ALUMINUM CATALOG # |
|-----------|-------------------|------|-------|------|-------------|----------------|--------------------|
| 3/8"      | PR5351GR          | 1.24 | 1.25  | 0.56 | 14-8        | 0.3            | PR5251GRAL         |
| 1/2"      | PR5352GR          | 1.46 | 1.44  | 0.56 | 14-8        | 0.3            | PR5252GRAL         |
| 3/4"      | PR5353GR          | 1.74 | 1.81  | 0.56 | 14-4        | 0.4            | PR5253GRAL         |
| 1"        | PR5354GR          | 1.96 | 2.06  | 0.75 | 14-4        | 0.6            | PR5254GRAL         |
| 1-1/4"    | PR5355GR          | 2.33 | 2.50  | 0.81 | 8/2/04      | 1.0            | PR5255GRAL         |
| 1-1/2"    | PR5356GR          | 3.33 | 2.94  | 0.81 | 4/3/04      | 1.7            | PR5256GRAL         |
| 2"        | PR5357GR          | 3.89 | 3.44  | 0.88 | 4/3/04      | 2.7            | PR5257GRAL         |
| 2-1/2"    | PR5358GR          | 4.52 | 8.88  | 1.00 | 2/5/04      | 3.8            | -                  |
| 3"        | PR5359GR          | 5.27 | 10.25 | 1.00 | 2/5/04      | 4.2            | -                  |
| 4"        | PR5360GR          | 6.21 | 12.63 | 1.13 | 2/5/04      | 6.2            | -                  |



Contact us:  
customerservice@plastibond.com



Visit [www.plastibond.com](http://www.plastibond.com)  
For more information



## Liquid Tight Connectors

### Description:

Plasti-Bond REDH<sub>2</sub>OT liquid tight connectors are used with liquid tight conduit to wire motors, transformers, processing equipment, pumps, etc. The flexible conduit and the PVC coated connector work together to seal out water and other corrosive liquids, protecting the conductors from damage.

### Features:

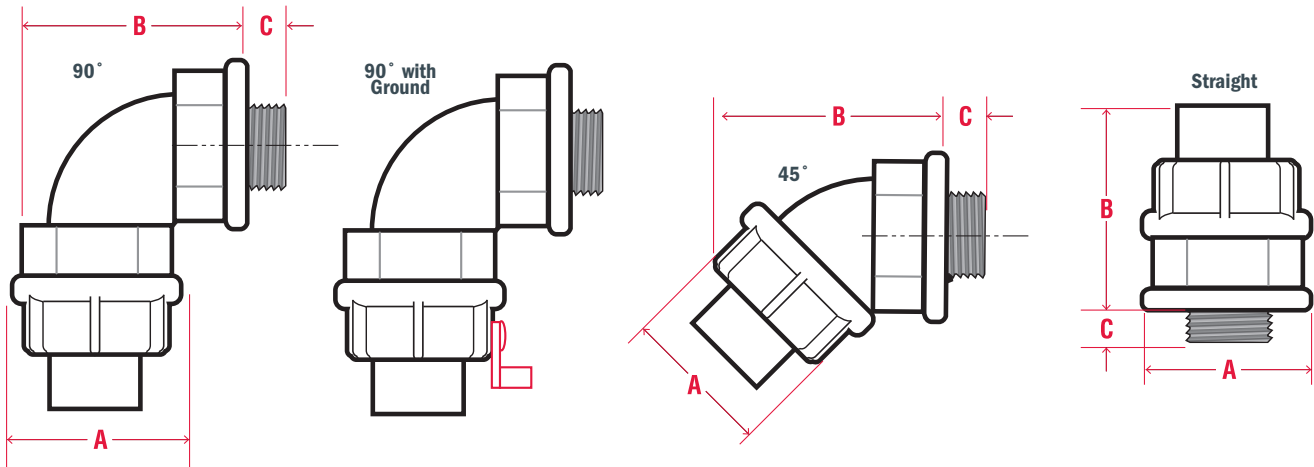
- 40 mil gray PVC exterior coating
- 2 mil red urethane interior coating
- 13 trade sizes from 3/8" through 6"
- Sealing sleeves on all conduit openings
- Available in straight, 45° or 90° body configurations
- Available with an external grounding lug

### Standards:

#### Steel Fittings Only

- UL 514B (E200413), UL 467 (E217890)

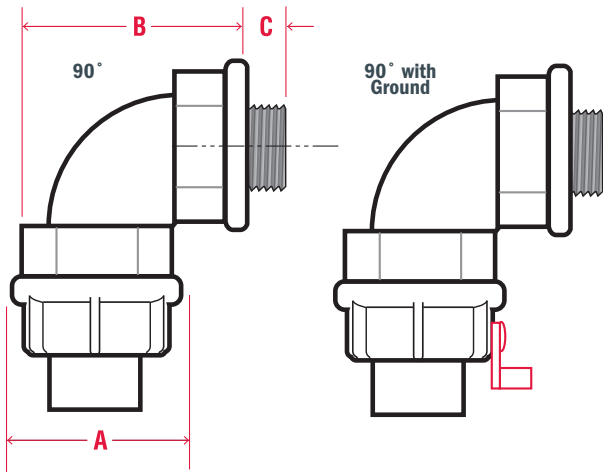
### LIQUID TIGHT CONNECTORS CONFIGURATIONS



# Liquid Tight Connectors

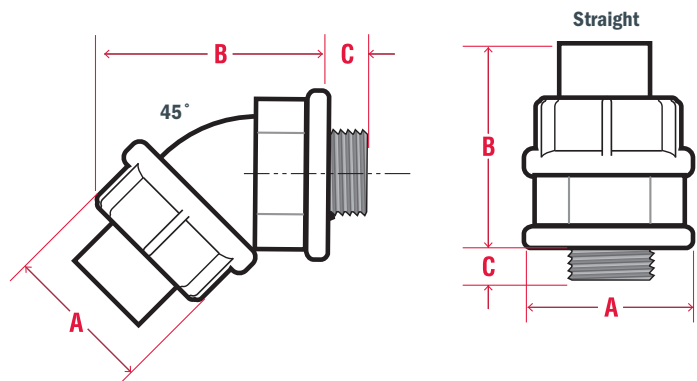
## STRAIGHT CONNECTOR

| PIPE SIZE | FERROUS CATALOG # | A    | B    | C    | NOMINAL WEIGHT | ALUMINUM CATALOG # |
|-----------|-------------------|------|------|------|----------------|--------------------|
| 3/8"      | PR5331            | 1.24 | 1.50 | 0.56 | 0.2            | PR5231AL           |
| 1/2"      | PR5332            | 1.46 | 1.56 | 0.56 | 0.2            | PR5232AL           |
| 3/4"      | PR5333            | 1.74 | 1.63 | 0.56 | 0.3            | PR5233AL           |
| 1"        | PR5334            | 1.96 | 2.06 | 0.75 | 0.4            | PR5234AL           |
| 1-1/4"    | PR5335            | 2.36 | 2.50 | 0.81 | 0.8            | PR5235AL           |
| 1-1/2"    | PR5336            | 2.80 | 2.69 | 0.81 | 0.9            | PR5236AL           |
| 2"        | PR5337            | 3.33 | 3.06 | 0.88 | 1.7            | PR5237AL           |
| 2-1/2"    | PR5338            | 3.83 | 4.13 | 1.00 | 3.0            | PR5238AL           |
| 3"        | PR5339            | 4.58 | 4.25 | 1.00 | 4.2            | PR5239AL           |
| 4"        | PR5340            | 5.58 | 4.50 | 1.13 | 6.2            | PR5240AL           |



## STRAIGHT CONNECTOR WITH GROUND

| PIPE SIZE | FERROUS CATALOG # | A    | B    | C    | GROUND WIRE | NOMINAL WEIGHT | ALUMINUM CATALOG # |
|-----------|-------------------|------|------|------|-------------|----------------|--------------------|
| 3/8"      | PR5331GR          | 1.24 | 1.50 | 0.56 | 14-8        | 0.2            | PR5231GRAL         |
| 1/2"      | PR5332GR          | 1.46 | 1.56 | 0.56 | 14-8        | 0.2            | PR5232GRAL         |
| 3/4"      | PR5333GR          | 1.74 | 1.63 | 0.56 | 14-4        | 0.3            | PR5233GRAL         |
| 1"        | PR5334GR          | 1.96 | 2.06 | 0.75 | 14-4        | 0.4            | PR5234GRAL         |
| 1-1/4"    | PR5335GR          | 2.33 | 2.50 | 0.81 | 8/2/04      | 0.8            | PR5235GRAL         |
| 1-1/2"    | PR5336GR          | 3.33 | 2.69 | 0.81 | 4/3/04      | 0.9            | PR5236GRAL         |
| 2"        | PR5337GR          | 3.89 | 3.06 | 0.88 | 4/3/04      | 1.7            | PR5237GRAL         |
| 2-1/2"    | PR5338GR          | 4.52 | 4.13 | 1.00 | 2/5/04      | 3.0            | PR5238GRAL         |
| 3"        | PR5339GR          | 5.27 | 4.25 | 1.00 | 2/5/04      | 4.2            | PR5239GRAL         |
| 4"        | PR5340GR          | 6.21 | 4.50 | 1.13 | 2/5/04      | 6.2            | PR5240GRAL         |



## 45° CONNECTOR

| PIPE SIZE | FERROUS CATALOG # | A    | B    | C    | NOMINAL WEIGHT |
|-----------|-------------------|------|------|------|----------------|
| 3/8"      | PR5341            | 1.24 | 1.56 | 0.56 | 0.3            |
| 1/2"      | PR5342            | 1.46 | 1.88 | 0.56 | 0.3            |
| 3/4"      | PR5343            | 1.74 | 2.13 | 0.56 | 0.4            |
| 1"        | PR5344            | 1.96 | 2.25 | 0.75 | 0.5            |
| 1-1/4"    | PR5345            | 2.36 | 2.75 | 0.81 | 1.5            |
| 1-1/2"    | PR5346            | 2.80 | 3.38 | 0.81 | 1.2            |
| 2"        | PR5347            | 3.33 | 3.88 | 0.88 | 2.0            |
| 2-1/2"    | PR5348            | 3.83 | 4.25 | 1.00 | 3.0            |
| 3"        | PR5349            | 4.58 | 4.25 | 1.00 | 4.2            |
| 4"        | PR5350            | 5.58 | 4.63 | 1.13 | 6.2            |

## 45° CONNECTOR WITH GROUND

| PIPE SIZE | FERROUS CATALOG # | A    | B    | C    | GROUND WIRE | NOMINAL WEIGHT |
|-----------|-------------------|------|------|------|-------------|----------------|
| 3/8"      | PR5341GR          | 1.24 | 1.56 | 0.56 | 14-8        | 0.3            |
| 1/2"      | PR5342GR          | 1.46 | 1.88 | 0.56 | 14-8        | 0.3            |
| 3/4"      | PR5343GR          | 1.74 | 2.13 | 0.56 | 14-4        | 0.4            |
| 1"        | PR5344GR          | 1.96 | 2.25 | 0.75 | 14-4        | 0.5            |
| 1-1/4"    | PR5345GR          | 2.33 | 2.75 | 0.81 | 4/3/04      | 1.5            |
| 1-1/2"    | PR5346GR          | 3.33 | 3.38 | 0.81 | 4/3/04      | 1.2            |
| 2"        | PR5347GR          | 3.89 | 3.88 | 0.88 | 4/3/04      | 2.0            |
| 2-1/2"    | PR5348GR          | 4.52 | 4.25 | 1.00 | 2/5/04      | 3.0            |
| 3"        | PR5349GR          | 5.27 | 4.25 | 1.00 | 2/5/04      | 4.2            |
| 4"        | PR5350GR          | 6.21 | 4.63 | 1.13 | 2/5/04      | 6.2            |

## 90° CONNECTOR

| PIPE SIZE | FERROUS CATALOG # | A    | B     | C    | NOMINAL WEIGHT | ALUMINUM CATALOG # |
|-----------|-------------------|------|-------|------|----------------|--------------------|
| 3/8"      | PR5351            | 1.24 | 1.38  | 0.56 | 0.3            | PR5251AL           |
| 1/2"      | PR5352            | 1.46 | 1.56  | 0.56 | 0.3            | PR5252AL           |
| 3/4"      | PR5353            | 1.74 | 1.75  | 0.56 | 0.4            | PR5253AL           |
| 1"        | PR5354            | 1.96 | 2.19  | 0.75 | 0.6            | PR5254AL           |
| 1-1/4"    | PR5355            | 2.36 | 2.75  | 0.81 | 1.0            | PR5255AL           |
| 1-1/2"    | PR5356            | 2.80 | 2.94  | 0.81 | 1.7            | PR5256AL           |
| 2"        | PR5357            | 3.33 | 3.44  | 0.88 | 2.7            | PR5257AL           |
| 2-1/2"    | PR5358            | 3.83 | 8.88  | 1.00 | 3.8            | -                  |
| 3"        | PR5359            | 4.58 | 10.25 | 1.00 | 4.2            | -                  |
| 4"        | PR5360            | 5.58 | 12.63 | 1.13 | 6.2            | -                  |

## 90° CONNECTOR WITH GROUND

| PIPE SIZE | FERROUS CATALOG # | A    | B     | C    | GROUND WIRE | NOMINAL WEIGHT | ALUMINUM CATALOG # |
|-----------|-------------------|------|-------|------|-------------|----------------|--------------------|
| 3/8"      | PR5351GR          | 1.24 | 1.25  | 0.56 | 14-8        | 0.3            | PR5251GRAL         |
| 1/2"      | PR5352GR          | 1.46 | 1.44  | 0.56 | 14-8        | 0.3            | PR5252GRAL         |
| 3/4"      | PR5353GR          | 1.74 | 1.81  | 0.56 | 14-4        | 0.4            | PR5253GRAL         |
| 1"        | PR5354GR          | 1.96 | 2.06  | 0.75 | 14-4        | 0.6            | PR5254GRAL         |
| 1-1/4"    | PR5355GR          | 2.33 | 2.50  | 0.81 | 8/2/04      | 1.0            | PR5255GRAL         |
| 1-1/2"    | PR5356GR          | 3.33 | 2.94  | 0.81 | 4/3/04      | 1.7            | PR5256GRAL         |
| 2"        | PR5357GR          | 3.89 | 3.44  | 0.88 | 4/3/04      | 2.7            | PR5257GRAL         |
| 2-1/2"    | PR5358GR          | 4.52 | 8.88  | 1.00 | 2/5/04      | 3.8            | -                  |
| 3"        | PR5359GR          | 5.27 | 10.25 | 1.00 | 2/5/04      | 4.2            | -                  |
| 4"        | PR5360GR          | 6.21 | 12.63 | 1.13 | 2/5/04      | 6.2            | -                  |



Contact us:  
customerservice@plastibond.com



Visit [www.plastibond.com](http://www.plastibond.com)  
For more information