

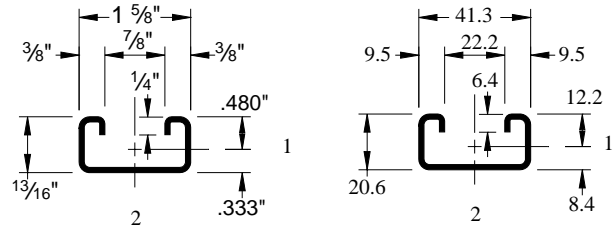
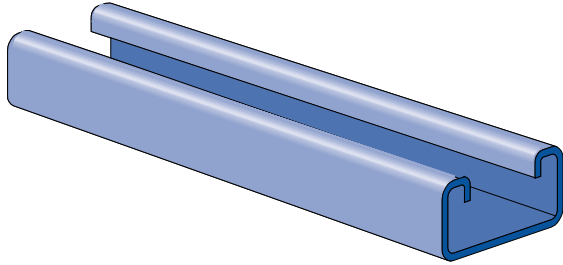
# P4100™ & P4101 CHANNELS

FOR 1 5/8" (41 MM) WIDTH SERIES CHANNEL



1 5/8" Channels

## P4100



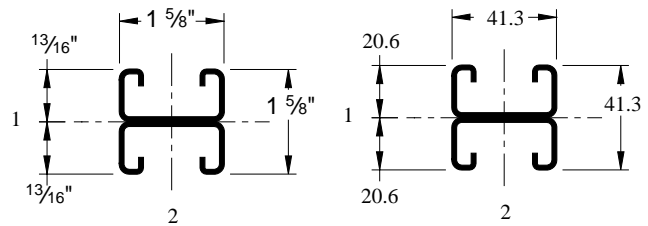
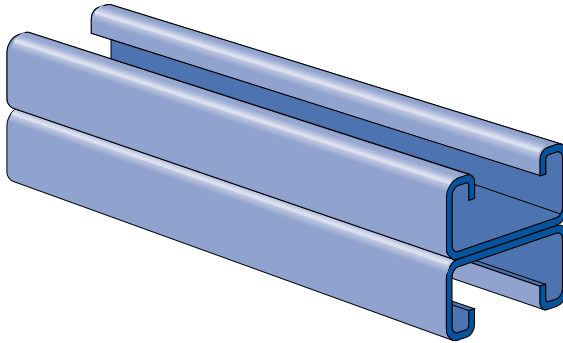
Pierced channels are found on pages 60 and 61.

Weight: 97 Lbs/C Ft (144 kg/100 m)

Nuts & Hardware

General Fittings

## P4101



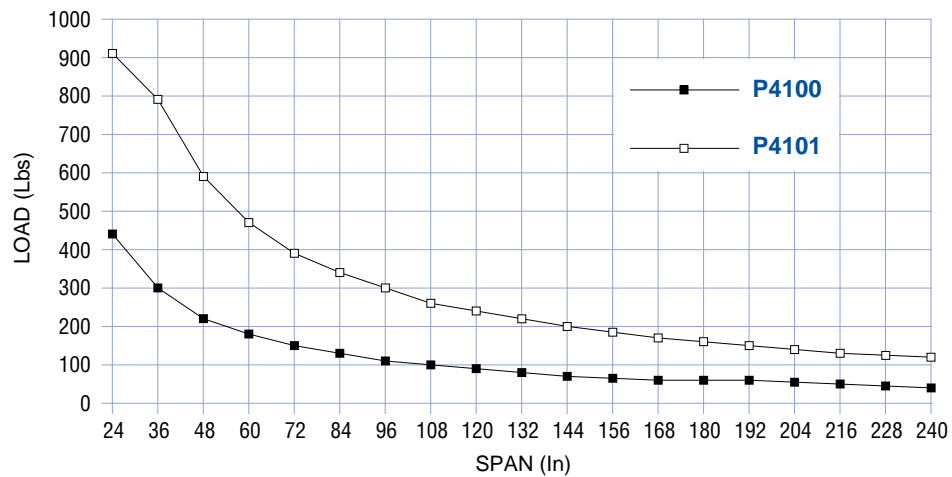
Weight: 194 Lbs/C Ft (289 kg/100 m)

Pipe/Conduit Supports

Electrical Fittings

Concrete Inserts

## BEAM LOAD\*



\*Maximum allowable uniform load.

| Channel | Weight |      | Allowable Moment |     | Material Thickness |     | Standard Lengths |     | Finishes |    |    |    | Other Materials |    |
|---------|--------|------|------------------|-----|--------------------|-----|------------------|-----|----------|----|----|----|-----------------|----|
|         | Lbs/Ft | kg/m | In-Lb            | N*m | In                 | mm  | 10'              | 20' | PL       | GR | HG | PG | SS              | EA |
| P4100   | .97    | 1.4  | 1,330            | 150 | .075               | 1.9 | ■                | ■   | ■        | ■  | ■  | ■  |                 |    |
| P4101   | 1.94   | 2.9  | 3,550            | 400 | .075               | 1.9 | ■                | ■   | ■        | ■  | ■  | ■  |                 |    |

Nominal thickness of 14 gage strip steel is .075 inches.

Index

Spec. Metals & Fiberglass

13/16" Framing System

1 1/4" Framing System

# CHANNELS & COMBINATIONS

FOR 1½" (41 MM) WIDTH SERIES CHANNEL



|                           |
|---------------------------|
| 1 5/8" Channels           |
| Nuts & Hardware           |
| General Fittings          |
| Pipe/Conduit Supports     |
| Electrical Fittings       |
| Concrete Inserts          |
| 1¼" Framing System        |
| 13/16" Framing System     |
| Spec. Metals & Fiberglass |
| Index                     |

|                                | Page |
|--------------------------------|------|
| <b>P1000</b><br>12 Gage        | 23   |
| <b>P1100</b><br>14 Gage        | 32   |
| <b>P2000</b><br>16 Gage        | 36   |
| <b>P3000</b><br>12 Gage        | 40   |
| <b>P3300</b><br>12 Gage        | 43   |
| <b>P4000</b><br>16 Gage        | 46   |
| <b>P4100</b><br>14 Gage        | 50   |
| <b>P5000</b><br>12 Gage        | 53   |
| <b>P5500</b><br>12 Gage        | 56   |
| <b>Closure Strips</b>          | 59   |
| <b>Pierced Sections</b>        | 60   |
| <b>P9000 Series</b><br>12 Gage | 62   |



### MATERIAL

Unistrut channels are accurately and carefully cold formed to size from low-carbon strip steel.

Spot-welded combination members are welded 3" (maximum) on center.

#### STEEL: PLAIN

12 Ga. (2.7 mm), 14 Ga.(1.9 mm)  
ASTM A570 GR 33  
16 Ga. (1.5 mm) ASTM A366

#### STEEL: PRE-GALVANIZED

12 Ga. (2.7 mm), 14 Ga. (1.9 mm)  
and 16 Ga. (1.5mm) ASTM A653  
GR 33

For other materials, see Special Metals and Fiberglass section.

### FINISHES

All channels are available in: Perma Green II (GR), pre-galvanized (PG), conforming to ASTM A653; Hot-dipped galvanized (HG), conforming to ASTM A123 or A153; and plain (PL).

### STANDARD LENGTHS

Standard lengths are 10 feet (3.05m) and 20 feet (6.10m). Tolerances are +⅛" (3.2 mm) to +½" (12.7 mm) to allow for cutting. Special lengths are available for a small cutting charge with a tolerance of ±⅛" (3.2mm).

### CURVED CHANNEL

Many Unistrut 1½" (41mm) channel sections are available as curved pieces in both single and combination styles. Contact your local Unistrut Service Center or Unistrut Corporation for ordering information.

### DIMENSIONS

Imperial dimensions are illustrated in inches. Metric dimensions are shown in millimeters and rounded to one decimal place.

### LOAD DATA

All beam and column load data pertains to carbon steel and stainless steel channels. Load tables and charts are constructed to be in accordance with the SPECIFICATION FOR THE DESIGN OF COLD-FORMED STEEL STRUCTURAL MEMBERS AUGUST 19, 1986 EDITION with DECEMBER 11, 1989 ADDENDUM published by the AMERICAN IRON AND STEEL INSTITUTE.

# CHANNELS & COMBINATIONS

FOR 1 5/8" (41 MM) WIDTH SERIES CHANNEL



1 5/8" Channels

Nuts & Hardware

General Fittings

Pipe/Conduit Supports

Electrical Fittings

Concrete Inserts

1/4" Framing System

3/16" Framing System

Spec. Metals & Fiberglass

Index

## CHANNEL SELECTION CHART

| Channel      | Channel Dimensions |    |        |    | Material & Thickness |                         |       | Hole Pattern Styles |   |    |    |    |    |
|--------------|--------------------|----|--------|----|----------------------|-------------------------|-------|---------------------|---|----|----|----|----|
|              | Width              |    | Height |    | Steel                | Stain-<br>less<br>Steel | Alum. | KO                  | T | SL | HS | DS | H3 |
|              | In                 | mm | In     | mm |                      |                         |       |                     |   |    |    |    |    |
| <b>P1000</b> | 1 5/8              | 41 | 1 5/8  | 41 | 12 ga                | 12 ga                   | .109  |                     |   |    |    |    |    |
| <b>P1100</b> | 1 5/8              | 41 | 1 5/8  | 41 | 14 ga                | 14 ga                   | —     |                     |   |    |    |    |    |
| <b>P2000</b> | 1 5/8              | 41 | 1 5/8  | 41 | 16 ga                | —                       | —     |                     |   |    |    |    |    |
| <b>P3000</b> | 1 5/8              | 41 | 1 3/8  | 35 | 12 ga                | —                       | —     |                     |   |    |    |    |    |
| <b>P3300</b> | 1 5/8              | 41 | 7/8    | 22 | 12 ga                | 12 ga                   | —     |                     |   |    |    |    |    |
| <b>P4000</b> | 1 5/8              | 41 | 13/16  | 21 | 16 ga                | 16 ga                   | .078  |                     |   |    |    |    |    |
| <b>P4100</b> | 1 5/8              | 41 | 13/16  | 21 | 14 ga                | —                       | —     |                     |   |    |    |    |    |
| <b>P5000</b> | 1 5/8              | 41 | 3/4    | 83 | 12 ga                | —                       | —     |                     |   |    |    |    |    |
| <b>P5500</b> | 1 5/8              | 41 | 27/16  | 62 | 12 ga                | —                       | .109  |                     |   |    |    |    |    |

- This reference chart reflects the available channels and hole patterns manufactured by Unistrut Corporation.
- Stainless steel sections are also available on special order in "T," "SL" and "HS" hole pattern.
- Metric equivalent for material thickness: 12 ga. (2.7 mm); 14 ga. (1.9 mm); and 16 ga. (1.5 mm).

\* Not available in aluminum.

## CHANNELS & COMBINATIONS IN DESCENDING ORDER OF STRENGTH

| Channel          | S in <sup>3</sup> | I in <sup>4</sup> | Area in <sup>2</sup> | Weight Lbs/Ft |
|------------------|-------------------|-------------------|----------------------|---------------|
| <b>P5001</b>     | 1.716*            | 5.578*            | 1.794                | 6.10          |
| <b>P1004 A</b>   | 1.673             | 4.079             | 1.978                | 6.70          |
| <b>P5501</b>     | 1.153             | 2.811             | 1.453                | 4.94          |
| <b>P1001 C41</b> | 1.145             | 1.860             | 2.223                | 7.60          |
| <b>P5000</b>     | .628              | 1.099             | .897                 | 3.05          |
| <b>P1001</b>     | .572              | .930              | 1.112                | 3.80          |
| <b>P1101</b>     | .456              | .741              | .834                 | 2.84          |
| <b>P3001</b>     | .431              | .593              | 1.007                | 3.40          |
| <b>P5500</b>     | .391              | .523              | .726                 | 2.47          |
| <b>P2001</b>     | .379              | .616              | .681                 | 2.32          |
| <b>P9200</b>     | .297              | .278              | .489                 | 2.23          |

| Channel      | S in <sup>3</sup> | I in <sup>4</sup> | Area in <sup>2</sup> | Weight Lbs/Ft |
|--------------|-------------------|-------------------|----------------------|---------------|
| <b>P9000</b> | .203              | .164              | .384                 | 2.05          |
| <b>P3301</b> | .202              | .177              | .797                 | 2.70          |
| <b>P1000</b> | .202              | .185              | .556                 | 1.90          |
| <b>P1100</b> | .166              | .149              | .417                 | 1.42          |
| <b>P3000</b> | .154              | .121              | .503                 | 1.70          |
| <b>P4101</b> | .141              | .114              | .574                 | 1.94          |
| <b>P2000</b> | .140              | .124              | .340                 | 1.16          |
| <b>P4001</b> | .125              | .101              | .478                 | 1.64          |
| <b>P3300</b> | .072              | .037              | .398                 | 1.35          |
| <b>P4100</b> | .053              | .025              | .287                 | .97           |
| <b>P4000</b> | .048              | .023              | .239                 | .82           |

\* Effective section properties.

# PIERCED CHANNELS

FOR 1 5/8" (41 MM) WIDTH SERIES CHANNEL



1 5/8" Channels

Nuts & Hardware

General Fittings

Pipe/Conduit Supports

Electrical Fittings

Concrete Inserts

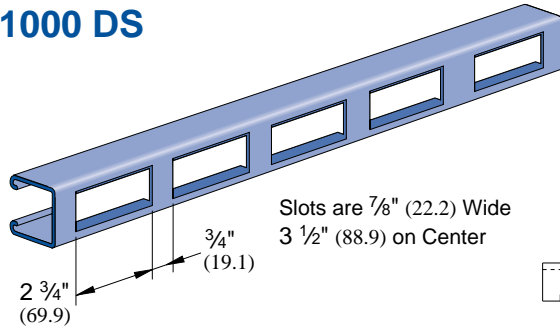
1 1/4" Framing System

1 3/16" Framing System

Spec. Metals & Fiberglass

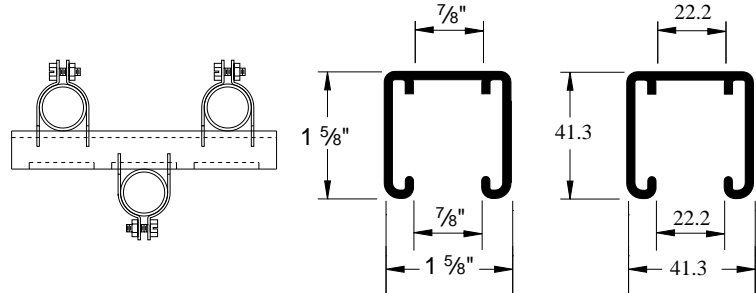
Index

## P1000 DS



Slots are 7/8" (22.2) Wide

3 1/2" (88.9) on Center

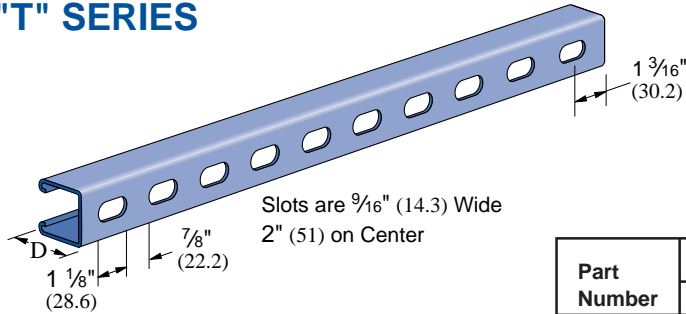


Standard Lengths: 10' and 20'.

Note: For beam load capacity, use 70% of P1000 load chart.

Weight: 173 Lbs/C Ft (257 kg/100m)

## "T" SERIES



Slots are 9/16" (14.3) Wide

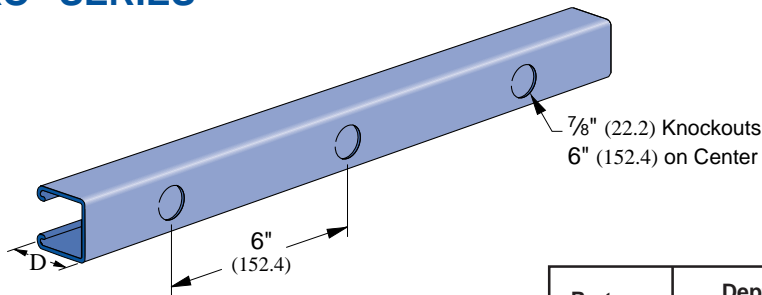
2" (51) on Center

| Part Number | Depth "D" |    | Material Thickness |     | Weight   |         |
|-------------|-----------|----|--------------------|-----|----------|---------|
|             | In        | mm | In                 | mm  | Lbs/C Ft | kg/100m |
| P1000 T     | 1 5/8     | 41 | .105               | 2.7 | 185      | 275     |
| P1100 T     | 1 5/8     | 41 | .075               | 1.6 | 136      | 202     |
| P2000 T     | 1 5/8     | 41 | .060               | 1.5 | 113      | 168     |
| P3000 T     | 1 3/8     | 35 | .105               | 2.7 | 165      | 245     |
| P3300 T     | 7/8       | 22 | .105               | 2.7 | 130      | 193     |
| P4000 T     | 1 3/16    | 21 | .060               | 1.5 | 79       | 118     |
| P4100 T     | 1 3/16    | 21 | .075               | 1.6 | 87       | 129     |
| P5000 T     | 3 1/4     | 82 | .105               | 2.7 | 300      | 446     |
| P5500 T     | 2 7/16    | 62 | .105               | 2.7 | 242      | 360     |

Standard Lengths: 10' and 20'.

Note: For beam load capacity, use 85% of appropriate load chart.

## "KO" SERIES



7/8" (22.2) Knockouts  
6" (152.4) on Center

| Part Number | Depth "D" |    | Material Thickness |     | Weight   |         |
|-------------|-----------|----|--------------------|-----|----------|---------|
|             | In        | mm | In                 | mm  | Lbs/C Ft | kg/100m |
| P1000 KO    | 1 5/8     | 41 | .105               | 2.7 | 190      | 283     |
| P1100 KO    | 1 5/8     | 41 | .075               | 1.9 | 140      | 208     |
| P2000 KO    | 1 5/8     | 41 | .060               | 1.5 | 117      | 174     |
| P3000 KO    | 1 5/8     | 35 | .105               | 2.7 | 170      | 253     |
| P5000 KO    | 3 1/4     | 82 | .105               | 2.7 | 305      | 454     |
| P5500 KO    | 2 7/16    | 62 | .105               | 2.7 | 247      | 368     |

Standard Lengths: 10' and 20'.

Note: For beam load capacity, use 95% of appropriate load chart.

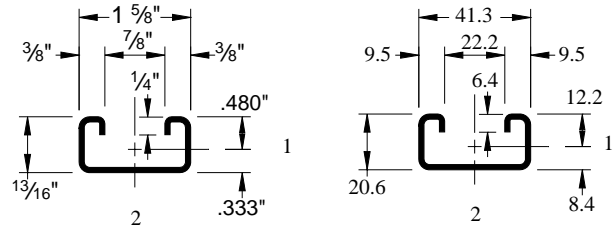
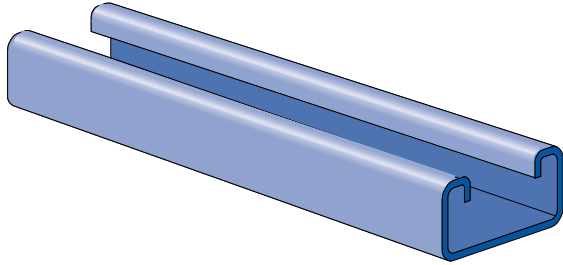
# P4100™ & P4101 CHANNELS

FOR 1 5/8" (41 MM) WIDTH SERIES CHANNEL



1 5/8" Channels

## P4100



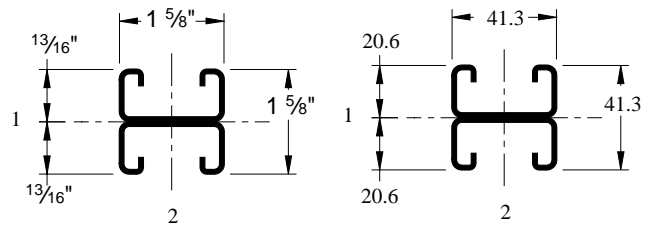
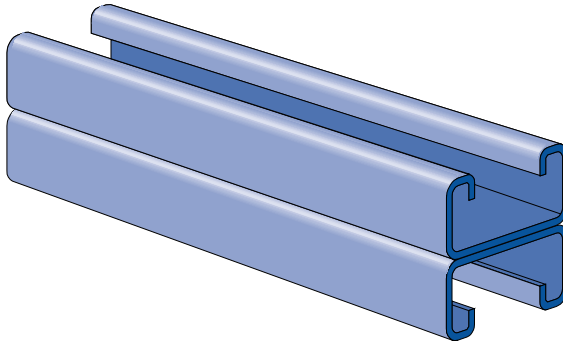
Pierced channels are found on pages 60 and 61.

Weight: 97 Lbs/C Ft (144 kg/100 m)

Nuts & Hardware

General Fittings

## P4101



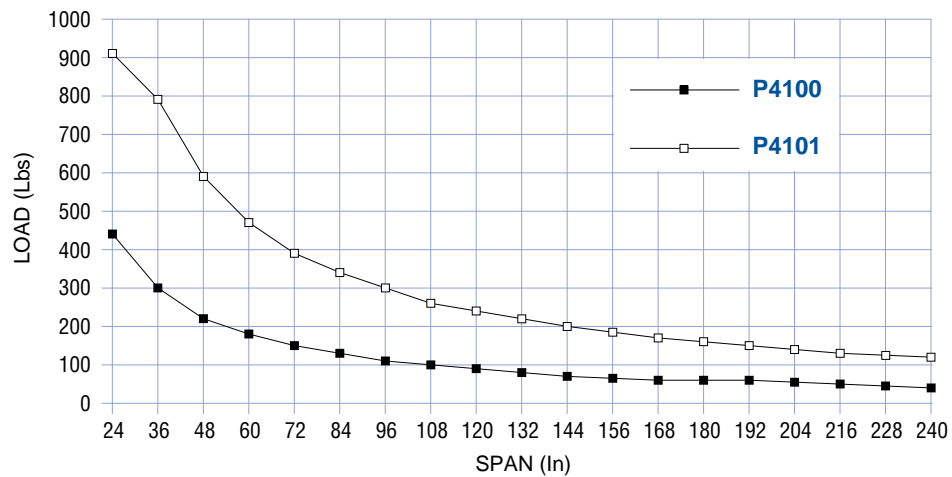
Weight: 194 Lbs/C Ft (289 kg/100 m)

Pipe/Conduit Supports

Electrical Fittings

Concrete Inserts

## BEAM LOAD\*



\*Maximum allowable uniform load.

| Channel      | Weight |      | Allowable Moment |     | Material Thickness |     | Standard Lengths |     | Finishes |    |    |    | Other Materials |    |
|--------------|--------|------|------------------|-----|--------------------|-----|------------------|-----|----------|----|----|----|-----------------|----|
|              | Lbs/Ft | kg/m | In-Lb            | N*m | In                 | mm  | 10'              | 20' | PL       | GR | HG | PG | SS              | EA |
| <b>P4100</b> | .97    | 1.4  | 1,330            | 150 | .075               | 1.9 | ■                | ■   | ■        | ■  | ■  | ■  |                 |    |
| <b>P4101</b> | 1.94   | 2.9  | 3,550            | 400 | .075               | 1.9 | ■                | ■   | ■        | ■  | ■  | ■  |                 |    |

Nominal thickness of 14 gage strip steel is .075 inches.

Index

Spec. Metals & Fiberglass

13/16" Framing System

1 1/4" Framing System

# CHANNELS & COMBINATIONS

FOR 1½" (41 MM) WIDTH SERIES CHANNEL



1 ½" Channels

Nuts & Hardware

General Fittings

Pipe/Conduit Supports

Electrical Fittings

Concrete Inserts

1¼" Framing System

13/16" Framing System

Spec. Metals & Fiberglass

Index

Page

|                                |    |
|--------------------------------|----|
| <b>P1000</b><br>12 Gage        | 23 |
| <b>P1100</b><br>14 Gage        | 32 |
| <b>P2000</b><br>16 Gage        | 36 |
| <b>P3000</b><br>12 Gage        | 40 |
| <b>P3300</b><br>12 Gage        | 43 |
| <b>P4000</b><br>16 Gage        | 46 |
| <b>P4100</b><br>14 Gage        | 50 |
| <b>P5000</b><br>12 Gage        | 53 |
| <b>P5500</b><br>12 Gage        | 56 |
| <b>Closure Strips</b>          | 59 |
| <b>Pierced Sections</b>        | 60 |
| <b>P9000 Series</b><br>12 Gage | 62 |



## MATERIAL

Unistrut channels are accurately and carefully cold formed to size from low-carbon strip steel.

Spot-welded combination members are welded 3" (maximum) on center.

### STEEL: PLAIN

12 Ga. (2.7 mm), 14 Ga.(1.9 mm)  
ASTM A570 GR 33  
16 Ga. (1.5 mm) ASTM A366

### STEEL: PRE-GALVANIZED

12 Ga. (2.7 mm), 14 Ga. (1.9 mm)  
and 16 Ga. (1.5mm) ASTM A653  
GR 33

For other materials, see Special Metals and Fiberglass section.

## FINISHES

All channels are available in: Perma Green II (GR), pre-galvanized (PG), conforming to ASTM A653; Hot-dipped galvanized (HG), conforming to ASTM A123 or A153; and plain (PL).

## STANDARD LENGTHS

Standard lengths are 10 feet (3.05m) and 20 feet (6.10m). Tolerances are +⅝" (3.2 mm) to +½" (12.7 mm) to allow for cutting. Special lengths are available for a small cutting charge with a tolerance of ±⅝" (3.2mm).

## CURVED CHANNEL

Many Unistrut 1½" (41mm) channel sections are available as curved pieces in both single and combination styles. Contact your local Unistrut Service Center or Unistrut Corporation for ordering information.

## DIMENSIONS

Imperial dimensions are illustrated in inches. Metric dimensions are shown in millimeters and rounded to one decimal place.

## LOAD DATA

All beam and column load data pertains to carbon steel and stainless steel channels. Load tables and charts are constructed to be in accordance with the SPECIFICATION FOR THE DESIGN OF COLD-FORMED STEEL STRUCTURAL MEMBERS AUGUST 19, 1986 EDITION with DECEMBER 11, 1989 ADDENDUM published by the AMERICAN IRON AND STEEL INSTITUTE.

# CHANNELS & COMBINATIONS

FOR 1 5/8" (41 MM) WIDTH SERIES CHANNEL



1 5/8" Channels

Nuts & Hardware

General Fittings

Pipe/Conduit Supports

Electrical Fittings

Concrete Inserts

1/4" Framing System

3/16" Framing System

Spec. Metals & Fiberglass

Index

## CHANNEL SELECTION CHART

| Channel      | Channel Dimensions |    |        |    | Material & Thickness |                         |       | Hole Pattern Styles |   |    |    |    |    |
|--------------|--------------------|----|--------|----|----------------------|-------------------------|-------|---------------------|---|----|----|----|----|
|              | Width              |    | Height |    | Steel                | Stain-<br>less<br>Steel | Alum. | KO                  | T | SL | HS | DS | H3 |
|              | In                 | mm | In     | mm |                      |                         |       |                     |   |    |    |    |    |
| <b>P1000</b> | 1 5/8              | 41 | 1 5/8  | 41 | 12 ga                | 12 ga                   | .109  |                     |   |    |    |    |    |
| <b>P1100</b> | 1 5/8              | 41 | 1 5/8  | 41 | 14 ga                | 14 ga                   | —     |                     |   |    |    |    |    |
| <b>P2000</b> | 1 5/8              | 41 | 1 5/8  | 41 | 16 ga                | —                       | —     |                     |   |    |    |    |    |
| <b>P3000</b> | 1 5/8              | 41 | 1 3/8  | 35 | 12 ga                | —                       | —     |                     |   |    |    |    |    |
| <b>P3300</b> | 1 5/8              | 41 | 7/8    | 22 | 12 ga                | 12 ga                   | —     |                     |   |    |    |    |    |
| <b>P4000</b> | 1 5/8              | 41 | 13/16  | 21 | 16 ga                | 16 ga                   | .078  |                     |   |    |    |    |    |
| <b>P4100</b> | 1 5/8              | 41 | 13/16  | 21 | 14 ga                | —                       | —     |                     |   |    |    |    |    |
| <b>P5000</b> | 1 5/8              | 41 | 3/4    | 83 | 12 ga                | —                       | —     |                     |   |    |    |    |    |
| <b>P5500</b> | 1 5/8              | 41 | 27/16  | 62 | 12 ga                | —                       | .109  |                     |   |    |    |    |    |

- This reference chart reflects the available channels and hole patterns manufactured by Unistrut Corporation.
- Stainless steel sections are also available on special order in "T," "SL" and "HS" hole pattern.
- Metric equivalent for material thickness: 12 ga. (2.7 mm); 14 ga. (1.9 mm); and 16 ga. (1.5 mm).

\* Not available in aluminum.

## CHANNELS & COMBINATIONS IN DESCENDING ORDER OF STRENGTH

| Channel          | S in <sup>3</sup> | I in <sup>4</sup> | Area in <sup>2</sup> | Weight Lbs/Ft |
|------------------|-------------------|-------------------|----------------------|---------------|
| <b>P5001</b>     | 1.716*            | 5.578*            | 1.794                | 6.10          |
| <b>P1004 A</b>   | 1.673             | 4.079             | 1.978                | 6.70          |
| <b>P5501</b>     | 1.153             | 2.811             | 1.453                | 4.94          |
| <b>P1001 C41</b> | 1.145             | 1.860             | 2.223                | 7.60          |
| <b>P5000</b>     | .628              | 1.099             | .897                 | 3.05          |
| <b>P1001</b>     | .572              | .930              | 1.112                | 3.80          |
| <b>P1101</b>     | .456              | .741              | .834                 | 2.84          |
| <b>P3001</b>     | .431              | .593              | 1.007                | 3.40          |
| <b>P5500</b>     | .391              | .523              | .726                 | 2.47          |
| <b>P2001</b>     | .379              | .616              | .681                 | 2.32          |
| <b>P9200</b>     | .297              | .278              | .489                 | 2.23          |

| Channel      | S in <sup>3</sup> | I in <sup>4</sup> | Area in <sup>2</sup> | Weight Lbs/Ft |
|--------------|-------------------|-------------------|----------------------|---------------|
| <b>P9000</b> | .203              | .164              | .384                 | 2.05          |
| <b>P3301</b> | .202              | .177              | .797                 | 2.70          |
| <b>P1000</b> | .202              | .185              | .556                 | 1.90          |
| <b>P1100</b> | .166              | .149              | .417                 | 1.42          |
| <b>P3000</b> | .154              | .121              | .503                 | 1.70          |
| <b>P4101</b> | .141              | .114              | .574                 | 1.94          |
| <b>P2000</b> | .140              | .124              | .340                 | 1.16          |
| <b>P4001</b> | .125              | .101              | .478                 | 1.64          |
| <b>P3300</b> | .072              | .037              | .398                 | 1.35          |
| <b>P4100</b> | .053              | .025              | .287                 | .97           |
| <b>P4000</b> | .048              | .023              | .239                 | .82           |

\* Effective section properties.

# PIERCED CHANNELS

FOR 1 5/8" (41 MM) WIDTH SERIES CHANNEL



1 5/8" Channels

Nuts & Hardware

General Fittings

Pipe/Conduit Supports

Electrical Fittings

Concrete Inserts

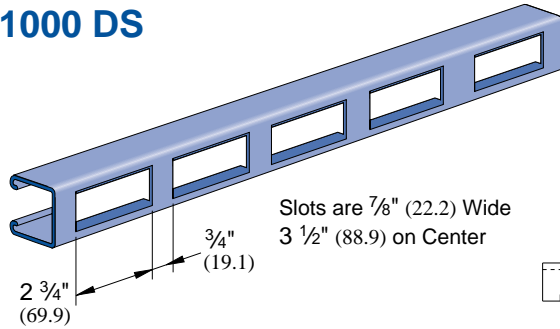
1 1/4" Framing System

1 3/16" Framing System

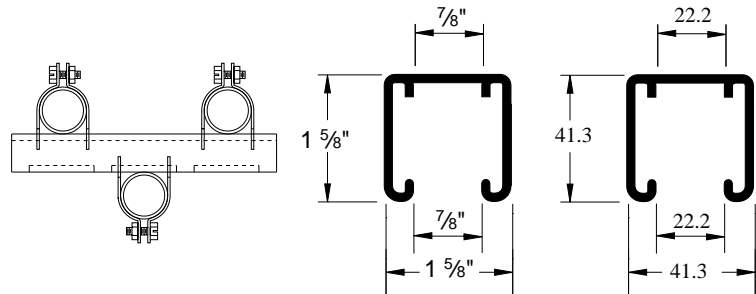
Spec. Metals & Fiberglass

Index

## P1000 DS



Slots are 7/8" (22.2) Wide  
3 1/2" (88.9) on Center

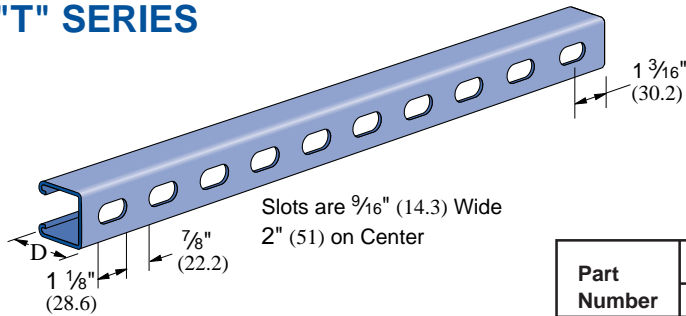


Standard Lengths: 10' and 20'.

Note: For beam load capacity, use 70% of P1000 load chart.

Weight: 173 Lbs/C Ft (257 kg/100m)

## "T" SERIES



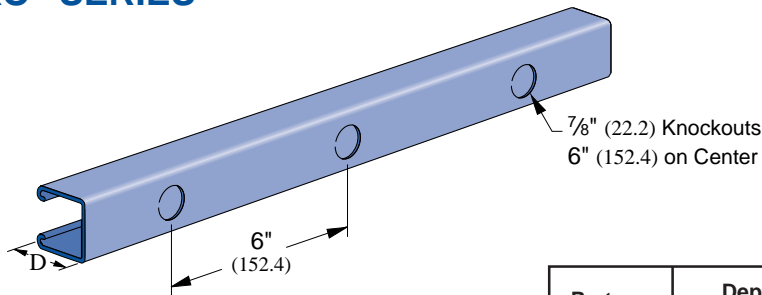
Slots are 9/16" (14.3) Wide  
2" (51) on Center

| Part Number | Depth "D" |    | Material Thickness |     | Weight   |         |
|-------------|-----------|----|--------------------|-----|----------|---------|
|             | In        | mm | In                 | mm  | Lbs/C Ft | kg/100m |
| P1000 T     | 1 5/8     | 41 | .105               | 2.7 | 185      | 275     |
| P1100 T     | 1 5/8     | 41 | .075               | 1.6 | 136      | 202     |
| P2000 T     | 1 5/8     | 41 | .060               | 1.5 | 113      | 168     |
| P3000 T     | 1 3/8     | 35 | .105               | 2.7 | 165      | 245     |
| P3300 T     | 7/8       | 22 | .105               | 2.7 | 130      | 193     |
| P4000 T     | 1 3/16    | 21 | .060               | 1.5 | 79       | 118     |
| P4100 T     | 1 3/16    | 21 | .075               | 1.6 | 87       | 129     |
| P5000 T     | 3/4       | 82 | .105               | 2.7 | 300      | 446     |
| P5500 T     | 2 7/16    | 62 | .105               | 2.7 | 242      | 360     |

Standard Lengths: 10' and 20'.

Note: For beam load capacity, use 85% of appropriate load chart.

## "KO" SERIES



7/8" (22.2) Knockouts  
6" (152.4) on Center

| Part Number | Depth "D" |    | Material Thickness |     | Weight   |         |
|-------------|-----------|----|--------------------|-----|----------|---------|
|             | In        | mm | In                 | mm  | Lbs/C Ft | kg/100m |
| P1000 KO    | 1 5/8     | 41 | .105               | 2.7 | 190      | 283     |
| P1100 KO    | 1 5/8     | 41 | .075               | 1.9 | 140      | 208     |
| P2000 KO    | 1 5/8     | 41 | .060               | 1.5 | 117      | 174     |
| P3000 KO    | 1 5/8     | 35 | .105               | 2.7 | 170      | 253     |
| P5000 KO    | 3/4       | 82 | .105               | 2.7 | 305      | 454     |
| P5500 KO    | 2 7/16    | 62 | .105               | 2.7 | 247      | 368     |

Standard Lengths: 10' and 20'.

Note: For beam load capacity, use 95% of appropriate load chart.