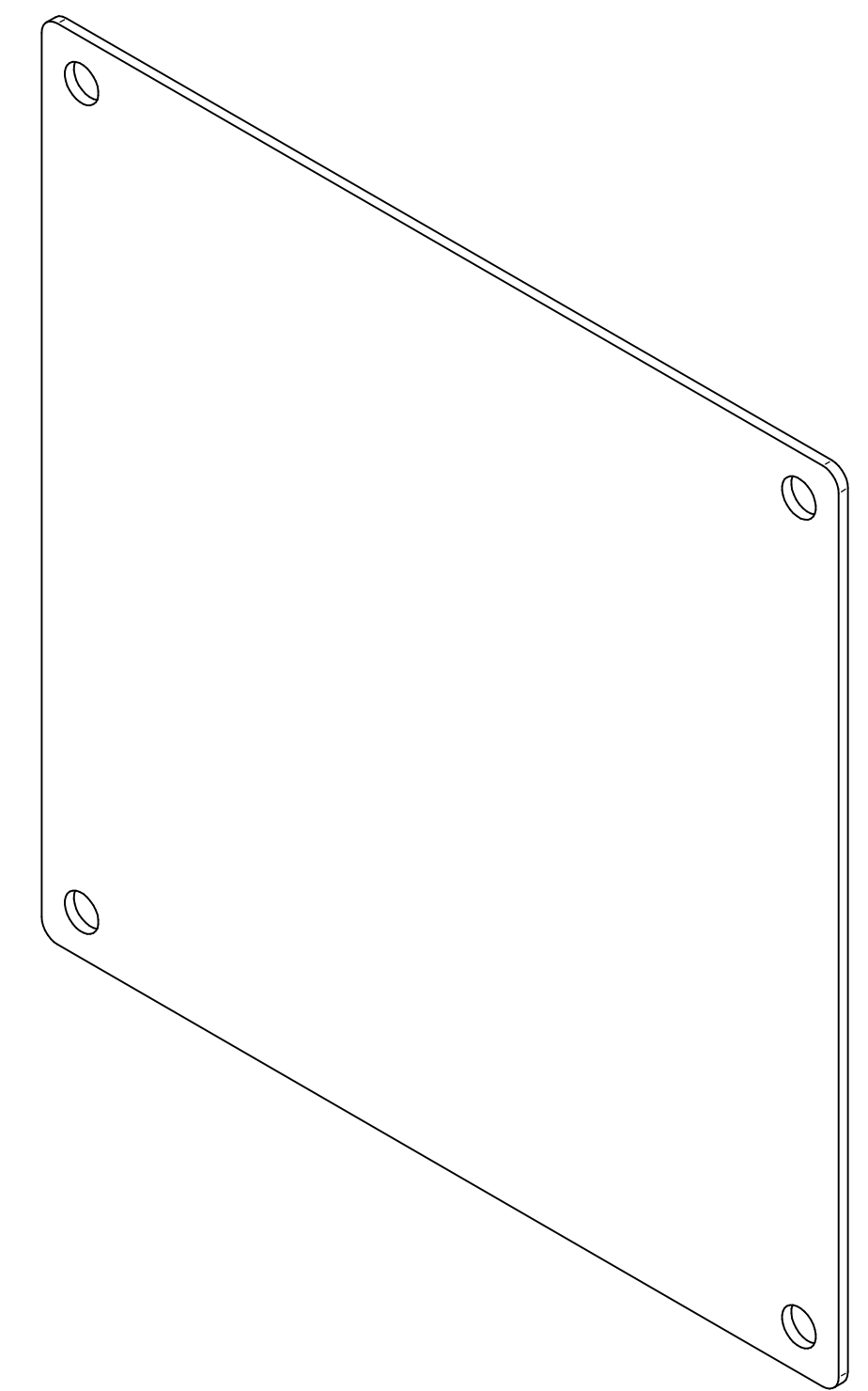


TOP VIEW



SIDE VIEW



ISOMETRIC VIEW



Data subject to change without notice.

Part # : N1JP88

Date : Feb. 5, 2025

[Link:www.hammondmfg.com/N1JP88](http://www.hammondmfg.com/N1JP88)