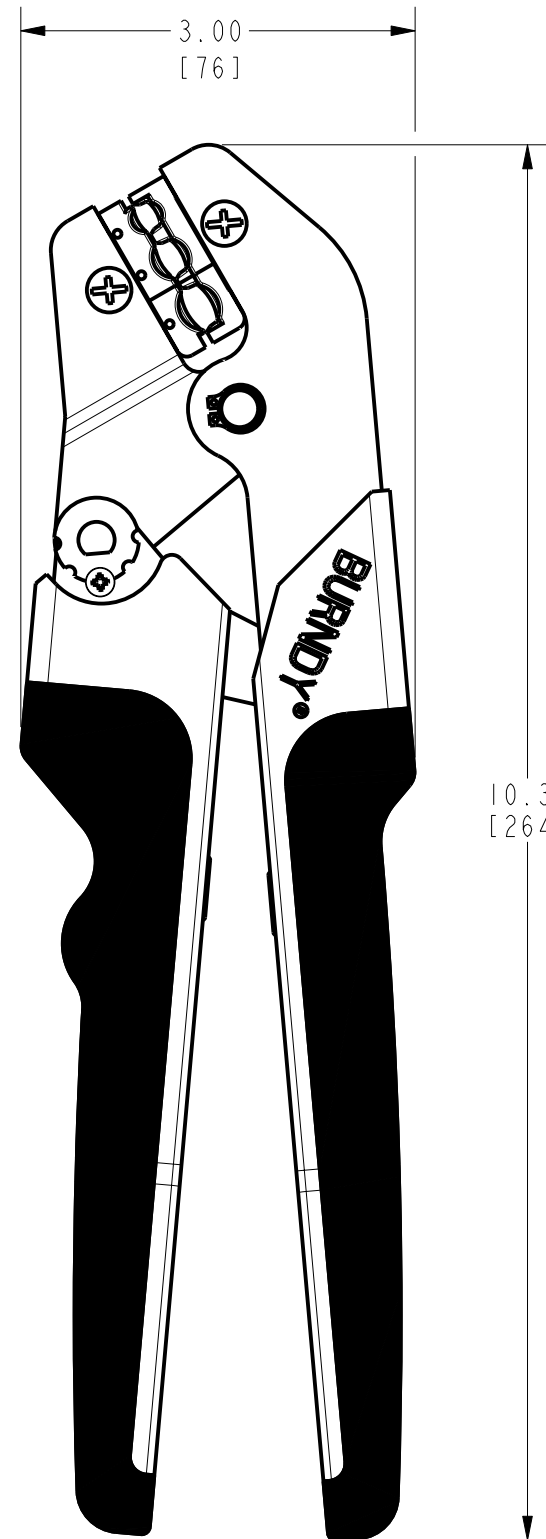


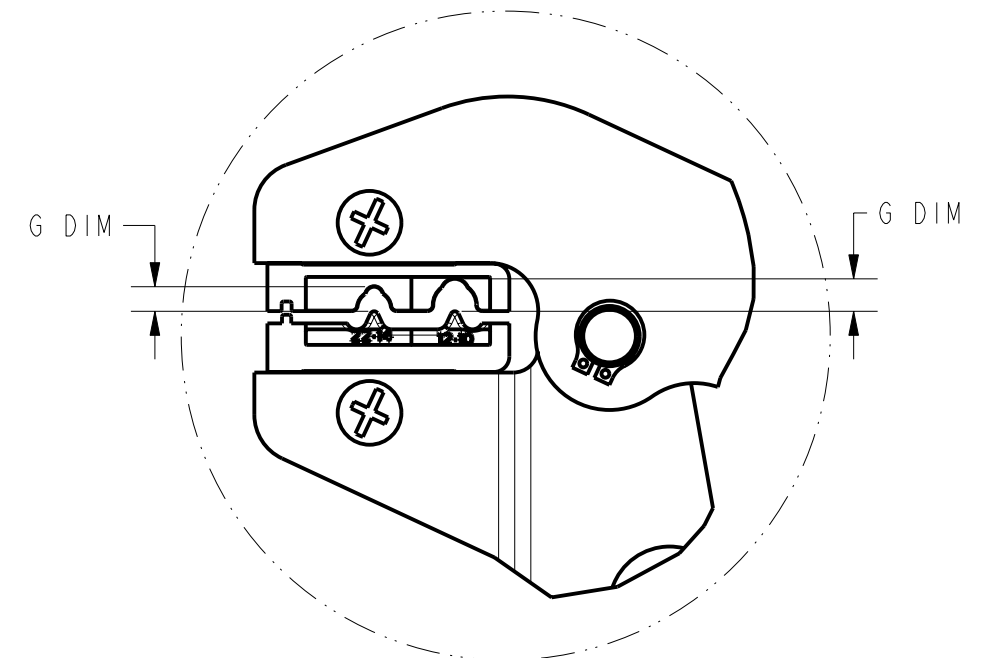
ACCOMMODATED CONNECTORS	
MRE1022B UNINSULATED TERMINALS AND SPLICES	
TERMINALS:	SPLICES:
T- (YAD-)	YSV-
TF- (YAD-F)	YSV-H
YAV-	
YAV-H	
YAV-R	
YAV-T-F	
YAV-H-F	
YAV-Z	
MRE1022NV NYLON / VINYL INSULATED TERMINALS AND SPLICES	
TERMINALS	SPLICES:
TP- (BA-)	SP- (BS-)
TP-F (BA-EF)	SNM- (YSES-)
TP-Z (BA-EZ)	YSE-HN
TP-LF (BA-EL)	YSE-H
TN- (YAES-)	QN-F-
TN-F (YAES-F)	QN-M-
YAE-N-	QP-F-
YAE-N-F	QP-M-
YAE-Z	
YAEV-	

G-DIMENSIONS AND INSPECTION GAGES			
TOOL CAT. NO.	DIE GROOVE	G-DIM	GAGE CAT. NO.
MRE1022B	#22-#14	.055 [1] .073 [2]	PG-403-2R
	#12-#10	.100 [3] .110 [3]	PG-403-1R
MRE1022NV	#22-#18 (RED)	.084 [2] .092 [2]	PG-406-1
	#16-#14 (BLUE)	.102 [3] .112 [3]	PG-407-1
	#12-#10 (YELLOW)	.131 [3] .141 [4]	PG-408-1

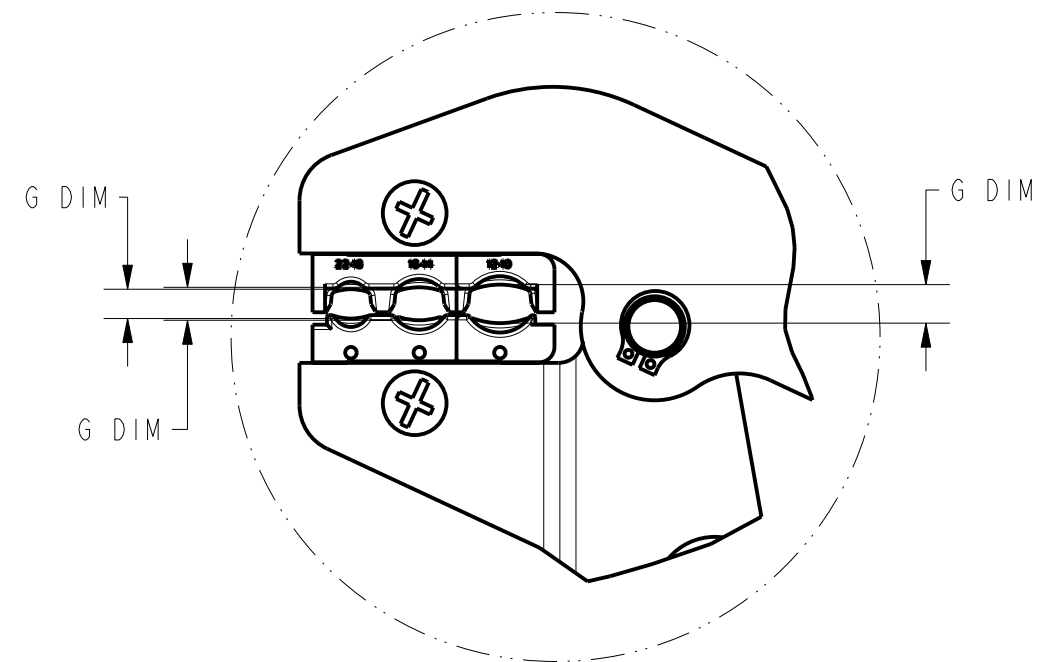


MRE1022NV SHOWN
SCALE 3:4

REV.	DATE	DESCRIPTION	ECO	BY	C'H'K.
D	06/28/2013 00:00:00 AM	MRE1022NV/MRE1022B: CLARIFY UL LISTING	31593	MB	JG



MRE1022B
DIE DETAIL
SCALE 1:1



MRE1022NV
DIE DETAIL
SCALE 1:1

NOTES:

- MATERIAL: FRAME: STEEL
HANDLES: OVERMOLDED RUBBER
DIES: STAINLESS STEEL
- DIES PROVIDE CONDUCTOR CRIMP ONLY ON THESE CONNECTOR FAMILIES.
- LONG HANDLES AND TEXTURED OVERMOLDED GRIPS PROVIDE LOWER HANDLE FORCE AND INCREASE ERGONOMICS.
- PRODUCT WEIGHT: 1.3 LB (0.6 KG)
- CATALOG NUMBERS MRE1022B AND MRE1022NV BOTH HAVE A FIVE-YEAR LIMITED WARRANTY.
- DIMENSIONS IN BRACKETS [] ARE IN MILLIMETERS ROUNDED TO THE NEAREST MILLIMETER AND ARE FOR REFERENCE ONLY.
- TERMINALS AND SPLICES SHOWN IN "ACCOMMODATED CONNECTORS" TABLE, WHEN USED WITH APPROPRIATE WIRE SIZE (SEE "G-DIMENSION AND INSPECTION GAGES") ARE UL LISTED PER UL486A/B.

TO ORDER BURNDY® PRODUCTS CALL

UNITED STATES:
1-800-346-4175 (LONDONDERRY, NH)

CANADA:
1-800-361-6975 (QUEBEC)
1-800-387-6487 (ALL OTHER PROVINCES)

FOR PRODUCT INFO: <http://www.burndy.com>

ERGONOMIC RATCHET HAND TOOL

ITEM NO: 30004896, 30004897

CAT. NO: MRE1022B, MRE1022NV

DRAWN BY: R. MURUGESAN 03/24/2011

CHECKER: P. WASON 06/25/2013

DSN APPVL: M. RZASA 05/07/2013

MFG APPVL: -- --

QA APPVL: J. BRODEUR 05/13/2013

MKT APPVL: M. RZASA 05/07/2013

PROD FAM: Tools_Mechanical/Hand Tools

PROJECT #: --

DOCUMENT TYPE: Sales

REL LEVEL: Released

BURNDY

SCALE: 1:2

DRAWING NO

30013557

SHEET 1 OF 1

REV

D