

LMSW-101/102/103/104/108

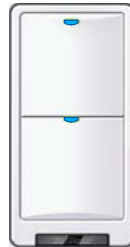
Digital Lighting Management

Low Voltage Switches

**THESE UNITS ARE
PRE-SET FOR
PLUG n' GO
OPERATION,
ADJUSTMENT
IS OPTIONAL.**



LMSW-101



LMSW-102



LMSW-103



LMSW-104



LMSW-108

For full operational details, adjustment and more features of the product, see the DLM System Installation Guide at www.wattstopper.com

Installation shall be in accordance with all applicable regulations, and codes.

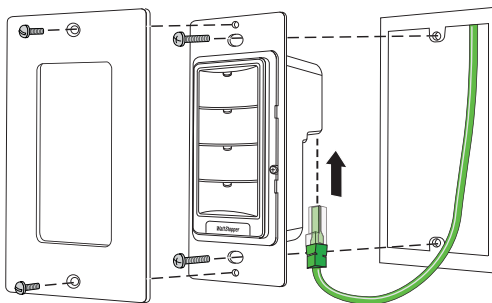
To be connected to a Class 2 power source only.

Class 2 Device Wiring Only – Do Not Reclassify and Install as Class 1, or Power and Lighting Wiring.

Wire connections shall be rated suitable for the wire size (lead and building wiring) employed.

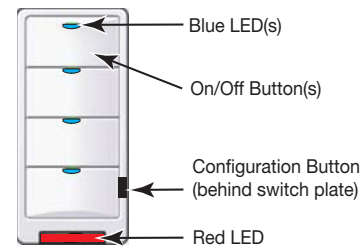
Voltage	24VDC
Current Consumption.....	5mA
Power Supply	Watt Stopper/Legrand Room Controllers
Connection to the DLM Local Network	2 RJ-45 ports
DLM Local Network Characteristics:	
Provides low voltage power over Cat 5e cable (LMRJ).	
Supports up to 24 communicating devices, including 4 LMRC-10x or LMPL-101 max per each DLM Local Network.	
Free topology up to 1,000ft of low voltage cable.	
Environment	For Indoor Use Only
Operating Temperature	32° to 131°F [0° to 55°C]
Storage Temperature.....	23° to 176°F [-5° to 80°C]
Relative Humidity.....	.5 to 95% (non condensing)
Patent Pending	

MOUNTING THE SWITCH



WARNING: Do Not Install To Cover a Junction Box Having Class 1, 3 or Power and Lighting Circuits.

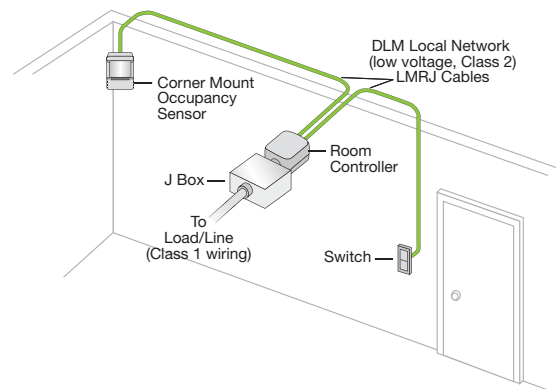
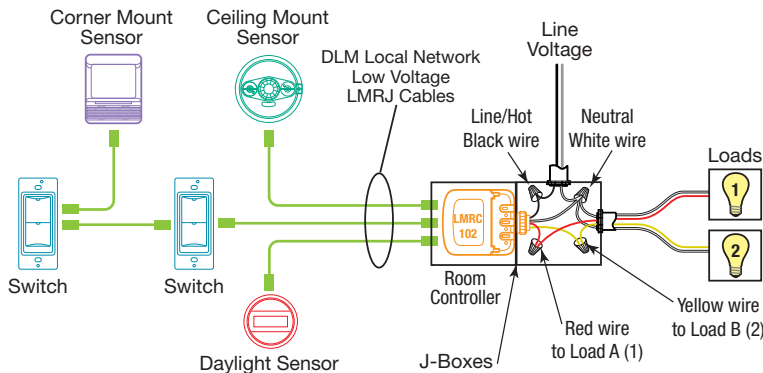
BUTTONS AND INDICATORS



CONNECTIVITY

The illustrations below show examples of free-topology wiring. The LMSW switches communicate to all other Digital Lighting Management devices connected to the low voltage

DLM Local Network, regardless of their position on the DLM Local Network.



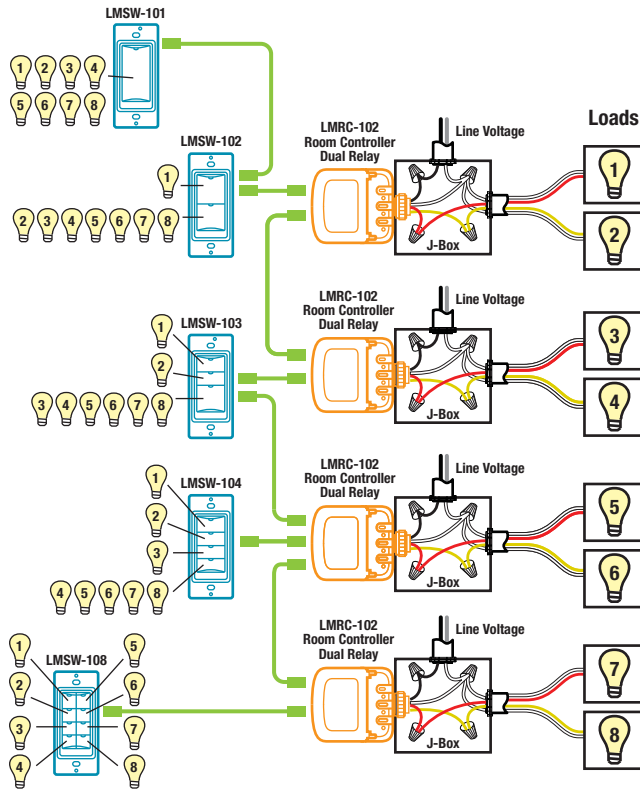
PLUG n' GO OPERATION (PnG)

Each load is automatically assigned to a switch button.

- If there are **more buttons** on a switch than there are loads, the extra button(s) do nothing and blink when pressed.
- If there are **fewer buttons** on a switch than there are loads, the last button controls all remaining loads.

The illustration below shows the Plug n' Go load binding for each LMSW switch in a room that has up to 8 loads.

Plug n' Go Load Binding



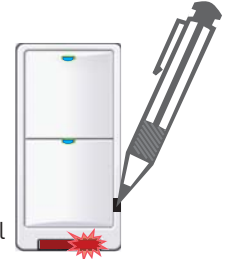
UNIT ADJUSTMENT - PUSH n' LEARN (PnL)

Load Selection Procedure

A configuration button allows access to our patented Push n' Learn™ technology to change the binding relationship between switch buttons and loads.

Step 1: Enter Push n' Learn

Using a pointed tool, press and hold the configuration button for 3 seconds, until the Red LED on the switch begins to blink.



When you release the switch's configuration button, the red LED on other communicating DLM Local Network devices begins to blink.

The DLM Local Network is now in PnL mode. The Red LEDs continue to blink until you exit PnL mode.

All loads in the room turn OFF after entering PnL. After one second, one load turns ON. This is Load #1, which is bound to switch button #1 as part of the Plug n' Go factory default setting. **The Blue LED will be ON for all switch buttons and sensors that are bound to this load.**

Step 2: Load selection

Press and release the configuration button to step through the loads connected to the DLM Local Network. As each load turns ON note which devices (switch buttons and sensors) are showing the blue LED. These devices are currently bound to the load that is ON.



To **unbind** a switch button from a load, press the switch button while its blue LED is ON. The blue LED turns OFF to indicate the button no longer controls the load that is currently ON.

Pressing the switch button again while the load is ON **rebinds** the load to the button and the blue LED illuminates.

Step 3: Exit Push n' Learn

Press and hold the configuration button until the red LED turns off, approximately 3 seconds.

TROUBLESHOOTING

Loads do not operate as expected.



WARNING: TO CONNECT A COMPUTER TO THE DLM LOCAL NETWORK USE THE LMC1-100. NEVER CONNECT THE DLM LOCAL NETWORK TO AN ETHERNET PORT - DOING SO MAY DAMAGE COMPUTERS AND OTHER CONNECTED EQUIPMENT.

Switch button LEDs don't light	<ol style="list-style-type: none"> 1. Check to see that the the switch is connected to the DLM Local Network. 2. Check for 24VDC input to the switch: Plug in a different DLM device at the switch location. If the device does not power up, 24VDC is not present. <ul style="list-style-type: none"> • Check the high voltage connections to the room controller. • If high voltage connections are good and high voltage is present, recheck DLM Local Network connections between the switch and the room controller.
The wrong lights are controlled	<ol style="list-style-type: none"> 1. Configure the switch buttons to control the desired lights using the Push n' Learn adjustment procedure.
Button doesn't actuate	<ol style="list-style-type: none"> 1. Make sure the switch frame and button are assembled properly. 2. Make sure that the wall plate is not pinching the frame.
LEDs turn ON and OFF but load doesn't switch	<ol style="list-style-type: none"> 1. Make sure device is not in PnL. 2. Check load connections to room controller.

REV	DESCRIPTION	INT:	REV. DATE	APPROVED
1	C03141	EU	5/26/2009	CG
2	C03377	EU		

MATERIAL: White 80g/m sq
Uncoated, recycled stock preferred

Final Trim Size: 8.5" (Wide) x 11" (High)

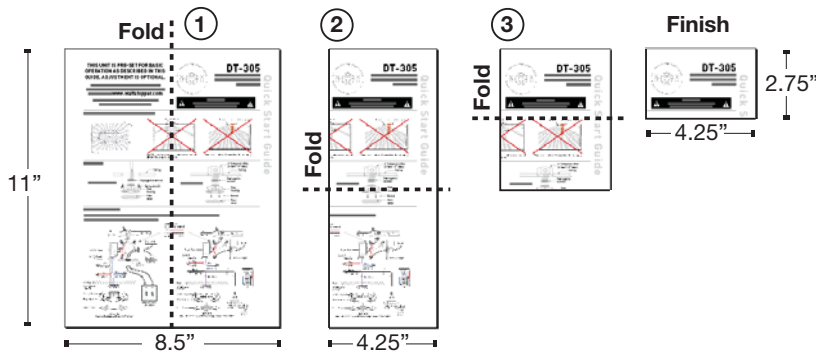
Ink: Color (CMYK)

Print: Two Sides

Pages: 2

Sheets: 1

TITLE BOX PAGE ONLY.
DO NOT MAKE FILM • DO NOT PRINT



IF YOU HAVE ANY QUESTIONS REGARDING SPECIFICATIONS OR REQUIRE ADDITIONAL FILE FORMATTING, PLEASE CONTACT Mary Jo Sowinski.

Phone: 408-486-7511

Email: maryjo.sowinski@wattstopper.com

All information in this drawing is the property of Watt Stopper and cannot be copied or used without the written approval of Watt Stopper.

DRAWN BY	SOWINSKI	<i>Watt Stopper</i> [®] SANTA CLARA, CALIFORNIA Title: LMSW-10x Quick Start Guide		
PLM				
MARCOM				
ENGINEERING				
QA				
TITLE BOX PG	SCALE 1:1	Drawing #: 11433	Orig. Drawing Date: 18 MAY 09 Revision Date: 18 AUG 09	REV. #: 2