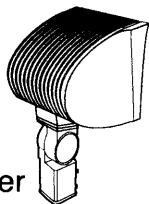


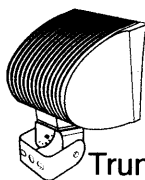
RAB

FLEX FLOOD

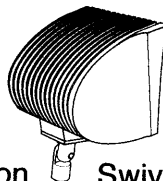
Installation Instructions



Slipfitter



Trunnion



Swivel Arm

Thank you for buying RAB lighting fixtures. Our aim is to design the best quality products so you can get the job done right. We'd like to hear your comments. Call us at 888-RAB-1000, attention Marketing Department or email: marketing@rabweb.com.

IMPORTANT

READ CAREFULLY BEFORE INSTALLING FIXTURE. RETAIN INSTRUCTIONS FOR FUTURE REFERENCE.

RAB fixtures must be wired in accordance with the National Electrical Code and all applicable local codes. Proper grounding is required for safety.

WARNING: MAKE CERTAIN POWER IS OFF BEFORE INSTALLING OR MAINTAINING FIXTURE

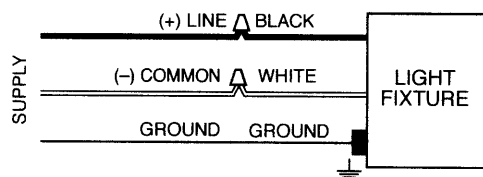
LOCATION

Fixture should not be recessed.

WIRING

All units are factory wired for 120v. If voltages other than 120V are required, Remove the reflector and rewire for the appropriate voltage.

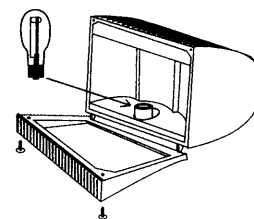
1. Connect the appropriate BLACK fixture lead to the (+) LINE supply lead.
2. Connect the WHITE fixture lead to the (-) COMMON supply lead.
3. Fixture ground wire must be connected to supply ground.
4. All unused leads must be capped and insulated.



LAMP INSTALLATION

Caution: Prior to installing, check that the lamp is of proper type and wattage. Observe lamp manufacturer's recommendations on lamp operation, ballast type and burning positions.

1. Disconnect power. Make sure fixture and lamp are cool enough to touch.
2. Open fixture by removing the 4 door screws. Swing lens door down on hinges.
3. Insert lamp.
4. Before closing lens door make sure frame gasket is properly seated all around fixture.
5. Close door. Tighten 4 screws.



REPLACEMENT LAMPS:

High Pressure Sodium			Metal Halide			Fluorescent	
Wattage	Catalog #	ANSI Code	Wattage	Catalog #	ANSI Code	Wattage	Catalog #
70	LHPS70	S62	50	LMH50	M110	42	LCFL42
100	LHPS100	S54	70	LMH70	M98		
150	LHPS175	S55	100	LMH100	M90		
			150	LMH150PS	M102		
			150	LMH150	M107		
			175	LMH175	M57		

CLEANING

Clean reflector and glass refractor with nonabrasive glass cleaning solution or detergent. Rinse with clean water.

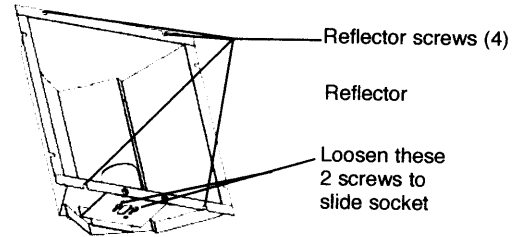
Caution: Be sure fixture temperature is cool enough to touch.

TROUBLESHOOTING CHECKLIST:

1. Proper lamp is installed. Lamp is not faulty.
2. Fixture is wired properly.
3. Line voltage at the fixture is proper.
4. Fixture is grounded properly.

BEAM SPREAD ADJUSTMENT

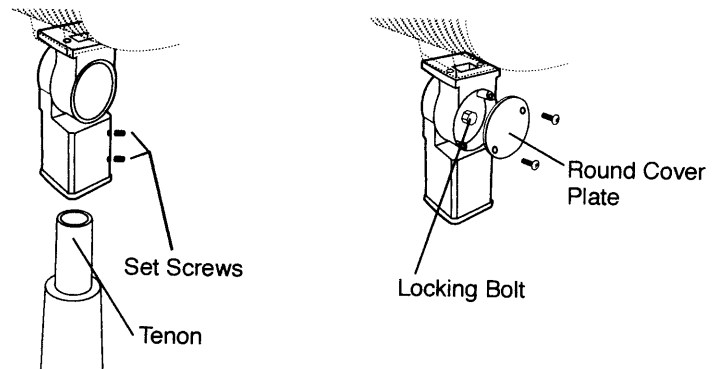
WARNING: Make certain power is off. The lamp socket can be moved from the standard wide beam position (position 2) to the rear position to provide a more narrow beam.



To adjust socket position, remove the reflector screws and carefully lift the reflector out of the fixture. Loosen the two socket screws and slide socket into the desired position. Tighten screws. Replace the socket bracket and reflector.

SLIPFITTER MOUNTING

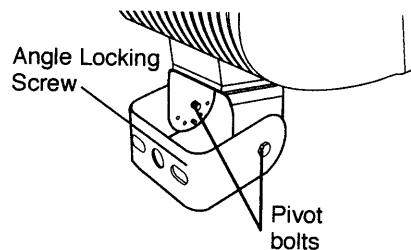
1. The slipfitter mounting fits a 2³/₈" O.D. tenon. Place the slipfitter over the tenon and secure the fixture with the 2 set screws on the side of the slipfitter.
2. The angle of the fixture can be adjusted by removing the round cover plate from the side of the slipfitter by removing 2 screws.
3. Loosen the locking bolt and swivel fixture to desired angle.
4. Tighten the locking bolt and re-attach cover plate.



TRUNNION MOUNTING

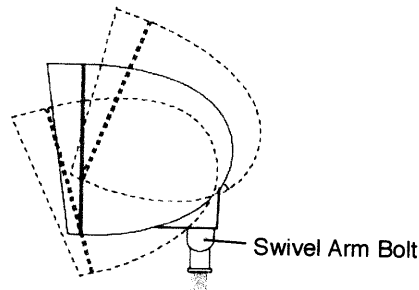
To adjust the angle of the fixture using the trunnion:

1. Loosen the pivot bolts & angle locking screw.
2. Adjust to desired angle.
3. Tighten pivot bolts & angle locking screw.



SWIVEL ARM MOUNTING

To adjust the angle of the fixture, loosen the swivel arm bolt and adjust fixture to desired angle. Tighten bolt.



EASY INSTALLATION & PRODUCT HELP

Fax Back
Faxed Tips & Specs,
24 hours/day.
888 RAB-1236

Tech Help Line
Call our friendly experts.
8AM - 5PM ET Mon. - Fri.
888 RAB-1000
tech@rabweb.com

www.rabweb.com
Visit our internet site for
color product photos
and installation tips.

e-mail
Your questions and requests
will be answered promptly.
sales@rabweb.com

© RAB LIGHTING, 9540-0 6/04
THESE INSTRUCTIONS DO NOT
COVER ALL DETAILS OR
VARIATIONS IN EQUIPMENT NOR
DO THEY PROVIDE FOR EVERY
POSSIBLE CONTINGENCY TO BE
MET IN CONNECTION WITH
INSTALLATION, OPERATION OR
MAINTENANCE.

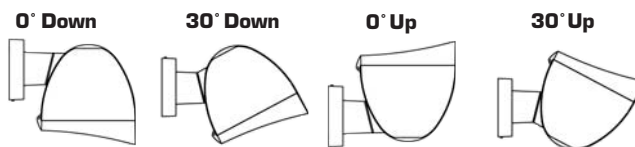


RAB LIGHTING
170 Ludlow Avenue Northvale, New Jersey 07647 U.S.A.

RAB

FLEX FLOOD

Wall Mount Installation Instructions



Thank you for buying RAB lighting fixtures. Our aim is to design the best quality products so you can get the job done right. We'd like to hear your comments. Call us at 888-RAB-1000, attention Marketing Department or email: marketing@rabweb.com.

IMPORTANT

READ CAREFULLY BEFORE INSTALLING FIXTURE. RETAIN INSTRUCTIONS FOR FUTURE REFERENCE.

RAB fixtures must be wired in accordance with the National Electrical Code and all applicable local codes. Proper grounding is required for safety.

WARNING: MAKE CERTAIN POWER IS OFF BEFORE INSTALLING OR MAINTAINING FIXTURE

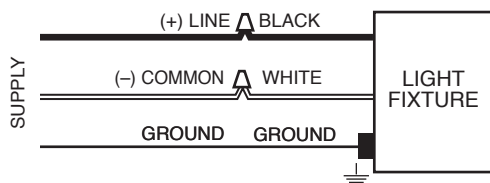
LOCATION

Fixture should not be recessed.

WIRING

All units are factory wired for 120v. If voltages other than 120V are required, Remove the reflector and rewire for the appropriate voltage.

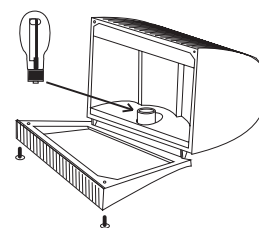
1. Connect the appropriate BLACK fixture lead to the (+) LINE supply lead.
2. Connect the WHITE fixture lead to the (-) COMMON supply lead.
3. Fixture ground wire must be connected to supply ground.
4. All unused leads must be capped and insulated.



LAMP INSTALLATION

Caution: Prior to installing, check that the lamp is of proper type and wattage. Observe lamp manufacturer's recommendations on lamp operation, ballast type and burning positions.

1. Disconnect power. Make sure fixture and lamp are cool enough to touch.
2. Open fixture by removing the 4 door screws. Swing lens door down on hinges.
3. Insert lamp.
4. Before closing lens door make sure frame gasket is properly seated all around fixture.
5. Close door. Tighten 4 screws.



REPLACEMENT LAMPS:

High Pressure Sodium		ANSI
Wattage	Catalog #	Code
70	LHPS70	S62
100	LHPS100	S54
150	LHPS175	S55

Metal Halide		ANSI
Wattage	Catalog #	Code
50	LMH50	M110
70	LMH70	M98
100	LMH100	M90
150	LMH150PS	M102
150	LMH150	M107
175	LMH175	M57

Fluorescent	
Wattage	Catalog #
42	LCFL42

CLEANING

Clean reflector and glass refractor with nonabrasive glass cleaning solution or detergent. Rinse with clean water.

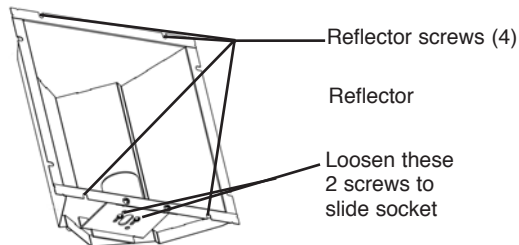
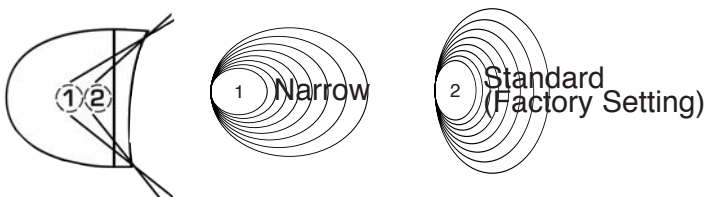
Caution: Be sure fixture temperature is cool enough to touch.

TROUBLESHOOTING CHECKLIST:

1. Proper lamp is installed. Lamp is not faulty.
2. Fixture is wired properly.
3. Line voltage at the fixture is proper.
4. Fixture is grounded properly.

BEAM SPREAD ADJUSTMENT

WARNING: Make certain power is off. The lamp socket can be moved from the standard wide beam position (position 2) to the rear position to provide a more narrow beam.

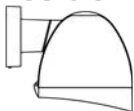


To adjust socket position, remove the reflector screws and carefully lift the reflector out of the fixture. Loosen the two socket screws and slide socket into the desired position. Tighten screws. Replace the socket bracket and reflector.

WALL MOUNTING OPTIONS

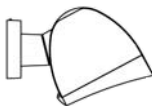
0° Down Position

No changes required



30° Down Position

Follow 1-2-3



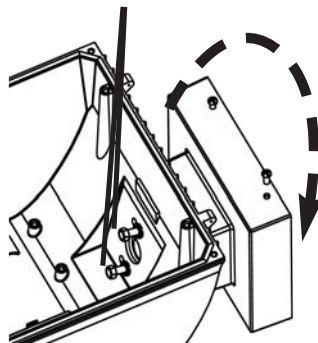
30° Up Position

Follow both 1-2-3 & A,B,C below

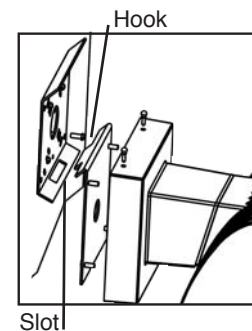


1. Open the lens frame & remove the 4 screws securing the reflector. Remove the reflector.
2. Remove the 2 bolts securing the wall mount to the fixture.
3. Rotate the wall mount 180° and re-attach the mounting bolts & lockwashers. Replace the reflector.

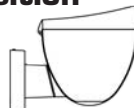
Wall Mount Bolts & Lockwashers



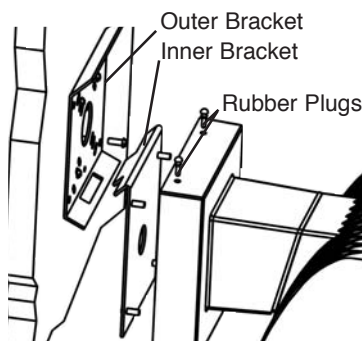
For Hands Free Wiring:
Hook the inner bracket hook into the outer bracket slot for easy hands free wiring



0° Up Position



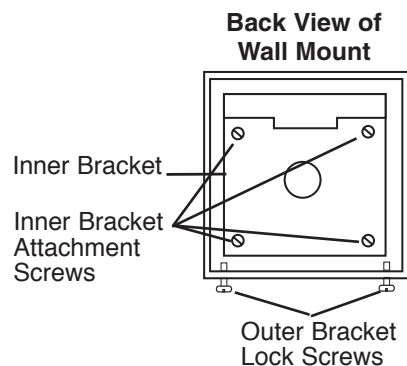
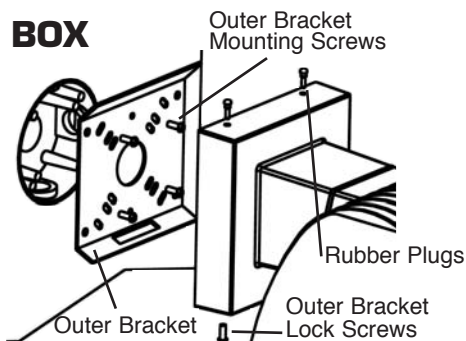
- A. Remove the 4 screws securing the inner bracket to the wall mount.
- B. Rotate the inner bracket 180° and re-attach the screws & lockwashers.
- C. Remove the rubber plugs from the bottom of the wall mount and re-insert them into the screw holes at the top of the wall mount.



MOUNTING TO A WEATHERPROOF BOX

The outer bracket has multiple mounting holes to fit most weatherproof boxes. (recessed only)

1. Attach the outer bracket to the weatherproof box and secure it to the inner bracket with the 2 lock screws on the bottom of the fixed wall mount.
2. For additional strength, the outer bracket can be anchored to the wall by using the outer holes on the bracket.



EASY INSTALLATION & PRODUCT HELP

Fax Back

Faxed Tips & Specs,
24 hours/day.
888 RAB-1236

Tech Help Line

Call our friendly experts.
8AM - 5PM ET Mon. - Fri.
888 RAB-1000
tech@rabweb.com

www.rabweb.com

Visit our internet site for
color product photos
and installation tips.

e-mail

Your questions and requests
will be answered promptly.

RAB LIGHTING

170 Ludlow Avenue Northvale, New Jersey 07647 U.S.A.

© RAB LIGHTING,9541-06/04

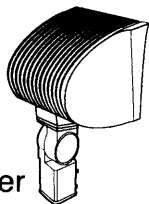
THESE INSTRUCTIONS DO NOT COVER ALL DETAILS OR VARIATIONS IN EQUIPMENT NOR DO THEY PROVIDE FOR EVERY POSSIBLE CONTINGENCY TO BE MET IN CONNECTION WITH INSTALLATION, OPERATION OR MAINTENANCE.



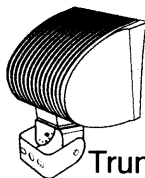
RAB

FLEX FLOOD

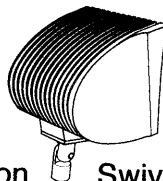
Installation Instructions



Slipfitter



Trunnion



Swivel Arm

Thank you for buying RAB lighting fixtures. Our aim is to design the best quality products so you can get the job done right. We'd like to hear your comments. Call us at 888-RAB-1000, attention Marketing Department or email: marketing@rabweb.com.

IMPORTANT

READ CAREFULLY BEFORE INSTALLING FIXTURE. RETAIN INSTRUCTIONS FOR FUTURE REFERENCE.

RAB fixtures must be wired in accordance with the National Electrical Code and all applicable local codes. Proper grounding is required for safety.

WARNING: MAKE CERTAIN POWER IS OFF BEFORE INSTALLING OR MAINTAINING FIXTURE

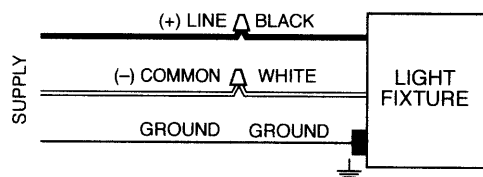
LOCATION

Fixture should not be recessed.

WIRING

All units are factory wired for 120v. If voltages other than 120V are required, Remove the reflector and rewire for the appropriate voltage.

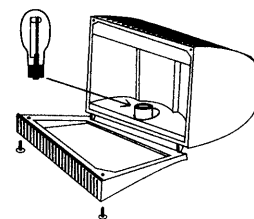
1. Connect the appropriate BLACK fixture lead to the (+) LINE supply lead.
2. Connect the WHITE fixture lead to the (-) COMMON supply lead.
3. Fixture ground wire must be connected to supply ground.
4. All unused leads must be capped and insulated.



LAMP INSTALLATION

Caution: Prior to installing, check that the lamp is of proper type and wattage. Observe lamp manufacturer's recommendations on lamp operation, ballast type and burning positions.

1. Disconnect power. Make sure fixture and lamp are cool enough to touch.
2. Open fixture by removing the 4 door screws. Swing lens door down on hinges.
3. Insert lamp.
4. Before closing lens door make sure frame gasket is properly seated all around fixture.
5. Close door. Tighten 4 screws.



REPLACEMENT LAMPS:

High Pressure Sodium			Metal Halide			Fluorescent	
Wattage	Catalog #	ANSI Code	Wattage	Catalog #	ANSI Code	Wattage	Catalog #
70	LHPS70	S62	50	LMH50	M110	42	LCFL42
100	LHPS100	S54	70	LMH70	M98		
150	LHPS175	S55	100	LMH100	M90		
			150	LMH150PS	M102		
			150	LMH150	M107		
			175	LMH175	M57		

CLEANING

Clean reflector and glass refractor with nonabrasive glass cleaning solution or detergent. Rinse with clean water.

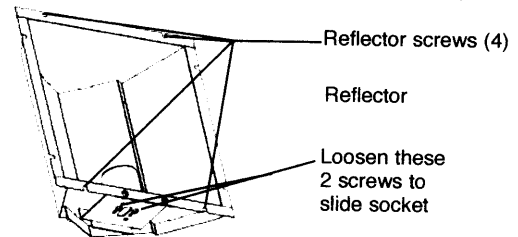
Caution: Be sure fixture temperature is cool enough to touch.

TROUBLESHOOTING CHECKLIST:

1. Proper lamp is installed. Lamp is not faulty.
2. Fixture is wired properly.
3. Line voltage at the fixture is proper.
4. Fixture is grounded properly.

BEAM SPREAD ADJUSTMENT

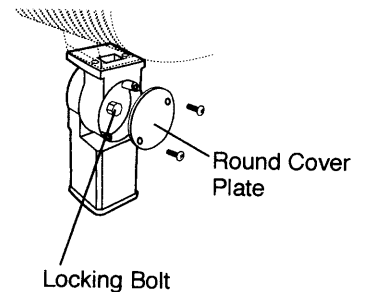
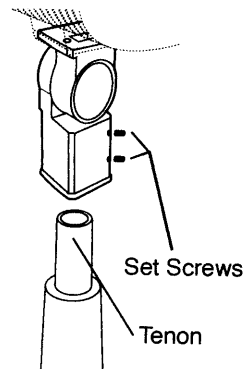
WARNING: Make certain power is off. The lamp socket can be moved from the standard wide beam position (position 2) to the rear position to provide a more narrow beam.



To adjust socket position, remove the reflector screws and carefully lift the reflector out of the fixture. Loosen the two socket screws and slide socket into the desired position. Tighten screws. Replace the socket bracket and reflector.

SLIPFITTER MOUNTING

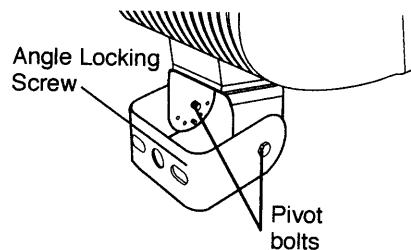
1. The slipfitter mounting fits a 2³/₈" O.D. tenon. Place the slipfitter over the tenon and secure the fixture with the 2 set screws on the side of the slipfitter.
2. The angle of the fixture can be adjusted by removing the round cover plate from the side of the slipfitter by removing 2 screws.
3. Loosen the locking bolt and swivel fixture to desired angle.
4. Tighten the locking bolt and re-attach cover plate.



TRUNNION MOUNTING

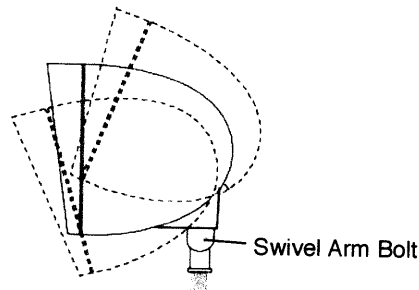
To adjust the angle of the fixture using the trunnion:

1. Loosen the pivot bolts & angle locking screw.
2. Adjust to desired angle.
3. Tighten pivot bolts & angle locking screw.



SWIVEL ARM MOUNTING

To adjust the angle of the fixture, loosen the swivel arm bolt and adjust fixture to desired angle. Tighten bolt.



EASY INSTALLATION & PRODUCT HELP

Fax Back
Faxed Tips & Specs,
24 hours/day.
888 RAB-1236

Tech Help Line
Call our friendly experts.
8AM - 5PM ET Mon. - Fri.
888 RAB-1000
tech@rabweb.com

www.rabweb.com
Visit our internet site for
color product photos
and installation tips.

e-mail
Your questions and requests
will be answered promptly.
sales@rabweb.com

© RAB LIGHTING, 9540-0 6/04
THESE INSTRUCTIONS DO NOT
COVER ALL DETAILS OR
VARIATIONS IN EQUIPMENT NOR
DO THEY PROVIDE FOR EVERY
POSSIBLE CONTINGENCY TO BE
MET IN CONNECTION WITH
INSTALLATION, OPERATION OR
MAINTENANCE.

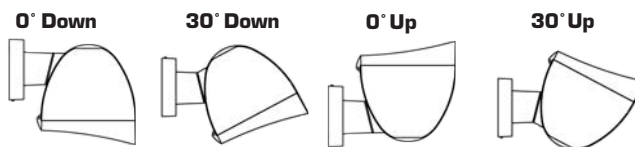


RAB LIGHTING
170 Ludlow Avenue Northvale, New Jersey 07647 U.S.A.

RAB

FLEX FLOOD

Wall Mount Installation Instructions



Thank you for buying RAB lighting fixtures. Our aim is to design the best quality products so you can get the job done right. We'd like to hear your comments. Call us at 888-RAB-1000, attention Marketing Department or email: marketing@rabweb.com.

IMPORTANT

READ CAREFULLY BEFORE INSTALLING FIXTURE. RETAIN INSTRUCTIONS FOR FUTURE REFERENCE.

RAB fixtures must be wired in accordance with the National Electrical Code and all applicable local codes. Proper grounding is required for safety.

WARNING: MAKE CERTAIN POWER IS OFF BEFORE INSTALLING OR MAINTAINING FIXTURE

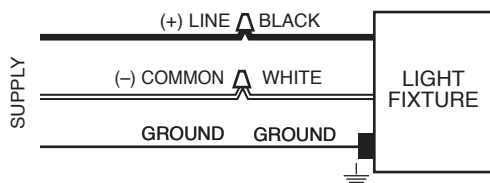
LOCATION

Fixture should not be recessed.

WIRING

All units are factory wired for 120v. If voltages other than 120V are required, Remove the reflector and rewire for the appropriate voltage.

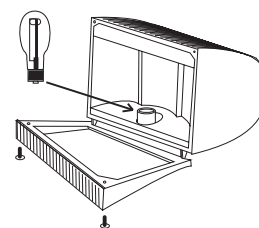
1. Connect the appropriate BLACK fixture lead to the (+) LINE supply lead.
2. Connect the WHITE fixture lead to the (-) COMMON supply lead.
3. Fixture ground wire must be connected to supply ground.
4. All unused leads must be capped and insulated.



LAMP INSTALLATION

Caution: Prior to installing, check that the lamp is of proper type and wattage. Observe lamp manufacturer's recommendations on lamp operation, ballast type and burning positions.

1. Disconnect power. Make sure fixture and lamp are cool enough to touch.
2. Open fixture by removing the 4 door screws. Swing lens door down on hinges.
3. Insert lamp.
4. Before closing lens door make sure frame gasket is properly seated all around fixture.
5. Close door. Tighten 4 screws.



REPLACEMENT LAMPS:

High Pressure Sodium		ANSI
Wattage	Catalog #	Code
70	LHPS70	S62
100	LHPS100	S54
150	LHPS175	S55

Metal Halide		ANSI
Wattage	Catalog #	Code
50	LMH50	M110
70	LMH70	M98
100	LMH100	M90
150	LMH150PS	M102
150	LMH150	M107
175	LMH175	M57

Fluorescent	
Wattage	Catalog #
42	LCFL42

CLEANING

Clean reflector and glass refractor with nonabrasive glass cleaning solution or detergent. Rinse with clean water.

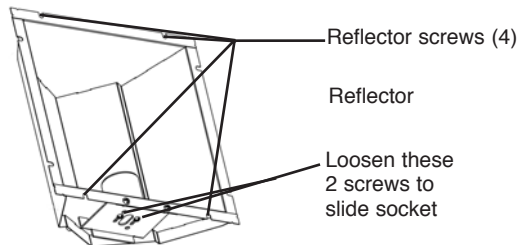
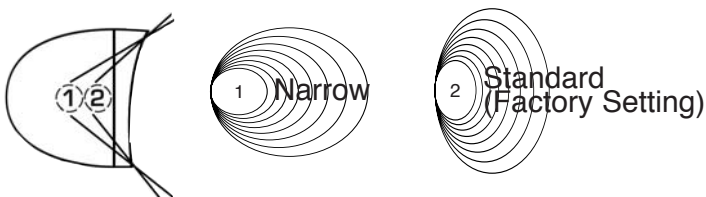
Caution: Be sure fixture temperature is cool enough to touch.

TROUBLESHOOTING CHECKLIST:

1. Proper lamp is installed. Lamp is not faulty.
2. Fixture is wired properly.
3. Line voltage at the fixture is proper.
4. Fixture is grounded properly.

BEAM SPREAD ADJUSTMENT

WARNING: Make certain power is off. The lamp socket can be moved from the standard wide beam position (position 2) to the rear position to provide a more narrow beam.

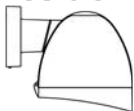


To adjust socket position, remove the reflector screws and carefully lift the reflector out of the fixture. Loosen the two socket screws and slide socket into the desired position. Tighten screws. Replace the socket bracket and reflector.

WALL MOUNTING OPTIONS

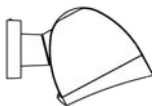
0° Down Position

No changes required



30° Down Position

Follow 1-2-3



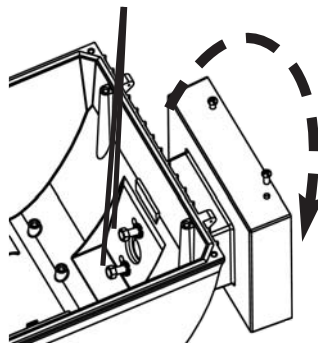
30° Up Position

Follow both 1-2-3 & A,B,C below

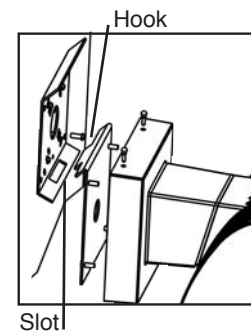


1. Open the lens frame & remove the 4 screws securing the reflector. Remove the reflector.
2. Remove the 2 bolts securing the wall mount to the fixture.
3. Rotate the wall mount 180° and re-attach the mounting bolts & lockwashers. Replace the reflector.

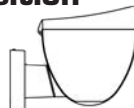
Wall Mount Bolts & Lockwashers



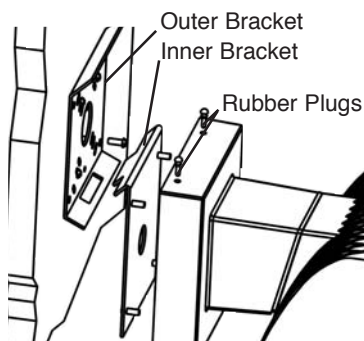
For Hands Free Wiring:
Hook the inner bracket hook into the outer bracket slot for easy hands free wiring



0° Up Position



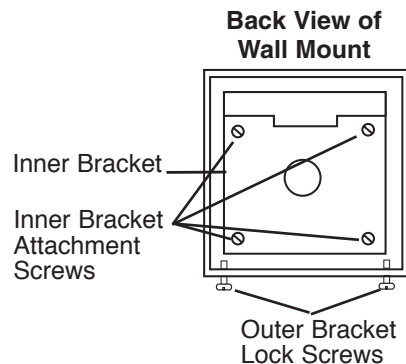
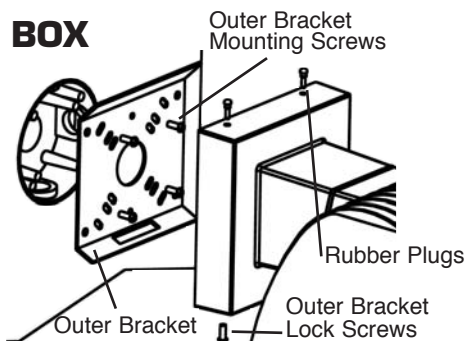
- A. Remove the 4 screws securing the inner bracket to the wall mount.
- B. Rotate the inner bracket 180° and re-attach the screws & lockwashers.
- C. Remove the rubber plugs from the bottom of the wall mount and re-insert them into the screw holes at the top of the wall mount.



MOUNTING TO A WEATHERPROOF BOX

The outer bracket has multiple mounting holes to fit most weatherproof boxes. (recessed only)

1. Attach the outer bracket to the weatherproof box and secure it to the inner bracket with the 2 lock screws on the bottom of the fixed wall mount.
2. For additional strength, the outer bracket can be anchored to the wall by using the outer holes on the bracket.



EASY INSTALLATION & PRODUCT HELP

Fax Back

Faxed Tips & Specs,
24 hours/day.
888 RAB-1236

Tech Help Line

Call our friendly experts.
8AM - 5PM ET Mon. - Fri.
888 RAB-1000
tech@rabweb.com

www.rabweb.com

Visit our internet site for
color product photos
and installation tips.

e-mail

Your questions and requests
will be answered promptly.

RAB LIGHTING

170 Ludlow Avenue Northvale, New Jersey 07647 U.S.A.

© RAB LIGHTING,9541-06/04

THESE INSTRUCTIONS DO NOT COVER ALL DETAILS OR VARIATIONS IN EQUIPMENT NOR DO THEY PROVIDE FOR EVERY POSSIBLE CONTINGENCY TO BE MET IN CONNECTION WITH INSTALLATION, OPERATION OR MAINTENANCE.

