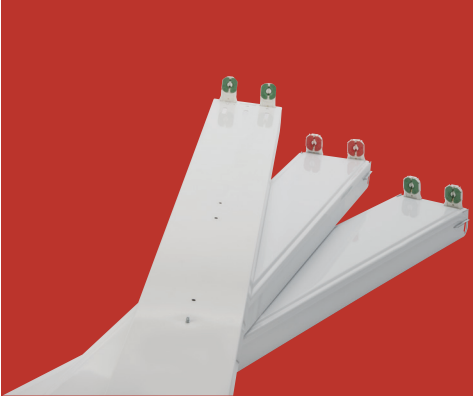




LED TUBE STRIP FIXTURES

DirectDrive Ready



DESCRIPTION

LED Tube Ready Strip Light Fixture. Available in 4' 2-Lamp or 8' 4-Lamp Configurations. (Lamps Sold Separately.)

RoHS Compliant **5 YEAR WARRANTY**

APPLICATION

Used for Indoor Highbay, Lowbay, Warehouse and General Lighting Applications.

PRODUCT FEATURES

- Post Painted White Steel Body
- Rated for Dry & Damp Locations
- Pre-wired for Use with Keystone Single Ended Wiring (Type B) LED T8 Tubes: 22W Max Per Lamp, 4' Long
- Some Assembly Required

4', 2-LAMP STRIP FIXTURE

Catalog Number	Description	Application
KT-DDSLEDT8-4-2L	4' LED Tube Ready Strip Fixture, 2 Lamp. (Lamps Sold Separately)	Highbay, Lowbay, Warehouse, and General Lighting

8', 4-LAMP STRIP FIXTURE

Catalog Number	Description	Application
KT-DDSLEDT8-8-4L	8' LED Tube Ready Strip Fixture, 4 Lamp. (Lamps Sold Separately)	Highbay, Lowbay, Warehouse, and General Lighting

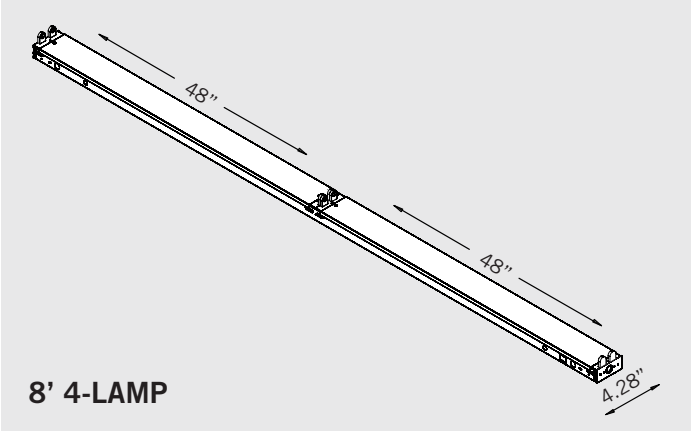
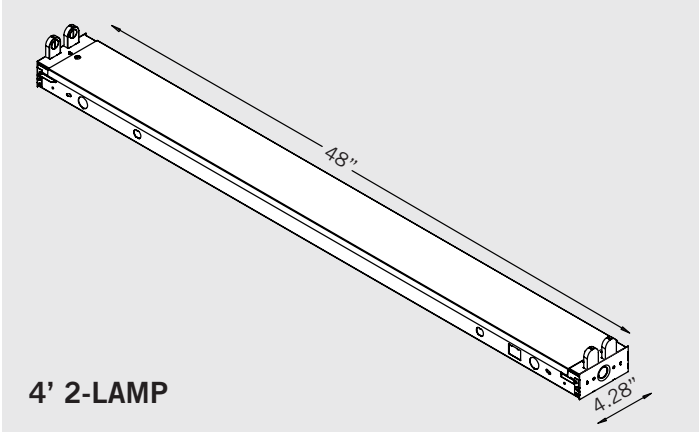
NOTE: The products listed above are specifically designed for use with Keystone's Single Ended Wiring (Type B) DirectDrive LED tubes: 22W max per lamp



LED TUBE STRIP FIXTURES

DirectDrive Ready

PHYSICAL SPECIFICATIONS



To order version with UL Listed markings, append “-U” suffix (example: KT-DDSLEDT8-4-2L-U).
Note that lamps must ship separately, but on the same shipment as fixture body when ordering UL Listed version.

CATALOG NUMBER BREAKDOWN

KT-DDSLEDT8-4-4L

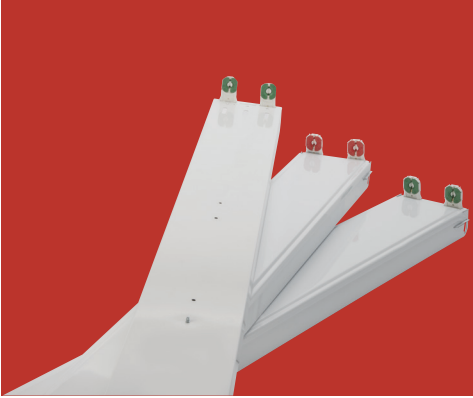


Specifications subject to change. Last revised on 4.14.17



LED TUBE STRIP FIXTURES

DirectDrive Ready



DESCRIPTION

LED Tube Ready Strip Light Fixture. Available in 4' 2-Lamp or 8' 4-Lamp Configurations. (Lamps Sold Separately.)



APPLICATION

Used for Indoor Highbay, Lowbay, Warehouse and General Lighting Applications.

PRODUCT FEATURES

- Post Painted White Steel Body
- Rated for Dry & Damp Locations
- Pre-wired for Use with Keystone Single Ended Wiring (Type B) LED T8 Tubes: 22W Max Per Lamp, 4' Long
- Some Assembly Required

4', 2-LAMP STRIP FIXTURE

Catalog Number	Description	Application
KT-DDSLEDT8-4-2L	4' LED Tube Ready Strip Fixture, 2 Lamp. (Lamps Sold Separately)	Highbay, Lowbay, Warehouse, and General Lighting

8', 4-LAMP STRIP FIXTURE

Catalog Number	Description	Application
KT-DDSLEDT8-8-4L	8' LED Tube Ready Strip Fixture, 4 Lamp. (Lamps Sold Separately)	Highbay, Lowbay, Warehouse, and General Lighting

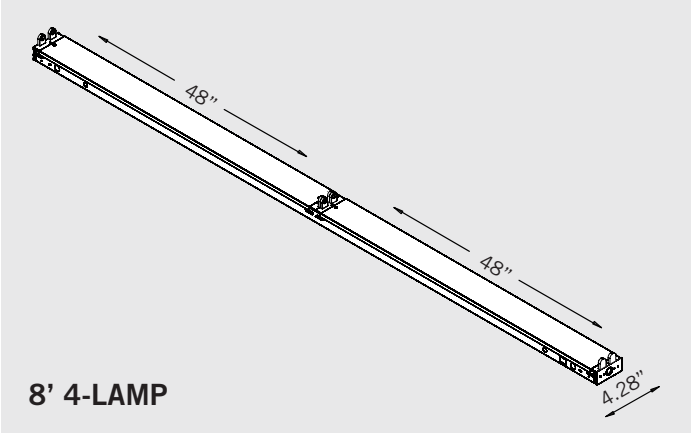
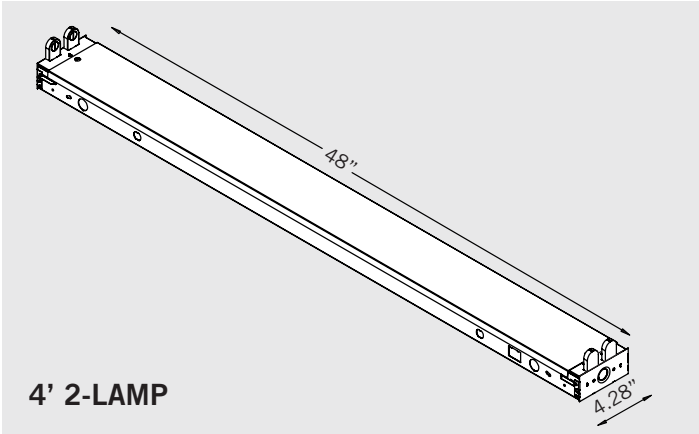
NOTE: The products listed above are specifically designed for use with Keystone's Single Ended Wiring (Type B) DirectDrive LED tubes: 22W max per lamp



LED TUBE STRIP FIXTURES

DirectDrive Ready

PHYSICAL SPECIFICATIONS



To order version with UL Listed markings, append “-U” suffix (example: KT-DDSLEDT8-4-2L-U).
Note that lamps must ship separately, but on the same shipment as fixture body when ordering UL Listed version.

CATALOG NUMBER BREAKDOWN

KT-DDSLEDT8-4-4L



Specifications subject to change. Last revised on 4.14.17

