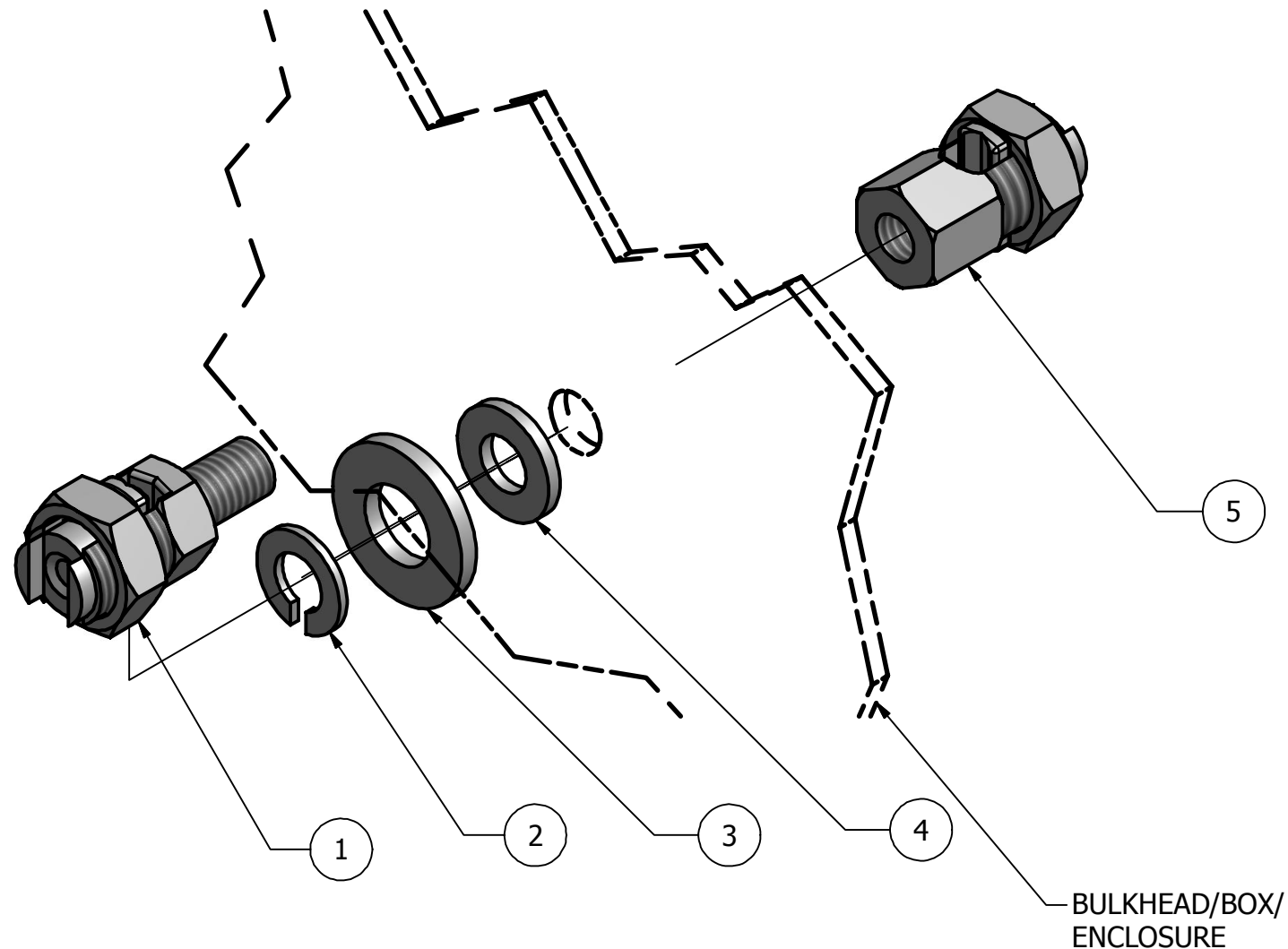


REV	DATE	DESCRIPTION	ECO	BY	C'H'K.
A	09/27/2012	INITIAL RELEASE	29082	TR	TR

*** BILL OF MATERIAL ***		
PT NO.	QTY	DESCRIPTION
1	1	MALE SERVIT
2	1	STAINLESS STEEL SPLIT LOCK WASHER
3	1	STAINLESS STEEL FLAT WASHER
4	1	SEALING WASHER
5	1	FEMALE SERVIT



CATALOG NUMBER	ACCOMODATES			NUT TORQUE IN-LBS [N-M]	MAX THRU HOLE
	AWG		METRIC		
	STRANDED	SOLID	STRANDED		
KCKF23	#8 (.146 DIA.) #2 (.292 DIA.)	#10 (.102 DIA.) #1 (.289 DIA.)	[10 mm ² (4.1 DIA.)] [35 mm ² (6.5 DIA.)]	275 [31.1]	7/16
KCKF25	#2 (.292 DIA.) 1/0 (.373 DIA.)	#2 (.258 DIA.) 2/0 (.365 DIA.)	[35 mm ² (6.5 DIA.)] [50 mm ² (9.3 DIA.)]	385 [43.5]	9/16
KCKF28	#1 (.332 DIA.) 4/0 (.528 DIA.)	#1 (.289 DIA.) 4/0 (.460 DIA.)	[50 mm ² (9.3 DIA.)] [95 mm ² (12.8 DIA.)]	500 [56.5]	11/16

NOTES:

1. DIMENSIONS IN BRACKETS [] ARE IN MILLIMETERS ROUNDED OFF TO THE NEAREST MILLIMETER, UNLESS OTHERWISE SPECIFIED AND ARE FOR REFERENCE ONLY.

2. ACCOMODATES: SEE TABLE

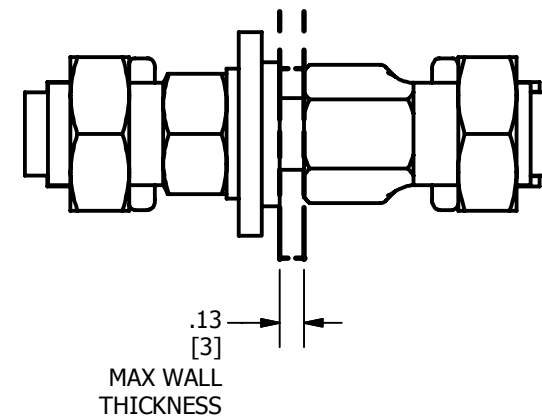
3. TORQUE: SEE TABLE

4. MATERIAL:
 BODY, NUT AND PRESSURE PLATE: COPPER
 SPLIT WASHER AND FLAT WASHER: STAINLESS STEEL
 SEALING WASHER: NEOPRENE
 OPTIONAL NEMA 4X SEALING WASHER: STAINLESS STEEL AND SILICONE RUBBER

5. PLATING: NONE

6. AVAILABLE WITH NEMA 4X RATED SEALING WASHERS BY ADDING "4X" TO THE PART NUMBER; i.e. KCKF234X. NOT AVAILABLE IN KCKF28.

7. HARDWARE TO BE INSTALLED ON OUTSIDE OF BOX OR, WHERE APPLICABLE, TO SIDE OF WALL EXPOSED TO ATMOSPHERIC OR CONTAMINATED CONDITIONS.



TO ORDER BURNDY® PRODUCTS CALL		BULKHEAD SERVIT													
UNITED STATES 1-800-346-4175 (LONDONDERRY, NH)		ITEM NO: N/A													
CANADA: 1-800-361-6975 (QUEBEC) 1-800-387-6487 (ALL OTHER PROVINCES)		CAT. NO: SEE TABLE													
FOR PRODUCT INFO: http://www.burndy.com		<table border="1"> <tr> <td>DRAWN BY: T.Reynolds</td> <td>9/27/2012</td> </tr> <tr> <td>CHECKER: T.Reynolds</td> <td>9/27/2012</td> </tr> <tr> <td>DSN APRVL: T.Reynolds</td> <td>10/18/2012</td> </tr> <tr> <td>MFG APRVL: D.Horne</td> <td>10/23/2012</td> </tr> <tr> <td>QA APRVL: T.Watts</td> <td>10/23/2012</td> </tr> <tr> <td>MKT APRVL: P.Therrien</td> <td>10/18/2012</td> </tr> </table>		DRAWN BY: T.Reynolds	9/27/2012	CHECKER: T.Reynolds	9/27/2012	DSN APRVL: T.Reynolds	10/18/2012	MFG APRVL: D.Horne	10/23/2012	QA APRVL: T.Watts	10/23/2012	MKT APRVL: P.Therrien	10/18/2012
DRAWN BY: T.Reynolds	9/27/2012														
CHECKER: T.Reynolds	9/27/2012														
DSN APRVL: T.Reynolds	10/18/2012														
MFG APRVL: D.Horne	10/23/2012														
QA APRVL: T.Watts	10/23/2012														
MKT APRVL: P.Therrien	10/18/2012														
<table border="1"> <tr> <td>PROJECT #: EP14456</td> <td>SIZE</td> </tr> <tr> <td>DOCUMENT TYPE: SALES</td> <td>50009515</td> </tr> <tr> <td>REL LEVEL: Released</td> <td>B</td> </tr> </table>		PROJECT #: EP14456	SIZE	DOCUMENT TYPE: SALES	50009515	REL LEVEL: Released	B	<table border="1"> <tr> <td>DRAWING NO</td> <td>REV</td> </tr> <tr> <td>50009515</td> <td>A</td> </tr> <tr> <td colspan="2">SHEET 1 OF 1</td> </tr> </table>		DRAWING NO	REV	50009515	A	SHEET 1 OF 1	
PROJECT #: EP14456	SIZE														
DOCUMENT TYPE: SALES	50009515														
REL LEVEL: Released	B														
DRAWING NO	REV														
50009515	A														
SHEET 1 OF 1															