
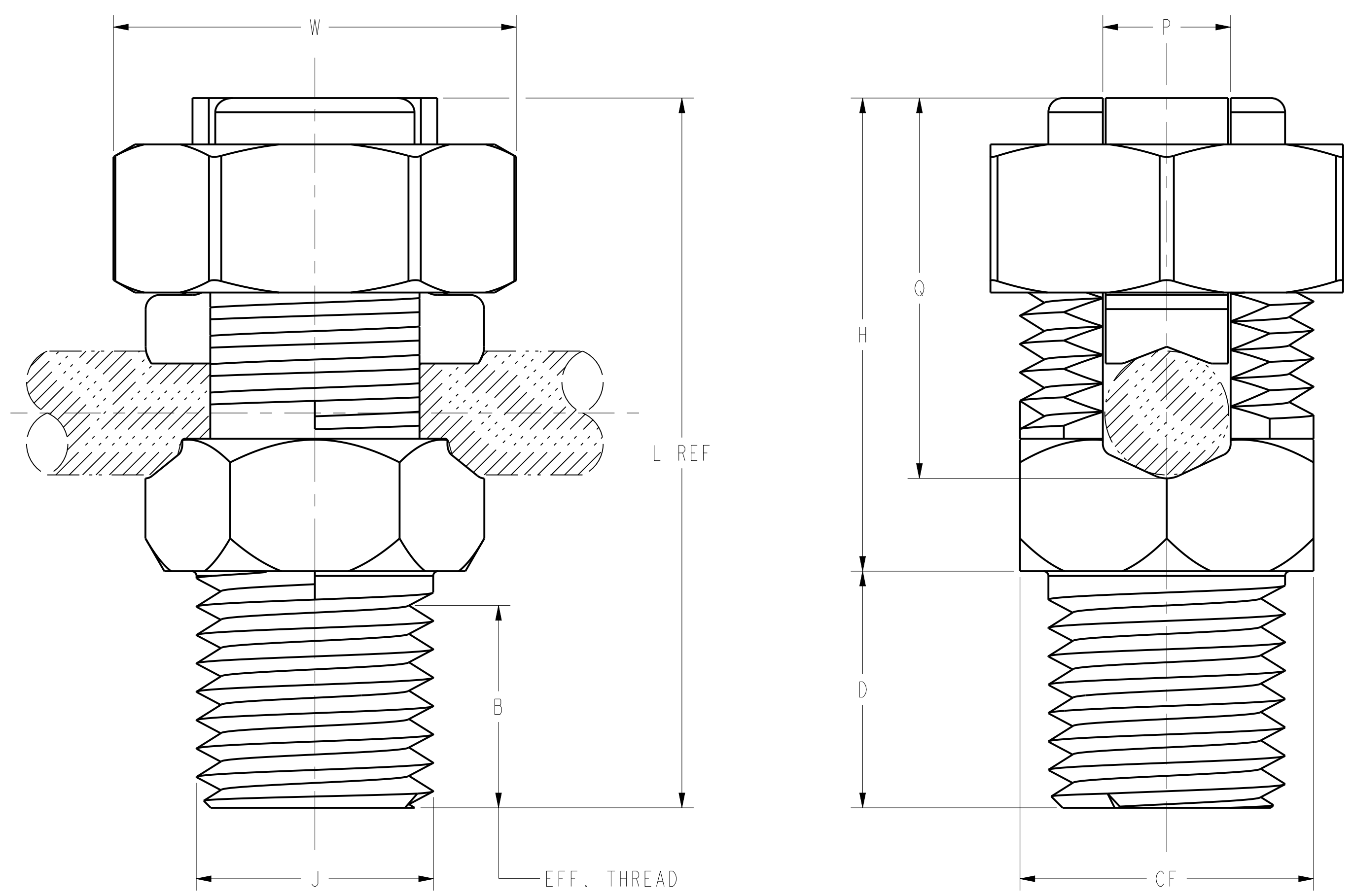
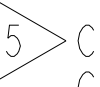



CATALOG NO.	CONDUCTOR ACCOMMODATED		B	CF	D	H	J	L REF.	P	Q	W	TORQUE LBS . IN [N . M]
	AWG.	[METRIC WIRE SIZE]										
KC22J12T13 	8 SOL (.128 DIA.)	10mm ² SOL [3.6 DIA.]	.41 [10]	.62 [16]	.50 [13]	1.00 [25]	1/2"-13	1.50 [38]	.27 [7]	.81 [21]	.88 [22]	275 [23]
	2 SOL (.257 DIA.)	35mm ² STR [7.6 DIA.]										
KC22J12T13B1	8 SOL (.128 DIA.)	10mm ² SOL [3.6 DIA.]	.94 [24]	.62 [16]	1.13 [29]	1.00 [25]	1/2"-13	2.12 [54]	.27 [7]	.81 [21]	.88 [22]	
	2 SOL (.257 DIA.)	35mm ² STR [7.6 DIA.]										

REV	DATE	DESCRIPTION	ECO	BY	C'H'K.
B	02/04/2013 00:00:00 AM	DRAWING UPDATION AS PER MARKUP	30318	YM	MB



- NOTES:
1. DIMENSIONS IN BRACKETS [] ARE IN MILLIMETERS ROUNDED OFF TO THE NEAREST MILLIMETER, UNLESS OTHERWISE NOTED AND ARE FOR REFERANCE ONLY.
 2. MATERIAL: LEADED COMMERCIAL BRONZE.
 3. FINISH: NONE
 4. UL LISTED 486A FILE E9498.UL467 FILE E9999 ABD CSA 22 NO.65 FILE 42861.
 - 5  CATALOG NUMBER KC22J12T13 SUPERSEDES CATALOG NUMBER KC22B2.

TO ORDER BURNDY® PRODUCTS CALL		TRANSFORMER GROUND CONNECTOR	
UNITED STATES 1-800-346-4175 (LONDONDERRY, NH)		ITEM NO: 25003416 & 50004627	
CANADA: 1-800-361-6975 (QUEBEC) 1-800-387-6487 (ALL OTHER PROVINCES)		CAT. NO: KC22J12T13 & KC22J12T13B1	
FOR PRODUCT INFO: http://www.burndy.com		DRAWN BY: R PERREAULT 11/15/93	
		CHECKER: K HENRY 11/17/93	
		DSN APPVL: K MELLO 11/22/93	
		MFG APPVL: --	
		GA APPVL: BRODEUR 02/05/13	
		MKT APPVL: THERRIEN 02/08/13	
		PROD FAM: --	SCALE: NTS
		PROJECT #: --	DRAWING NO
		DOCUMENT TYPE: Sales	SD208818-01
		REL LEVEL: Released	SHEET 1 OF 1

REV: PEC200