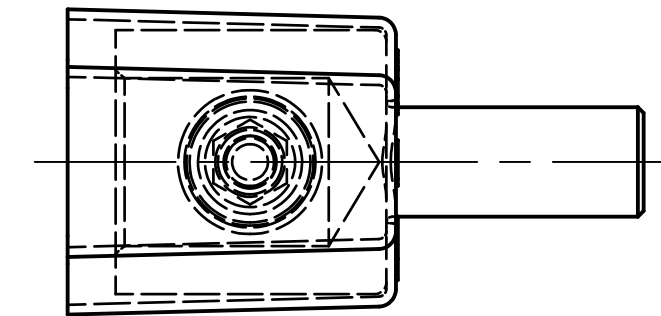
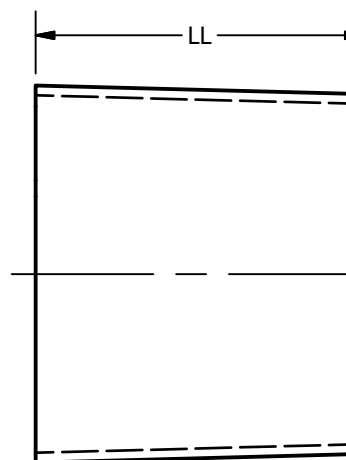
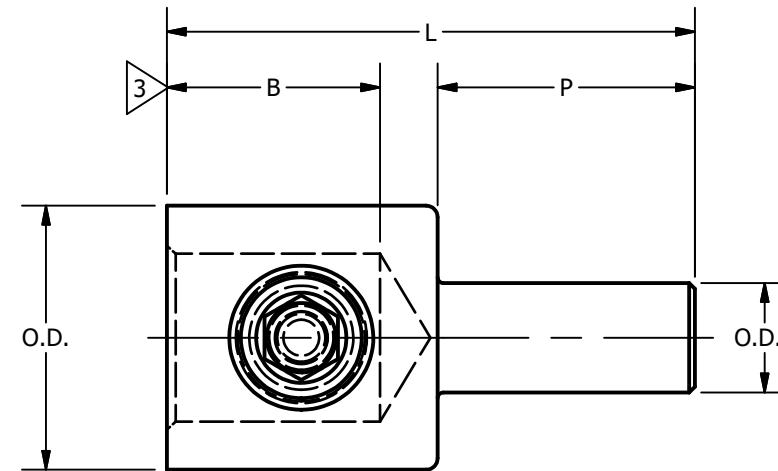
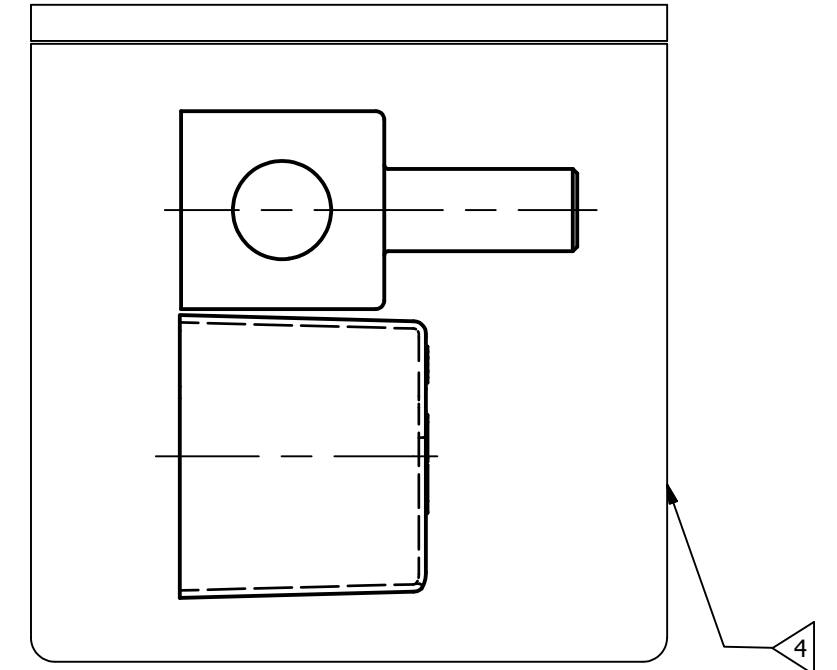


CATALOG NUMBER	ITEM NUMBER	WIRE RANGE	B	LL	L	O.D.	O.D.P	P	TORQUE, in. lbs.		HEX	AMP RATING
									RANGE	TORQUE		
KAP1/0	50076484	#6 TO 1/0 AWG CLASS B, C H, I, K, DLO	0.97 [25]	1.47 [37]	2.01 [51]	1.00 [25]	0.29 [7]	0.84 [21]	#6-1/0	100	1/4"	170
KAP350	50076486	1/0 AWG TO 350 kcmil CLASS B, C, H, I, K, DLO	1.11 [28]	1.71 [43]	2.75 [70]	1.38 [35]	0.57 [14]	1.34 [34]	1/0-350	450	3/8"	350
KAP750	50076488	350 kcmil TO 750 kcmil CLASS B, C, H, I, K, DLO	2.30 [58]	3.05 [77]	4.46 [113]	1.75 [44]	0.81 [21]	1.76 [45]	350-750	500	1/2"	535

REV	DATE	DESCRIPTION	ECO	BY	CHK.
D	07/22/2018	REMOVED "U" FROM CAT NO.	49510	JL	TR



VIEW AFTER INSTALLATION

LISTED TO 486A-B, FILE E60155

CERTIFIED TO C22.2, NO. 65, FILE 042860\_C\_000

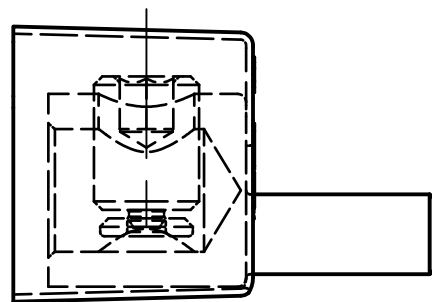
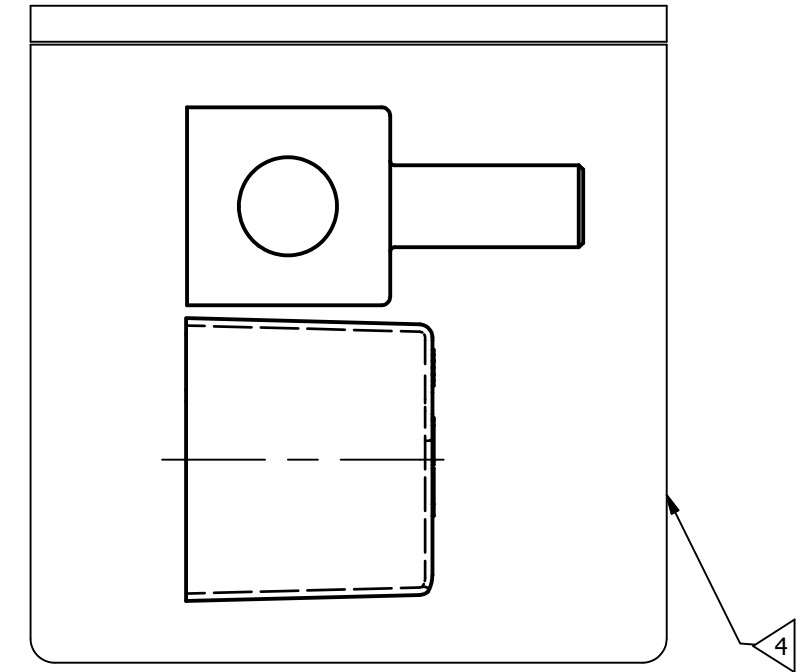
NOTES:

- MATERIAL: CONNECTOR - ALUMINUM  
INSULATION COVER - POLYPROPELENE 6839
- FINISH: TIN PLATED (CONNECTOR ONLY).
- CONDUCTOR INSERTION LENGTH MINIMUM.
- PACKAGED IN CLEAR POLYBAG.
- DIMENSIONS IN BRACKETS [ ] ARE IN MILLIMETERS ROUNDED OFF TO THE NEAREST MILLIMETER, UNLESS OTHERWISE SPECIFIED AND ARE FOR REFERENCE ONLY.
- VOLTAGE RATING - 600 V.
- AMPERAGE RATING - VALUES BASED ON NFPA 70, TABLE 310.15(B)(16). VALUES MAY VARY BASED ON AMBIENT CONDITIONS AND CONDUCTOR PROPERTIES.

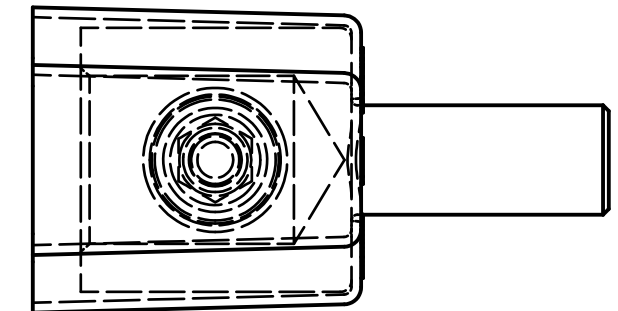
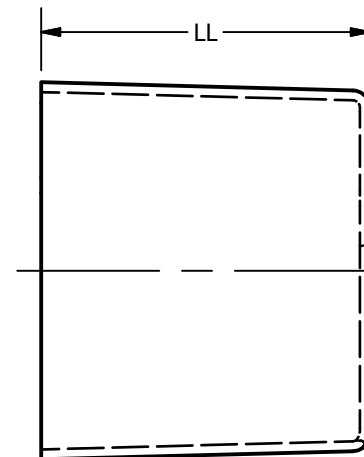
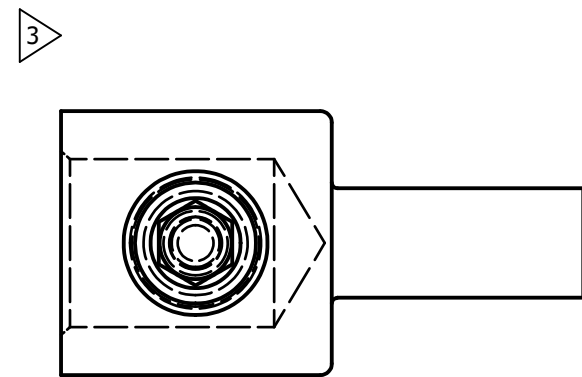
TO ORDER BURNDY® PRODUCTS CALL		MECHANICAL EQUIPMENT CONNECTOR	
UNITED STATES 1-800-346-4175 (LONDONDERRY, NH)		ITEM NO: SEE TABLE	
CANADA: 1-800-361-6975 (QUEBEC) 1-800-387-6487 (ALL OTHER PROVINCES)		CAT. NO: SEE TABLE	
FOR PRODUCT INFO: <a href="http://www.burndy.com">http://www.burndy.com</a>		DRAWN BY: G.JEBARUBAN 1/27/2017	
		CHECKER: B.MANIKANDAN 1/27/2017	
		DSN APRVL: T.REYNOLDS 1/26/2017	
		MFG APRVL: -- 2/4/2017	
		QA APRVL: T.WATTS 1/27/2017	
		MKT APRVL: M.BAILLY 1/27/2017	
		PROJ #: NPD-01631	
		SIZE: B	
		DRAWING NO: 50076514	
		REV: D	
		SHEET 1 OF 2	

CATALOG NUMBER	ITEM NUMBER	WIRE RANGE	B	LL	L	O.D.	O.D.P	P	TORQUE,		HEX	AMP RATING
									RANGE	TORQUE		
KAYPO1/0	50076502	#6 TO 1/0 AWG CLASS B, C H, I, K, DLO	0.97 [25]	1.47 [37]	2.01 [51]	1.00 [25]	0.29 [7]	0.84 [21]	#6	80	1/4"	170
									#4-1/0	100		
KAYPO350	50076504	1/0 AWG TO 350 kcmil CLASS B, C, H, I, K, DLO	1.11 [28]	1.71 [43]	2.75 [70]	1.38 [35]	0.57 [14]	1.34 [34]	1/0-4/0	220	3/8"	350
									250-350	450		
KAYPO750	50076506	350 kcmil TO 750 kcmil CLASS B, C, H, I, K, DLO	2.30 [58]	3.05 [77]	4.46 [113]	1.75 [44]	0.81 [21]	1.76 [45]	350-750	500	1/2"	535


REV	DATE	DESCRIPTION	ECO	BY	C'H'K.
D	07/22/2018	REMOVED "U" FROM CAT NO.	49510	JL	TR




SIDE VIEW



VIEW AFTER INSTALLATION

 LISTED TO 486A-B, FILE E60155

 CERTIFIED TO C22.2, NO. 65, FILE 042860\_C\_000

TO ORDER BURNDY® PRODUCTS CALL		MECHANICAL EQUIPMENT CONNECTOR													
UNITED STATES 1-800-346-4175 (LONDONDERRY, NH)		ITEM NO: SEE TABLE													
CANADA: 1-800-361-6975 (QUEBEC) 1-800-387-6487 (ALL OTHER PROVINCES)		CAT. NO: SEE TABLE													
FOR PRODUCT INFO: <a href="http://www.burndy.com">http://www.burndy.com</a>		<table border="1"> <tr> <td>DRAWN BY: G.JEBARUBAN</td> <td>1/27/2017</td> </tr> <tr> <td>CHECKER: B.MANIKANDAN</td> <td>1/27/2017</td> </tr> <tr> <td>DSN APRVL: T.REYNOLDS</td> <td>1/26/2017</td> </tr> <tr> <td>MFG APRVL: --</td> <td>2/4/2017</td> </tr> <tr> <td>QA APRVL: T.WATTS</td> <td>1/27/2017</td> </tr> <tr> <td>MKT APRVL: M.BAILLY</td> <td>1/27/2017</td> </tr> </table>		DRAWN BY: G.JEBARUBAN	1/27/2017	CHECKER: B.MANIKANDAN	1/27/2017	DSN APRVL: T.REYNOLDS	1/26/2017	MFG APRVL: --	2/4/2017	QA APRVL: T.WATTS	1/27/2017	MKT APRVL: M.BAILLY	1/27/2017
DRAWN BY: G.JEBARUBAN	1/27/2017														
CHECKER: B.MANIKANDAN	1/27/2017														
DSN APRVL: T.REYNOLDS	1/26/2017														
MFG APRVL: --	2/4/2017														
QA APRVL: T.WATTS	1/27/2017														
MKT APRVL: M.BAILLY	1/27/2017														
<table border="1"> <tr> <td>PROJECT #: NPD-01631</td> <td>SIZE</td> </tr> <tr> <td>DOCUMENT TYPE: SALES</td> <td>50076514</td> </tr> <tr> <td>REL LEVEL: Released</td> <td>B</td> </tr> </table>		PROJECT #: NPD-01631	SIZE	DOCUMENT TYPE: SALES	50076514	REL LEVEL: Released	B	<table border="1"> <tr> <td>DRAWING NO</td> <td>REV</td> </tr> <tr> <td>50076514</td> <td>D</td> </tr> <tr> <td colspan="2">SHEET 2 OF 2</td> </tr> </table>		DRAWING NO	REV	50076514	D	SHEET 2 OF 2	
PROJECT #: NPD-01631	SIZE														
DOCUMENT TYPE: SALES	50076514														
REL LEVEL: Released	B														
DRAWING NO	REV														
50076514	D														
SHEET 2 OF 2															

