

ITEM NO.	CATALOG NO.	CONDUCTOR RANGE COPPER CABLE		B	C	H	J DIA.	K DIA.	L	N	T	FIG. NO.
		MIN.	MAX.									
390350	KA25	# 4 STR. (.232 DIA.)	1/0 STR. (.373 DIA.)	0.69 [18]	0.75 [19]	0.94 [24]	1/2" - 20 UNF -2A	0.42 [11]	1.69 [43]	0.38 [10]	0.13 [3]	1
390485	KA28	# 1 STR. (.332 DIA.)	4/0 STR. (.528 DIA.)	0.81 [21]	0.94 [24]	1.25 [32]	5/8" - 18 UNF-2A	0.42 [11]	1.94 [49]	0.44 [5]	0.19 [5]	1
8 390585	KA34	4/0 STR. (.528 DIA.)	500 Kcmil (.814 DIA.)	1.12 [28]	1.38 [35]	2.09 [53]	13/16" - 16 UN-2A	0.56 [14]	2.55 [65]	0.56 [14]	0.28 [7]	1
390039	KA25TN	# 4 STR. (.232 DIA.)	1/0 STR. (.373 DIA.)	0.69 [18]	0.75 [19]	0.94 [24]	1/2" - 20 UNF-2A	0.42 [11]	1.69 [43]	0.38 [10]	0.13 [3]	1
390022	KA28TN	# 1 STR. (.332 DIA.)	4/0 STR. (.528 DIA.)	0.81 [21]	0.97 [25]	1.25 [32]	5/8" - 18 UNF-2A	0.42 [11]	1.94 [49]	0.44 [5]	0.19 [5]	1
8 390032	KA34TN	4/0 STR. (.528 DIA.)	500 Kcmil (.814 DIA.)	1.12 [28]	1.38 [35]	2.09 [53]	13/16" - 16 UN-2A	0.56 [14]	2.55 [65]	0.56 [14]	0.28 [7]	1
390060	KA252TC38	# 4 STR. (.232 DIA.)	1/0 STR. (.373 DIA.)	0.69 [18]	0.75 [19]	0.94 [24]	1/2" - 20 UNF-2A	0.42 [11]	2.69 [68]	0.38 [10]	0.13 [3]	2
50007132	KA252TC38TN	# 4 STR. (.232 DIA.)	1/0 STR. (.373 DIA.)	0.69 [18]	0.75 [19]	0.94 [24]	1/2" - 20 UNF-2A	0.42 [11]	2.69 [68]	0.38 [10]	0.13 [3]	2

REV	DATE	DESCRIPTION	ECO	BY	C'H'K.
F	08/01/2012	UPDATED AS PER MARKUP	28250	SV	MB

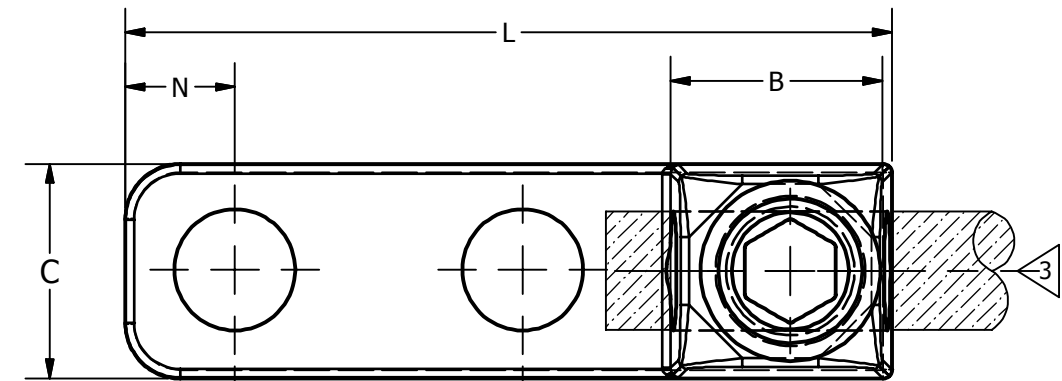
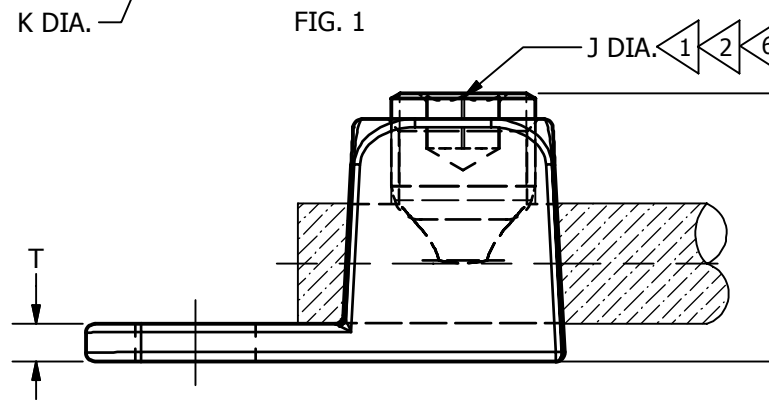
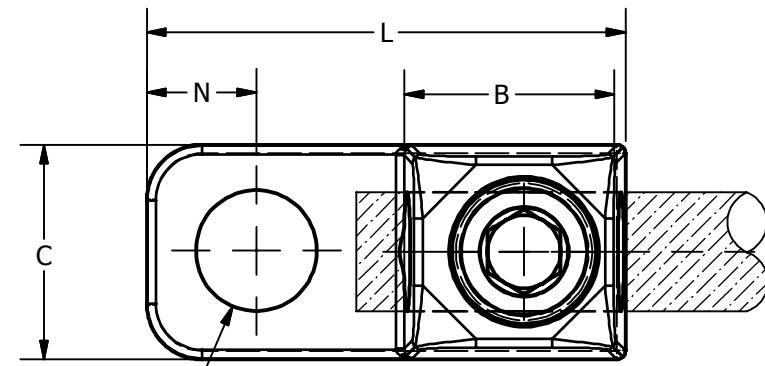


FIG. 2

WITH MAX. CONDUCTOR
IN PLACE BEFORE
COMPRESSION APPROX.

NOTES:

- 1 SUPPLIED WITH TIN PLATED STEEL SOCKET SET SCREW.
- 2 SUPPLIED WITH TIN PLATED BRASS SOCKET SET SCREW.
- 3 TWO HOLE PAD WITH TIN PLATED BRASS SOCKET SET SCREW.
- 4. MATERIAL: CAST COPPER ALLOY
- 5. DIMENSIONS IN BRACKETS [] ARE IN MILLIMETERS ROUNDED OFF TO THE NEAREST MILLIMETER, UNLESS OTHERWISE SPECIFIED AND ARE FOR REFERENCE ONLY.
- 6 ADD TO THE CATALOG # THE SUFFIX, SS FOR STAINLESS STEEL SCREW.
- 7. UL LISTED TO 486 A/B AND UL 467 GROUNDING AND BONDING.
- 8 NOT LISTED FOR GROUNDING.

TO ORDER BURNDY® PRODUCTS CALL UNITED STATES 1-800-346-4175 (LONDONDERRY, NH) CANADA: 1-800-361-6975 (QUEBEC) 1-800-387-6487 (ALL OTHER PROVINCES) FOR PRODUCT INFO: http://www.burndy.com		KA-LUG™	
		ITEM NO: SEE TABLE CAT. NO: KA--, KA--TN (TABLE)	
DRAWN BY: S.D.C. 8/25/1972		BURNDY	
CHECKER: J.P.S. 8/29/1972			
DSN APRVL: J.P.S. 8/31/1972			
MFG APRVL: --			
QA APRVL: --		MKT APRVL: --	
PROD FAM: CM&R MECHANICAL		DRAWING NO	
PROJECT #:		SIZE	
DOCUMENT TYPE: SALES		SC074265-01	
REL LEVEL: Released		SHEET 1 OF 1	
		REV F	