



Centium T5HO

CENTIUM ICN4S5490C2LSG35M

No matter what the conditions require, operating at a variety of line voltages between 120V to 480V, whether located in high ambient temperature environments (requiring a 90° C rating) or not, our family of Philips Advance Centium ballasts are ideal for a wide variety of applications.

Product data

| General Information | |
|-------------------------------|------------------------|
| Lamp Type | F54T5/HO |
| Number of Lamps | 3/4 piece/unit |
| Ballast Type | Electronic Fluorescent |
| Base Model | ICN4S5490C2LSG |
| Suitable For Outdoor Use | Yes |
| Automatic Restart | Yes |
| Operating and Electrical | |
| Input Voltage | 120 to 277 V |
| Input Frequency | 50 to 60 Hz |
| Total Harmonic Distortion USA | 10 % |
| Ignition Method | Programmed Start |
| Crestfactor (Nom) | 1.7 |
| Ignition Time (Nom) | 1.5 s |
| Ballast Factor (Nom) | 1 |
| Power Factor (Nom) | 0.98 |
| Input Current (Max) | 2.00 A |
| Input Current (Min) | 0.86 A |
| Input Power (Nom) | 240-234 W |
| Rated Lamp Power | 54 W |

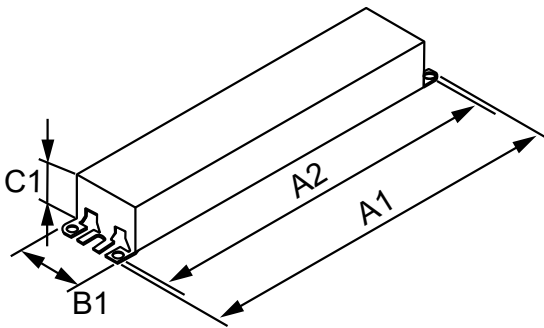
| Wiring | |
|--|--------------------|
| Color Input Terminals | No terminals |
| Color Output Terminals | No terminals |
| Wire Striplength | 0.50/0.375 mm |
| Lamp Connection | Series |
| Wire Length by Color | See data sheet |
| Wire Gauge (Nom) | 18AWG mm |
| Wire Type | Solid |
| Remote Wiring Configuration Allowed | Yes |
| Tandem Wiring Configuration Allowed | Yes |
| Through Wiring Configuration Allowed | Yes |
| Max Ballast-Lamp Distance Remote Wiring | 20' |
| Max Ballast-Lamp Distance Tandem Wiring | Blue & Brown = 20' |
| Max Ballast-Lamp Distance Through Wiring | Blue & Brown = 20' |
| Connector Type | No connector |
| Temperature | |
| T-Case Maximum (Nom) | 90 °C |
| Mechanical and Housing | |
| Housing Material | Metal |
| Housing | G |

Centium T5HO

| | |
|---------------------------------|---|
| Housing Dimensions | 16.7" x 1.7" x 1.18" |
| Approval and Application | |
| EMC Immunity Standard | FCC Non-Consumer |
| Approval Marks | CSA certificate UL certificate CEC Listing NOM certificate RoHS Compliant |
| Hum And Noise Level | A |
| UL Recognized | No |
| Product Data | |
| Order product name | CENTIUM ICN4S5490C2LSG35M |

| | |
|---------------------------------|--------------|
| EAN/UPC - Product | 781087047835 |
| Order code | 913710268502 |
| Numerator - Quantity Per Pack | 1 |
| Numerator - Packs per outer box | 6 |
| Material Nr. (12NC) | 913710268502 |
| Net Weight (Piece) | 1.212 kg |

Dimensional drawing



| Product | A1 | A2 | B1 | C1 |
|---------------------------|----------|----------|---------|---------|
| CENTIUM ICN4S5490C2LSG35M | 16.70 in | 16.34 in | 1.70 in | 1.18 in |

ELE BALLAST (4) F54T5HO 120-277V





Centium T5HO

CENTIUM ICN4S5490C2LSG35M

No matter what the conditions require, operating at a variety of line voltages between 120V to 480V, whether located in high ambient temperature environments (requiring a 90° C rating) or not, our family of Philips Advance Centium ballasts are ideal for a wide variety of applications.

Product data

| General Information | |
|-------------------------------|------------------------|
| Lamp Type | F54T5/HO |
| Number of Lamps | 3/4 piece/unit |
| Ballast Type | Electronic Fluorescent |
| Base Model | ICN4S5490C2LSG |
| Suitable For Outdoor Use | Yes |
| Automatic Restart | Yes |
| Operating and Electrical | |
| Input Voltage | 120 to 277 V |
| Input Frequency | 50 to 60 Hz |
| Total Harmonic Distortion USA | 10 % |
| Ignition Method | Programmed Start |
| Crestfactor (Nom) | 1.7 |
| Ignition Time (Nom) | 1.5 s |
| Ballast Factor (Nom) | 1 |
| Power Factor (Nom) | 0.98 |
| Input Current (Max) | 2.00 A |
| Input Current (Min) | 0.86 A |
| Input Power (Nom) | 240-234 W |
| Rated Lamp Power | 54 W |

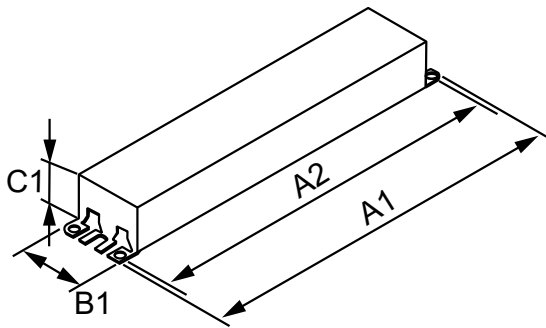
| Wiring | |
|--|--------------------|
| Color Input Terminals | No terminals |
| Color Output Terminals | No terminals |
| Wire Striplength | 0.50/0.375 mm |
| Lamp Connection | Series |
| Wire Length by Color | See data sheet |
| Wire Gauge (Nom) | 18AWG mm |
| Wire Type | Solid |
| Remote Wiring Configuration Allowed | Yes |
| Tandem Wiring Configuration Allowed | Yes |
| Through Wiring Configuration Allowed | Yes |
| Max Ballast-Lamp Distance Remote Wiring | 20' |
| Max Ballast-Lamp Distance Tandem Wiring | Blue & Brown = 20' |
| Max Ballast-Lamp Distance Through Wiring | Blue & Brown = 20' |
| Connector Type | No connector |
| Temperature | |
| T-Case Maximum (Nom) | 90 °C |
| Mechanical and Housing | |
| Housing Material | Metal |
| Housing | G |

Centium T5HO

| | |
|---------------------------------|---|
| Housing Dimensions | 16.7" x 1.7" x 1.18" |
| Approval and Application | |
| EMC Immunity Standard | FCC Non-Consumer |
| Approval Marks | CSA certificate UL certificate CEC Listing NOM certificate RoHS Compliant |
| Hum And Noise Level | A |
| UL Recognized | No |
| Product Data | |
| Order product name | CENTIUM ICN4S5490C2LSG35M |

| | |
|---------------------------------|--------------|
| EAN/UPC - Product | 781087047835 |
| Order code | 913710268502 |
| Numerator - Quantity Per Pack | 1 |
| Numerator - Packs per outer box | 6 |
| Material Nr. (12NC) | 913710268502 |
| Net Weight (Piece) | 1.212 kg |

Dimensional drawing



| Product | A1 | A2 | B1 | C1 |
|---------------------------|----------|----------|---------|---------|
| CENTIUM ICN4S5490C2LSG35M | 16.70 in | 16.34 in | 1.70 in | 1.18 in |

ELE BALLAST (4) F54T5HO 120-277V

