



# SmartMate

## SMARTMATE ICN3TTP40SC35I

Offering maximum versatility, the Philips Advance family of SmartMate ballasts for 4-pin compact fluorescent lamps drive a broad range of quad and triple-tube, circline, 2D, and long twin-tube lamps. SmartMate ballasts' energy efficient design, compact and lightweight housing, and user-friendly features make these ballasts an ideal choice for fixture manufacturers, retrofitters, and MRO replacement.

### Product data

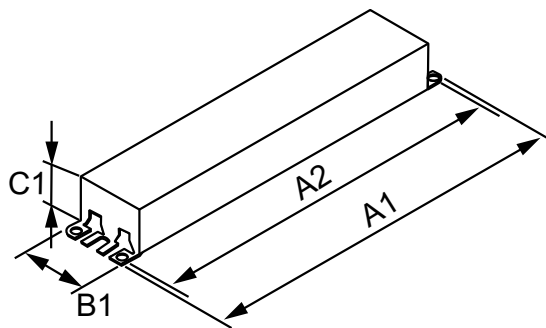
General Information	
Lamp Type	FT40W/2G11
Number of Lamps	2/3 piece/unit
Ballast Type	Electronic Fluorescent
Base Model	ICN3TTP40SC
Suitable For Outdoor Use	Yes
Automatic Restart	Yes
Operating and Electrical	
Input Voltage	120 to 277 V
Input Frequency	50 to 60 Hz
Total Harmonic Distortion USA	10 %
Ignition Method	Instant Start
Crestfactor (Nom)	1.7
Ignition Time (Nom)	0.1 s
Ballast Factor (Nom)	0.88
Power Factor (Nom)	0.98
Input Current (Max)	0.83 A
Input Current (Min)	0.35 A
Input Power (Nom)	99-97 W
Rated Lamp Power	40 W

Wiring	
Color Input Terminals	No terminals
Color Output Terminals	No terminals
Wire Striplength	0.50/0.375 mm
Lamp Connection	Parallel
Wire Length by Color	See data sheet
Wire Gauge (Nom)	18AWG mm
Wire Type	Solid
Remote Wiring Configuration Allowed	Yes
Tandem Wiring Configuration Allowed	Yes
Through Wiring Configuration Allowed	Yes
Max Ballast-Lamp Distance Remote Wiring	20'
Max Ballast-Lamp Distance Tandem Wiring	Any = 20'
Max Ballast-Lamp Distance Through Wiring	Any = 20'
Connector Type	No connector
Temperature	
T-Case Maximum (Nom)	70 °C
Mechanical and Housing	
Housing Material	Metal
Housing	SC

<b>Housing Dimensions</b>	9.5" x 1.7" x 1.18"
<b>Approval and Application</b>	
<b>EMC Immunity Standard</b>	FCC Non-Consumer
<b>Approval Marks</b>	CSA certificate UL certificate CEC Listing RoHS Compliant
<b>Hum And Noise Level</b>	A
<b>UL Recognized</b>	No
<b>Product Data</b>	
<b>Order product name</b>	SMARTMATE ICN3TTP40SC35I

<b>EAN/UPC - Product</b>	781087065099
<b>Order code</b>	913710835401
<b>Numerator - Quantity Per Pack</b>	1
<b>Numerator - Packs per outer box</b>	10
<b>Material Nr. (12NC)</b>	913710835401
<b>Net Weight (Piece)</b>	0.568 kg

Dimensional drawing



Product	A1	A2	B1	C1
SMARTMATE ICN3TTP40SC35I	9.5 in	8.90 in	1.7 in	1.18 in

ELE BALLAST (3) 40W CFL (4-PIN) 120-277V





# SmartMate

## SMARTMATE ICN3TTP40SC35I

Offering maximum versatility, the Philips Advance family of SmartMate ballasts for 4-pin compact fluorescent lamps drive a broad range of quad and triple-tube, circline, 2D, and long twin-tube lamps. SmartMate ballasts' energy efficient design, compact and lightweight housing, and user-friendly features make these ballasts an ideal choice for fixture manufacturers, retrofitters, and MRO replacement.

### Product data

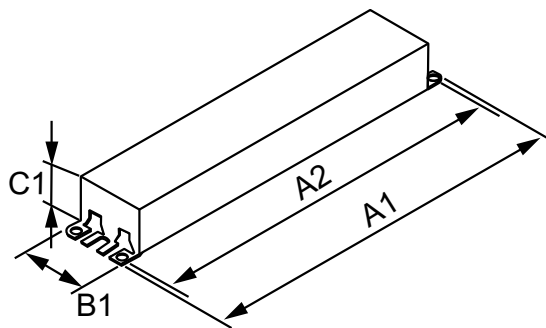
General Information	
Lamp Type	FT40W/2G11
Number of Lamps	2/3 piece/unit
Ballast Type	Electronic Fluorescent
Base Model	ICN3TTP40SC
Suitable For Outdoor Use	Yes
Automatic Restart	Yes
Operating and Electrical	
Input Voltage	120 to 277 V
Input Frequency	50 to 60 Hz
Total Harmonic Distortion USA	10 %
Ignition Method	Instant Start
Crestfactor (Nom)	1.7
Ignition Time (Nom)	0.1 s
Ballast Factor (Nom)	0.88
Power Factor (Nom)	0.98
Input Current (Max)	0.83 A
Input Current (Min)	0.35 A
Input Power (Nom)	99-97 W
Rated Lamp Power	40 W

Wiring	
Color Input Terminals	No terminals
Color Output Terminals	No terminals
Wire Striplength	0.50/0.375 mm
Lamp Connection	Parallel
Wire Length by Color	See data sheet
Wire Gauge (Nom)	18AWG mm
Wire Type	Solid
Remote Wiring Configuration Allowed	Yes
Tandem Wiring Configuration Allowed	Yes
Through Wiring Configuration Allowed	Yes
Max Ballast-Lamp Distance Remote Wiring	20'
Max Ballast-Lamp Distance Tandem Wiring	Any = 20'
Max Ballast-Lamp Distance Through Wiring	Any = 20'
Connector Type	No connector
Temperature	
T-Case Maximum (Nom)	70 °C
Mechanical and Housing	
Housing Material	Metal
Housing	SC

<b>Housing Dimensions</b>	9.5" x 1.7" x 1.18"
<b>Approval and Application</b>	
<b>EMC Immunity Standard</b>	FCC Non-Consumer
<b>Approval Marks</b>	CSA certificate UL certificate CEC Listing RoHS Compliant
<b>Hum And Noise Level</b>	A
<b>UL Recognized</b>	No
<b>Product Data</b>	
<b>Order product name</b>	SMARTMATE ICN3TTP40SC35I

<b>EAN/UPC - Product</b>	781087065099
<b>Order code</b>	913710835401
<b>Numerator - Quantity Per Pack</b>	1
<b>Numerator - Packs per outer box</b>	10
<b>Material Nr. (12NC)</b>	913710835401
<b>Net Weight (Piece)</b>	0.568 kg

**Dimensional drawing**



Product	A1	A2	B1	C1
SMARTMATE ICN3TTP40SC35I	9.5 in	8.90 in	1.7 in	1.18 in

ELE BALLAST (3) 40W CFL (4-PIN) 120-277V

