



# Centium T8HO

## CENTIUM ICN2S86SC351

Centium T8 High Output Solution for Cold Environments

### Product data

| General Information           |                        |
|-------------------------------|------------------------|
| Lamp Type                     | F96T8/HO               |
| Number of Lamps               | 1/2 piece/unit         |
| Ballast Type                  | Electronic Fluorescent |
| Base Model                    | ICN2S86SC              |
| Suitable For Outdoor Use      | Yes                    |
| Automatic Restart             | Yes                    |
| Operating and Electrical      |                        |
| Input Voltage                 | 120 to 277 V           |
| Input Frequency               | 50 to 60 Hz            |
| Total Harmonic Distortion USA | 10 %                   |
| Ignition Method               | Programmed Start       |
| Crestfactor (Nom)             | 1.6                    |
| Ignition Time (Nom)           | 1.5 s                  |
| Ballast Factor (Nom)          | 1.00                   |
| Power Factor (Nom)            | 0.99                   |
| Input Current (Max)           | 1.52 A                 |
| Input Current (Min)           | 0.65 A                 |
| Input Power (Nom)             | 182-178 W              |
| Rated Lamp Power              | 86 W                   |
| Wiring                        |                        |
| Color Input Terminals         | No terminals           |
| Color Output Terminals        | No terminals           |
| Wire Striplength              | 0.50/0.375 mm          |

|  |                |
|--|----------------|
| Lamp Connection                          | Series         |
| Wire Length by Color                     | See data sheet |
| Wire Gauge (Nom)                         | 18AWG mm       |
| Wire Type                                | Solid          |
| Remote Wiring Configuration Allowed      | Yes            |
| Tandem Wiring Configuration Allowed      | Yes            |
| Through Wiring Configuration Allowed     | Yes            |
| Max Ballast-Lamp Distance Remote Wiring  | 12'            |
| Max Ballast-Lamp Distance Tandem Wiring  | Blue = 12'     |
| Max Ballast-Lamp Distance Through Wiring | Blue = 12'     |
| Connector Type                           | No connector   |

| Temperature          |       |
|----------------------|-------|
| T-Case Maximum (Nom) | 70 °C |

| Mechanical and Housing |                     |
|------------------------|---------------------|
| Housing Material       | Metal               |
| Housing                | SC                  |
| Housing Dimensions     | 9.5" x 1.7" x 1.18" |

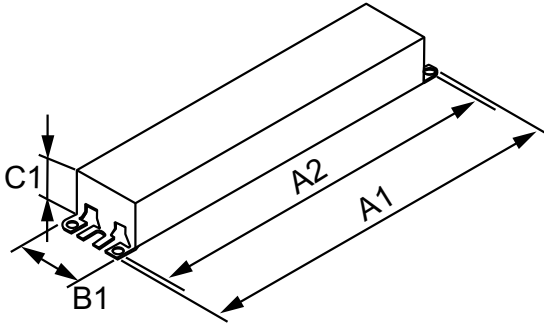
| Approval and Application |   |
|--------------------------|---|
| EMC Immunity Standard    | FCC Non-Consumer  |
| Approval Marks           | CSA certificate UL certificate CEC Listing Circle E logo DOE RoHS Compliant |
| Hum And Noise Level      | A   |

## Centium T8HO

|                     |                      |
|---------------------|----------------------|
| UL Recognized       | No                   |
| <b>Product Data</b> |                      |
| Order product name  | CENTIUM ICN2S86SC35I |
| EAN/UPC - Product   | 781087138458         |
| Order code          | 913701264801         |

|                                 |              |
|---------------------------------|--------------|
| Numerator - Quantity Per Pack   | 1            |
| Numerator - Packs per outer box | 10           |
| Material Nr. (12NC)             | 913701264801 |
| Net Weight (Piece)              | 0.577 kg     |

### Dimensional drawing



ELE BALLAST (2) F96T8/HO 120-277V

| Product              | A1     | A2     | B1     | C1      |
|----------------------|--------|--------|--------|---------|
| CENTIUM ICN2S86SC35I | 9.5 in | 8.9 in | 1.7 in | 1.18 in |





# Centium T8HO

## CENTIUM ICN2S86SC351

Centium T8 High Output Solution for Cold Environments

### Product data

| General Information           |                        |
|-------------------------------|------------------------|
| Lamp Type                     | F96T8/HO               |
| Number of Lamps               | 1/2 piece/unit         |
| Ballast Type                  | Electronic Fluorescent |
| Base Model                    | ICN2S86SC              |
| Suitable For Outdoor Use      | Yes                    |
| Automatic Restart             | Yes                    |
| Operating and Electrical      |                        |
| Input Voltage                 | 120 to 277 V           |
| Input Frequency               | 50 to 60 Hz            |
| Total Harmonic Distortion USA | 10 %                   |
| Ignition Method               | Programmed Start       |
| Crestfactor (Nom)             | 1.6                    |
| Ignition Time (Nom)           | 1.5 s                  |
| Ballast Factor (Nom)          | 1.00                   |
| Power Factor (Nom)            | 0.99                   |
| Input Current (Max)           | 1.52 A                 |
| Input Current (Min)           | 0.65 A                 |
| Input Power (Nom)             | 182-178 W              |
| Rated Lamp Power              | 86 W                   |
| Wiring                        |                        |
| Color Input Terminals         | No terminals           |
| Color Output Terminals        | No terminals           |
| Wire Striplength              | 0.50/0.375 mm          |

|  |                |
|--|----------------|
| Lamp Connection                          | Series         |
| Wire Length by Color                     | See data sheet |
| Wire Gauge (Nom)                         | 18AWG mm       |
| Wire Type                                | Solid          |
| Remote Wiring Configuration Allowed      | Yes            |
| Tandem Wiring Configuration Allowed      | Yes            |
| Through Wiring Configuration Allowed     | Yes            |
| Max Ballast-Lamp Distance Remote Wiring  | 12'            |
| Max Ballast-Lamp Distance Tandem Wiring  | Blue = 12'     |
| Max Ballast-Lamp Distance Through Wiring | Blue = 12'     |
| Connector Type                           | No connector   |

| Temperature          |       |
|----------------------|-------|
| T-Case Maximum (Nom) | 70 °C |

| Mechanical and Housing |                     |
|------------------------|---------------------|
| Housing Material       | Metal               |
| Housing                | SC                  |
| Housing Dimensions     | 9.5" x 1.7" x 1.18" |

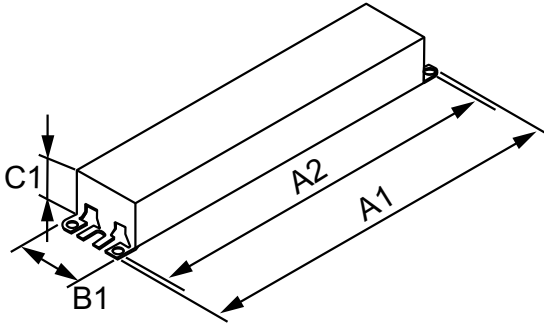
| Approval and Application |   |
|--------------------------|---|
| EMC Immunity Standard    | FCC Non-Consumer  |
| Approval Marks           | CSA certificate UL certificate CEC Listing Circle E logo DOE RoHS Compliant |
| Hum And Noise Level      | A   |

## Centium T8HO

|                     |                      |
|---------------------|----------------------|
| UL Recognized       | No                   |
| <b>Product Data</b> |                      |
| Order product name  | CENTIUM ICN2S86SC35I |
| EAN/UPC - Product   | 781087138458         |
| Order code          | 913701264801         |

|                                 |              |
|---------------------------------|--------------|
| Numerator - Quantity Per Pack   | 1            |
| Numerator - Packs per outer box | 10           |
| Material Nr. (12NC)             | 913701264801 |
| Net Weight (Piece)              | 0.577 kg     |

### Dimensional drawing



ELE BALLAST (2) F96T8/HO 120-277V

| Product              | A1     | A2     | B1     | C1      |
|----------------------|--------|--------|--------|---------|
| CENTIUM ICN2S86SC35I | 9.5 in | 8.9 in | 1.7 in | 1.18 in |

