

Phenolic Insulating Couplings

For Threaded Rigid Conduit & IMC

Type ICC

Features:

- Will not melt, soften or burn
- Temperature rating 150°C
- Dielectric strength of 220 V/mil.
- Tapered threads (NPT)

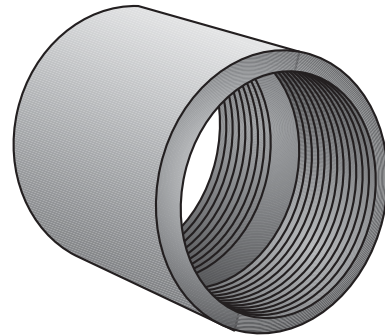
An insulating coupling having a substantial center shoulder, which prevents butting of the conduits, to assure a definite break in the metallic path.

The Type ICC is recommended for use where high strength or resistance to moisture or acid conditions is required.

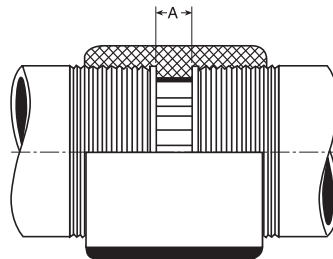
Material:

Canvas base phenolic (black).

Trade Size (inches)	Catalog Number	Dimensions in Inches		
		Max. Dia.	Overall Length	"A" Shoulder
1/2	ICC-50	1 1/8	1 3/8	3/8
3/4	ICC-75	1 5/8	1 1/2	3/8
1	ICC-100	1 5/8	1 3/4	3/8
1 1/4	ICC-125	2	1 7/8	3/8
1 1/2	ICC-150	2 1/4	2	3/8
2	ICC-200	2 3/4	2 1/8	3/8
2 1/2	ICC-250	3 1/4	3 3/8	5/8
3	ICC-300	3 3/4	3 1/4	5/8
3 1/2	ICC-350	4 3/8	3 3/8	5/8
4	ICC-400	5	3 3/8	5/8
5	ICC-500	6 1/4	4	3/4
6	ICC-600	7 1/4	4 1/4	3/4



Type ICC



Phenolic Insulating Couplings

For Threaded Rigid Conduit & IMC

Type ICC

Features:

- Will not melt, soften or burn
- Temperature rating 150°C
- Dielectric strength of 220 V/mil.
- Tapered threads (NPT)

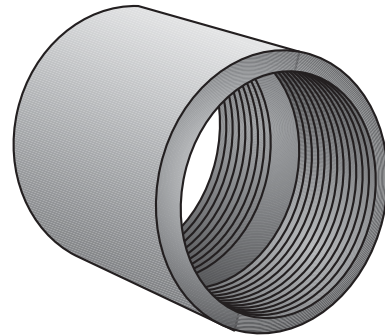
An insulating coupling having a substantial center shoulder, which prevents butting of the conduits, to assure a definite break in the metallic path.

The Type ICC is recommended for use where high strength or resistance to moisture or acid conditions is required.

Material:

Canvas base phenolic (black).

Trade Size (inches)	Catalog Number	Dimensions in Inches		
		Max. Dia.	Overall Length	"A" Shoulder
½	ICC-50	1⅞	1⅞	¾
¾	ICC-75	1⅞	1½	¾
1	ICC-100	1⅞	1¼	¾
1¼	ICC-125	2	1⅞	¾
1½	ICC-150	2¼	2	¾
2	ICC-200	2¼	2⅞	¾
2½	ICC-250	3¼	3⅞	⅝
3	ICC-300	3⅞	3¼	⅝
3½	ICC-350	4⅞	3⅞	⅝
4	ICC-400	5	3⅞	⅝
5	ICC-500	6¼	4	¾
6	ICC-600	7¼	4¼	¾



Type ICC

