

Description

4" new construction mounting frame accepts 'install from below' remodeler type housings securing ceiling location during electrical rough-in. Use to meet local code requirements where install from below housings must be supported directly by building structure.

Catalog #		Type
Project		
Comments		Date
Prepared by		

Specification Features

Plaster Frame

- Galvanized steel plaster frame with integral bar hanger receivers. Locking screws provide positive horizontal locking.
- Aperture accepts 'install from below' remodeler type housings, use mounting springs to secure.

Bar Hangers

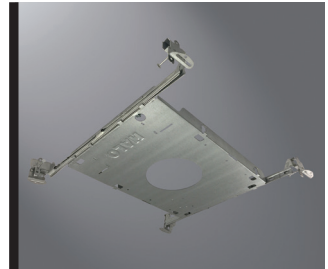
- Captive preinstalled bar hangers adjust from 8-1/2" to 24" wide
- Pass thru allows shortening without removal.
- Captive nail penetrates standard and engineered lumber.
- Mounting flange levels platform with ceiling.
- Integral clip attaches direction to tee grid.

Compliance

- Can be used to meet local code requirements where install from below housings must be supported directly by building structure.

Warranty

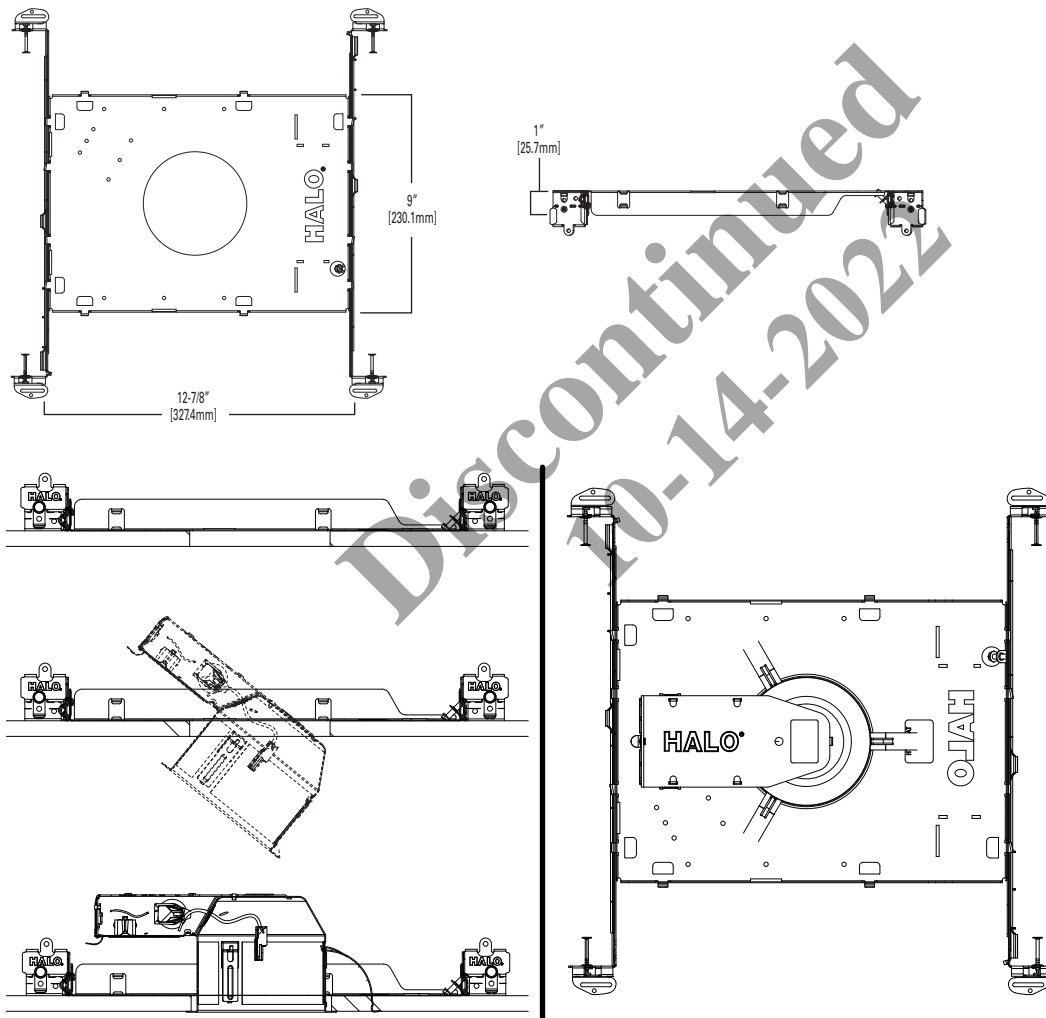
One year limited warranty, consult website for details.
www.cooperlighting.com



H4NCMF

4" New Construction Mounting Frame

Dimensions



Ordering Information

Housing	Compatible Housings
H4NCMF = 4" New Construction Mounting Frame	H245RICAT, H99RTAT, H1499RICAT, E4RTATSB

Description

4" new construction mounting frame accepts 'install from below' remodeler type housings securing ceiling location during electrical rough-in. Use to meet local code requirements where install from below housings must be supported directly by building structure.

Catalog #		Type
Project		
Comments		Date
Prepared by		

Specification Features

Plaster Frame

- Galvanized steel plaster frame with integral bar hanger receivers. Locking screws provide positive horizontal locking.
- Aperture accepts 'install from below' remodeler type housings, use mounting springs to secure.

Bar Hangers

- Captive preinstalled bar hangers adjust from 8-1/2" to 24" wide
- Pass thru allows shortening without removal.
- Captive nail penetrates standard and engineered lumber.
- Mounting flange levels platform with ceiling.
- Integral clip attaches direction to tee grid.

Compliance

- Can be used to meet local code requirements where install from below housings must be supported directly by building structure.

Warranty

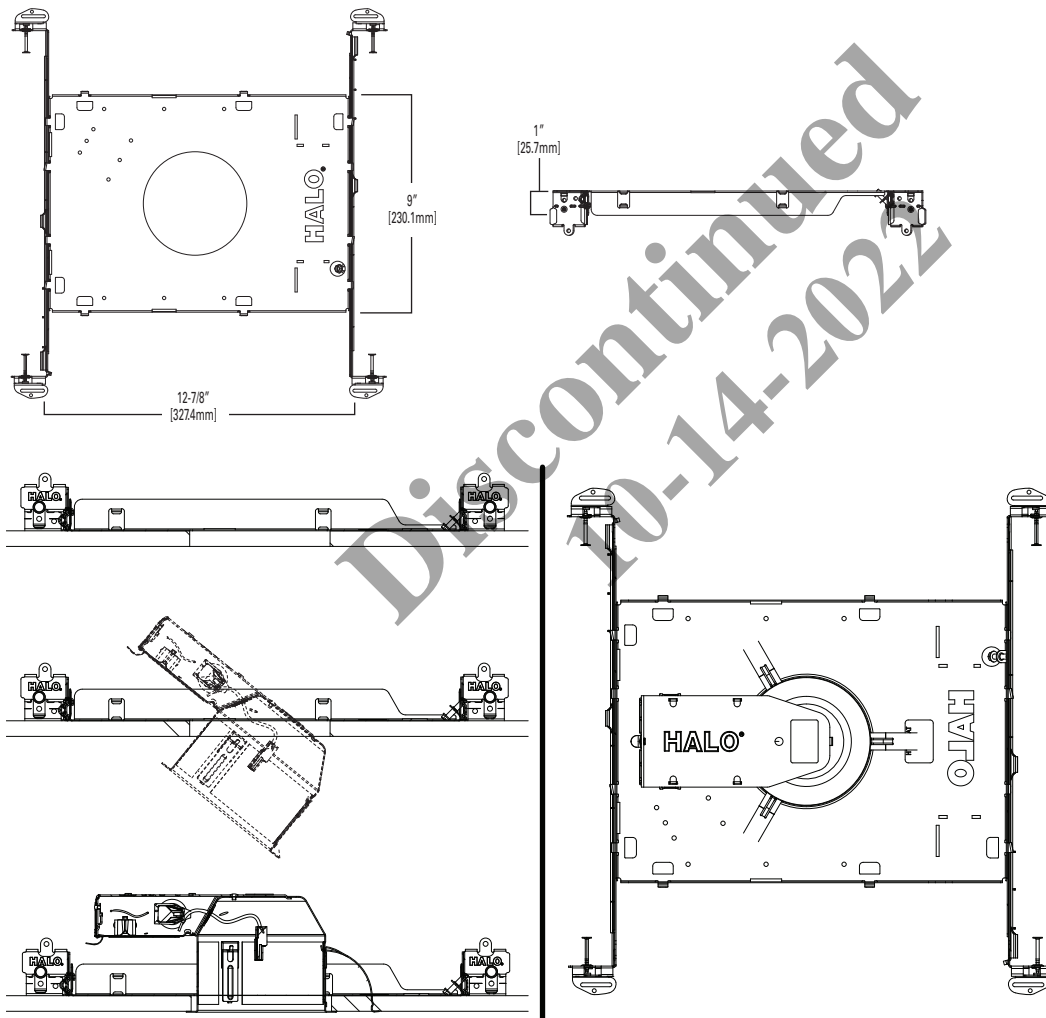
One year limited warranty, consult website for details.
www.cooperlighting.com



H4NCMF

4" New Construction Mounting Frame

Dimensions



Ordering Information

Housing	Compatible Housings
H4NCMF = 4" New Construction Mounting Frame	H245RICAT, H99RTAT, H1499RICAT, E4RTATSB