

Straight Blade Devices  
15A, 125V, 2 Pole, 3 Wire Grounding  
Insulgrip Connector



**Features**

- Individual wiring terminals completely enclosed
- Powerful, offsetting cord grips clamp on individual conductors
- Fast lead assembly screws
- Beveled housing prevents snagging

**Ordering Information**

Description	Cord Diameter	UPC	Catalog Number
Black and white nylon	.230"-.720"(5.8-18.3)	783585173252	HBL5269C

**Listings**

UL Listed to UL498 File E1706  
CSA Certified to C22.2 No. 42 File 280  
NEMA® WD-6 Compliant

**Specifications**

Housing/Cord Clamp	Nylon
Contact Holder	Nylon
Terminal Retainer	Clear Polycarbonate
Contacts	.040 in. (1.0) Brass
Terminal Screws	#8-32 Brass , multiple drive
Terminal Clamp	Nickel plated steel
Assembly Screws	Nickel plated steel

**Performance**

**Electrical**

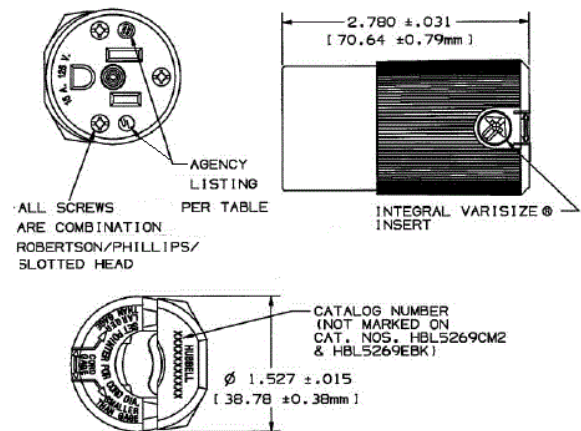
Current Interrupting Certified for current interrupting at full rated current  
Dielectric Voltage Withstands 2,000V minimum

**Mechanical**

Product Identification Ratings are a permanent part of the device  
Terminal Accommodation #18-10 AWG copper conductors only  
Terminal Identification Terminals identified in accordance with UL 498 and CSA

**Environmental**

Flammability UL 94 HB or better  
IP Suitability IP20  
Operating Temperatures Maximum continuous 75°C; minimum -40°C (w/o impact)



**Accessories**

Weatherproof Boot HBL6018

**Resources**

Customer Use Drawing  
eCatalog

Dimensions in Inches (mm)

Hubbell Wiring Device-Kellems • Hubbell Incorporated (Delaware) • 40 Waterview Drive • Shelton, CT 06484

Phone (800) 288-6000 • Fax (800) 255-1031 • Specifications subject to change without notice.



Straight Blade Devices  
 15A, 125V, 2 Pole, 3 Wire Grounding  
 Insulgrip Connector



**Features**

- Individual wiring terminals completely enclosed
- Powerful, offsetting cord grips clamp on individual conductors
- Fast lead assembly screws
- Beveled housing prevents snagging

**Ordering Information**

Description	Cord Diameter	UPC	Catalog Number
Black and white nylon	.230"-.720"(5.8-18.3)	783585173252	HBL5269C

**Listings**

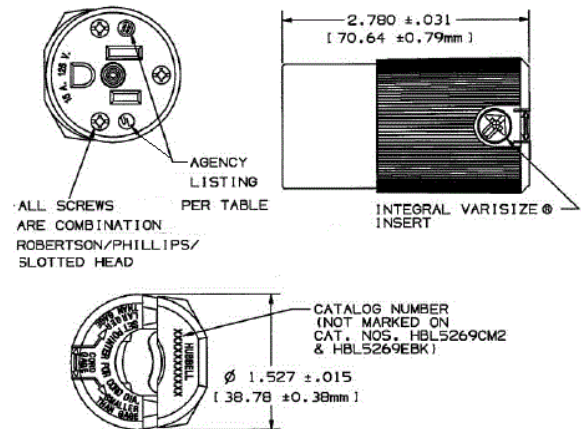
UL Listed to UL498 File E1706  
 CSA Certified to C22.2 No. 42 File 280  
 NEMA® WD-6 Compliant

**Specifications**

Housing/Cord Clamp	Nylon
Contact Holder	Nylon
Terminal Retainer	Clear Polycarbonate
Contacts	.040 in. (1.0) Brass
Terminal Screws	#8-32 Brass , multiple drive
Terminal Clamp	Nickel plated steel
Assembly Screws	Nickel plated steel

**Performance**

<b>Electrical</b>	
Current Interrupting	Certified for current interrupting at full rated current
Dielectric Voltage	Withstands 2,000V minimum
<b>Mechanical</b>	
Product Identification	Ratings are a permanent part of the device
Terminal Accommodation	#18-10 AWG copper conductors only
Terminal Identification	Terminals identified in accordance with UL 498 and CSA
<b>Environmental</b>	
Flammability	UL 94 HB or better
IP Suitability	IP20
Operating Temperatures	Maximum continuous 75°C; minimum -40°C (w/o impact)



**Accessories**

Weatherproof Boot	HBL6018
-------------------	---------

**Resources**

Customer Use Drawing  
 eCatalog

Dimensions in Inches (mm)

Hubbell Wiring Device-Kellems • Hubbell Incorporated (Delaware) • 40 Waterview Drive • Shelton, CT 06484

Phone (800) 288-6000 • Fax (800) 255-1031 • Specifications subject to change without notice.

