

Twist-Lock® Devices
 15A, 277V AC, 2 Pole, 3 Wire Grounding
 Insulgrip® Plug

HUBBELL

Features

- Individually molded face for each blade configuration
- Roomy wiring chamber provides ample space for wiring
- Ribbed nylon housing provides a secure grip that's impact and chemical resistant

Ordering Information

Description	Cord Diameter	UPC	Catalog Number
Insulgrip® plug, black and white nylon. Multiple drive screws	.230"-.720" (5.8-18.3)	783585171708	HBL4770C

Listings

Listed to UL 498
 Fed. Spec. W-C-596
 Certified to CSA C22.2 No.42

Specifications

Housing / Cord Clamp	Nylon
Terminal Retainer	Clear polycarbonate
Blades	Brass
Terminal Screws	#8-32 Brass (Phillips / Slotted / Robertson)
Terminal Clamp	Cold rolled steel – nickel plated
Assembly Screws	Steel - nickel plated

Performance

Electrical

Current Interrupting Certified for current interrupting at full rated current
 Dielectric Voltage Withstands 2,000V minimum

Mechanical

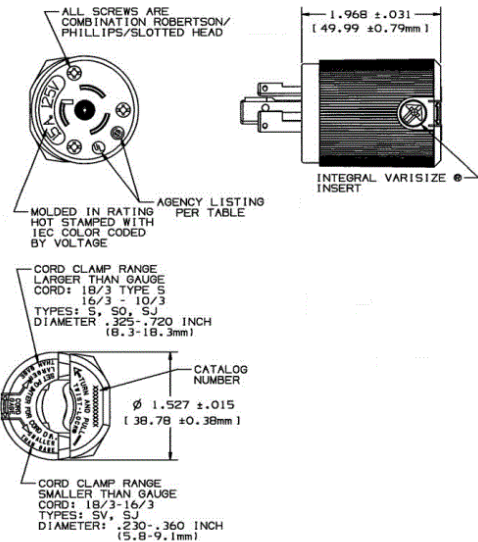
Terminal Accommodation #16 AWG - #8 AWG stranded copper wire only.
 Terminal Identification Terminals identified in accordance with UL 498

Environmental

Flammability HB or better per UL94 or CSA 22.2 No. 0.6
 Moisture Resistance IP20 Suitability
 Operating Temperatures Maximum Continuous 75°C Minimum -40°C (w/o impact)



15A 277V AC
 NEMA L7-15P
 UL/CSA
 2 HP



Accessories

Connector	HBL4779C
Weatherproof Boot	HBL6023
Duplex Receptacle	HBL4750
Single Receptacle	HBL4760
Flanged Receptacle	HBL4785C

Resources

Customer Use Drawing
 eCatalog

Dimensions in Inches (mm)

Hubbell Wiring Device-Kellems • Hubbell Incorporated (Delaware) • 40 Waterview Drive • Shelton, CT 06484

Phone (800) 288-6000 • Fax (800) 255-1031 • Specifications subject to change without notice.



Twist-Lock® Devices
 15A, 277V AC, 2 Pole, 3 Wire Grounding
 Insulgrip® Plug

HUBBELL

Features

- Individually molded face for each blade configuration
- Roomy wiring chamber provides ample space for wiring
- Ribbed nylon housing provides a secure grip that's impact and chemical resistant

Ordering Information

Description	Cord Diameter	UPC	Catalog Number
Insulgrip® plug, black and white nylon. Multiple drive screws	.230"-.720" (5.8-18.3)	783585171708	HBL4770C

Listings

Listed to UL 498
 Fed. Spec. W-C-596
 Certified to CSA C22.2 No.42

Specifications

Housing / Cord Clamp	Nylon
Terminal Retainer	Clear polycarbonate
Blades	Brass
Terminal Screws	#8-32 Brass (Phillips / Slotted / Robertson)
Terminal Clamp	Cold rolled steel – nickel plated
Assembly Screws	Steel - nickel plated

Performance

Electrical

Current Interrupting	Certified for current interrupting at full rated current
Dielectric Voltage	Withstands 2,000V minimum

Mechanical

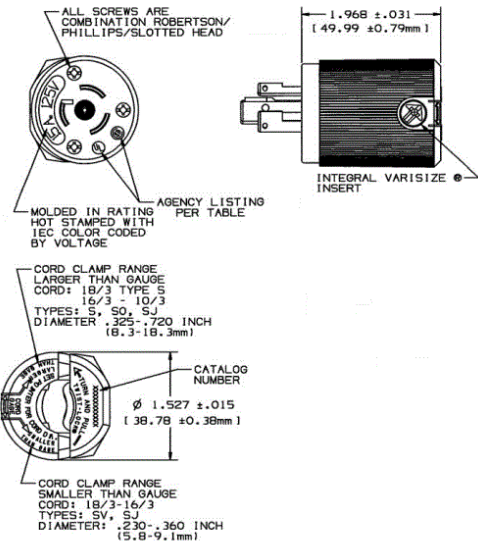
Terminal Accommodation	#16 AWG - #8 AWG stranded copper wire only.
Terminal Identification	Terminals identified in accordance with UL 498

Environmental

Flammability	HB or better per UL94 or CSA 22.2 No. 0.6
Moisture Resistance	IP20 Suitability
Operating Temperatures	Maximum Continuous 75°C Minimum -40°C (w/o impact)



15A 277V AC
 NEMA L7-15P
 UL/CSA
 2 HP



Accessories

Connector	HBL4779C
Weatherproof Boot	HBL6023
Duplex Receptacle	HBL4750
Single Receptacle	HBL4760
Flanged Receptacle	HBL4785C

Resources

Customer Use Drawing
 eCatalog

Dimensions in Inches (mm)

Hubbell Wiring Device-Kellems • Hubbell Incorporated (Delaware) • 40 Waterview Drive • Shelton, CT 06484

Phone (800) 288-6000 • Fax (800) 255-1031 • Specifications subject to change without notice.

