

Watertight Devices
15A, 277V AC, 2 Pole, 3 Wire
Twist-Lock® Connector

HUBBELL

Features

- Smooth body design minimizes collection points simplifying the wash down process
- Strain relief nut always seals on the body, minimizing debris collection
- Stainless steel hardware and corrosion-resistant connection points

Ordering Information

| Description | Cord Diameter | UPC | Catalog Number |
|--|-----------------------------|--------------|----------------|
| Thermoplastic elastomer yellow connector | 0.375"-0.625" (9.5-15.9) | 783585131313 | HBL25W34 |

Listings

Listed to UL498
Certified to CSA C22.2 No. 42
Meets NEMA WD-1, WD-6 and ANSI standards
UL Listed, CSA Certified to Type 4, 4X, 12, 6, 6P

Specifications

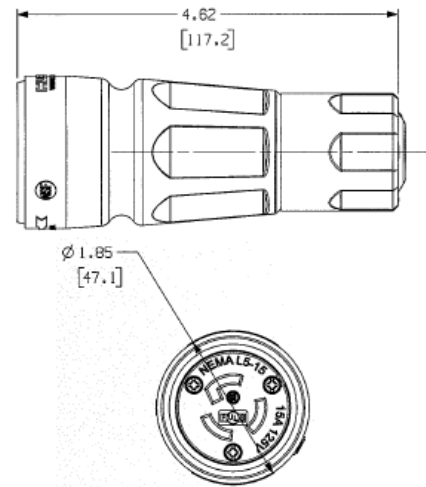
| | |
|---------------------|-------------------------|
| Body | Thermoplastic Elastomer |
| Contact Carrier | White Nylon |
| Terminal Retainer | Clear polycarbonate |
| Contacts | Nickel plated brass |
| Core | White Nylon |
| Bushing & Cone Seal | Black Elastomer |
| Gotcha Ring | Nylon |
| Strain Relief Nut | PBT |
| Terminal Screws | Nickel Plated Brass |

Performance

| Electrical | |
|------------------------|--|
| Current Interrupting | Certified for current interrupting at full rated current |
| Dielectric Voltage | 2500V AC |
| Max Working Voltage | As marked |
| Temperature Rise | 30°C max per UL498 at rated current |
| Mechanical | |
| Cord Accomodation | 0.375"-0.625" (9.5-15.9) |
| Environmental | |
| Moisture Resistance | UL Listed 4, 4X, 12, 6, 6P |
| Operating temperatures | -40°C (without impact) to +60°C continuous |
| UV resistance | All exposed materials are UV stabilized |



15A 277V AC
NEMA L7-15P
UL/CSA
2 HP



Complementary Products

| | |
|-----------------|----------|
| Watertight Plug | HBL24W34 |
|-----------------|----------|

Online Resources

| |
|----------|
| eCatalog |
|----------|

Dimensions in Inches (mm)

Hubbell Wiring Device-Kellems • Hubbell Incorporated (Delaware) • 40 Waterview Drive • Shelton, CT 06484

Phone (800) 288-6000 • Fax (800) 255-1031 • Specifications subject to change without notice.



Watertight Devices
15A, 277V AC, 2 Pole, 3 Wire
Twist-Lock® Connector

HUBBELL

Features

- Smooth body design minimizes collection points simplifying the wash down process
- Strain relief nut always seals on the body, minimizing debris collection
- Stainless steel hardware and corrosion-resistant connection points

Ordering Information

| Description | Cord Diameter | UPC | Catalog Number |
|--|-----------------------------|--------------|----------------|
| Thermoplastic elastomer yellow connector | 0.375"-0.625" (9.5-15.9) | 783585131313 | HBL25W34 |

Listings

Listed to UL498
Certified to CSA C22.2 No. 42
Meets NEMA WD-1, WD-6 and ANSI standards
UL Listed, CSA Certified to Type 4, 4X, 12, 6, 6P

Specifications

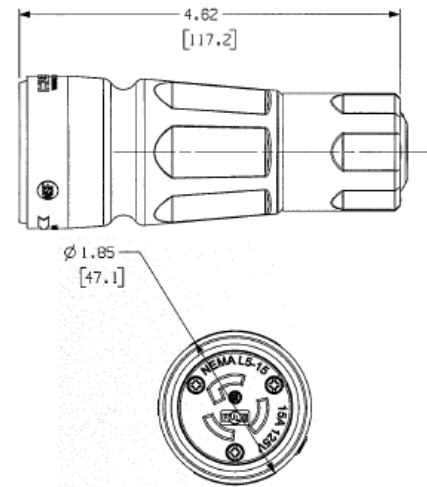
| | |
|---------------------|-------------------------|
| Body | Thermoplastic Elastomer |
| Contact Carrier | White Nylon |
| Terminal Retainer | Clear polycarbonate |
| Contacts | Nickel plated brass |
| Core | White Nylon |
| Bushing & Cone Seal | Black Elastomer |
| Gotcha Ring | Nylon |
| Strain Relief Nut | PBT |
| Terminal Screws | Nickel Plated Brass |

Performance

| Electrical | |
|------------------------|--|
| Current Interrupting | Certified for current interrupting at full rated current |
| Dielectric Voltage | 2500V AC |
| Max Working Voltage | As marked |
| Temperature Rise | 30°C max per UL498 at rated current |
| Mechanical | |
| Cord Accomodation | 0.375"-0.625" (9.5-15.9) |
| Environmental | |
| Moisture Resistance | UL Listed 4, 4X, 12, 6, 6P |
| Operating temperatures | -40°C (without impact) to +60°C continuous |
| UV resistance | All exposed materials are UV stabilized |



15A 277V AC
NEMA L7-15P
UL/CSA
2 HP



Complementary Products

| | |
|-----------------|----------|
| Watertight Plug | HBL24W34 |
|-----------------|----------|

Online Resources

| |
|----------|
| eCatalog |
|----------|

Dimensions in Inches (mm)

Hubbell Wiring Device-Kellems • Hubbell Incorporated (Delaware) • 40 Waterview Drive • Shelton, CT 06484

Phone (800) 288-6000 • Fax (800) 255-1031 • Specifications subject to change without notice.

