

Twist-Lock® Devices

20A, 125V AC, 2 Pole, 3 Wire Grounding

Single Flush Receptacle

Features

- High-impact, abuse-resistant nylon face
- Wire restraint recess for both back and side wiring, greatly reduces the possibility of loosening the terminal connection
- Face color coding by voltage facilitates locating and mating of proper devices
- All-brass mounting and grounding system provides a lower resistance ground path and greater resistance to corrosion than steel mounting systems

Ordering Information

Description	Device Color	UPC	Catalog Number
Nylon face, back and side wire.	Black	783585235509	HBL2310

Listings

Listed to UL 498
Fed.Spec. W-C-596
Certified to CSA C22.2 No.42

Specifications

Face	Nylon
Base	Glass-Reinforced thermoplastic polyester (RTP)
Contacts	Brass
Terminal Screws	#10 - 32 Brass
Mounting Strap	Brass

Performance

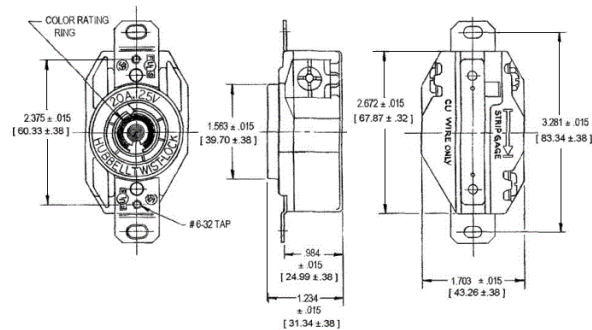
Electrical
Current Interrupting Certified for current interrupting at full rated current

Dielectric Voltage Withstands 2,000V minimum

Mechanical
Terminal Accommodation #16 AWG - #8 AWG solid or stranded copper wire only.
Terminal Identification Terminals identified in accordance with UL 498

Environmental
Flammability V2 or better per UL94/CSA 22.2 No.0.17
Moisture Resistance IP20 Suitability
Operating Temperatures Maximum Continuous 75°C; Minimum -40°C (w/o impact)

HUBBELL



Complementary Products

Plug	HBL2311
Wallplate or Weatherproof Cover	1.60" Opening
Switched Enclosure	SETL3

Online Resources

Customer Use Drawing
eCatalog
Installation Instructions

Dimensions in Inches (mm)

Hubbell Wiring Device-Kellems • Hubbell Incorporated (Delaware) • 40 Waterview Drive • Shelton, CT 06484

Phone (800) 288-6000 • Fax (800) 255-1031 • Specifications subject to change without notice.



Twist-Lock® Devices

20A, 125V AC, 2 Pole, 3 Wire Grounding

Single Flush Receptacle

HUBBELL

Features

- High-impact, abuse-resistant nylon face
- Wire restraint recess for both back and side wiring, greatly reduces the possibility of loosening the terminal connection
- Face color coding by voltage facilitates locating and mating of proper devices
- All-brass mounting and grounding system provides a lower resistance ground path and greater resistance to corrosion than steel mounting systems



20A 125V
NEMA L5-20R
UL/CSA
1 HP



Ordering Information

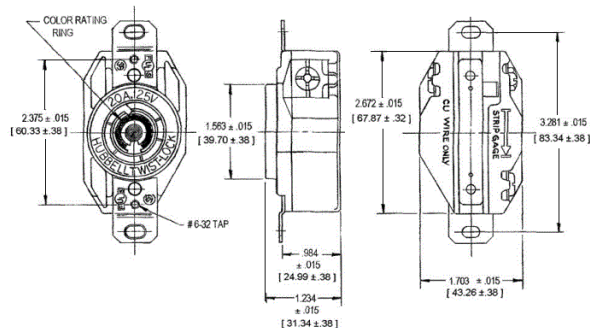
Description	Device Color	UPC	Catalog Number
Nylon face, back and side wire.	Black	783585235509	HBL2310

Listings

Listed to UL 498
Fed.Spec. W-C-596
Certified to CSA C22.2 No.42

Specifications

Face	Nylon
Base	Glass-Reinforced thermoplastic polyester (RTP)
Contacts	Brass
Terminal Screws	#10 - 32 Brass
Mounting Strap	Brass



Performance

Electrical
Current Interrupting Certified for current interrupting at full rated current

Dielectric Voltage Withstands 2,000V minimum

Mechanical
Terminal Accommodation #16 AWG - #8 AWG solid or stranded copper wire only.
Terminal Identification Terminals identified in accordance with UL 498

Environmental
Flammability V2 or better per UL94/CSA 22.2 No.0.17
Moisture Resistance IP20 Suitability
Operating Temperatures Maximum Continuous 75°C; Minimum -40°C (w/o impact)

Complementary Products

Plug	HBL2311
Wallplate or Weatherproof Cover	1.60" Opening
Switched Enclosure	SETL3

Online Resources

Customer Use Drawing
eCatalog
Installation Instructions

Dimensions in Inches (mm)

Hubbell Wiring Device-Kellems • Hubbell Incorporated (Delaware) • 40 Waterview Drive • Shelton, CT 06484

Phone (800) 288-6000 • Fax (800) 255-1031 • Specifications subject to change without notice.

