

**DESCRIPTION**

The H99ICAT is a small aperture IC AIR-TITE™ housing for accent and task lighting. It is designed for use in insulated ceilings where it will be in direct contact with insulation. It is an AIR-TITE™ housing designed to prevent air flow between living spaces and unconditioned areas.

Catalog #	Type
Project	
Comments	
Prepared by	Date

**SPECIFICATION FEATURES**

**Housing**

- Double wall aluminum construction helps dissipate heat. The inner housing can be adjusted in the plaster frame to compensate for different ceiling materials.
- Designed for insulated ceilings in direct contact with insulation. (May also be installed in non-insulated ceilings.)

**Plaster Frame**

- Galvanized steel die-formed construction.
- The inner housing can be removed from plaster frame to provide access to the junction box.
- Plaster frame features include:
  - Patented regressed locking screw positioned for securing hanger bars from below the ceiling.
  - Cutouts for easily crimping hanger bars in position.
  - AIR-TITE aperture gasket is pre-installed.
  - HALO identity embossed on plaster frame

**SLIDE-N-SIDE™ Junction Box**

- Positioned to accommodate straight conduit runs
- Seven 1/2" trade size conduit knockouts with true pry-out slots
- Slide-N-Side wire traps allow non-metallic sheathed cable to be installed without tools and without removing knockouts.
- Accepts a wide range of non-metallic (type NM) sheathed cables - the standard cable

- types used in lighting in both U.S. and Canada.
- Allows wiring connections to be made outside the junction box
  - Simply insert the cable directly into the trap after connections are made.
  - Accommodates the following standard non-metallic sheathed cable sizes: (US) #14/2, #14/3, #12/2, #12/3 (Canada) #14/2, #14/3, #12/2

**"Quick Connect" Connectors**

Three quick connect wiring connectors included.

**GOT NAIL! Pass-N-Thru™ Bar Hangers**

- Pre-installed nail easily installs in regular lumber, engineered lumber and laminated beams.
- Safety and guidance system prevents snagging, ensures smooth straight nail penetration and allows bar hangers to be easily removed if necessary.
- Automatic levelling flange aligns the housing and lets you hold the housing in place with one hand while driving nails.
- Housing can be positioned at any point within 24" joist span.
- Pass-N-Thru™ feature allows bar hangers to be shortened without removing from plaster frame.
- Score lines allow "toolless" shortening for 12" joists.
- Integral T-bar clip snaps onto T-bars - no additional clips required

**Socket**

Fixed position porcelain socket

with nickel plated brass screw shell provides consistent lamp positioning and ease of installation.

**Thermal Protector**

Thermal protector deactivates fixture if overheating occurs due to improper lamping.

**Labels**

- UL/cUL Listed 1598 Luminaire
- UL/cUL Damp Location Listed
- UL/cUL Listed for Wet Location, covered ceiling - with select trims
- UL/cUL Listed for Feed Through
- UL/cUL listed for Direct Contact with insulation and combustible material

**Qualification IC and AIR-TITE™**

- Certified under ASTM-E283 and listed UL/cUL 1598. May be used to meet insulated ceiling and restricted air-flow requirements such as:
- Washington State Energy Code
  - International Energy Conservation Code (IECC)
  - New York State Energy Conservation Construction Code (NY-ECCC)
  - State of California Title 24 "Recessed Luminaires in Insulated Ceilings."

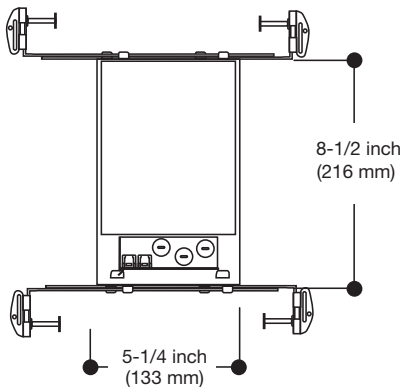
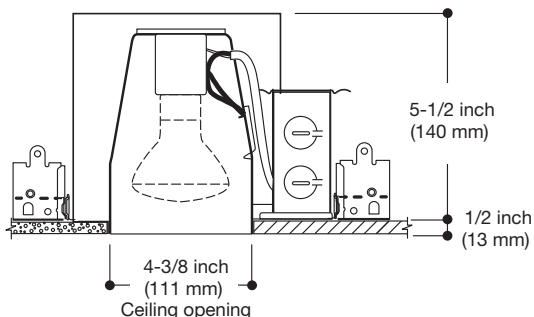


**H99ICAT**

**4" Insulated Ceiling AIR-TITE™ Recessed Housing**

**4" TRIMS**

**FOR USE IN INSULATED CEILINGS**  
**FOR DIRECT CONTACT WITH INSULATION**



TRIMS

ORDERING INFORMATION

SAMPLE NUMBER: H99ICAT-999P

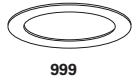
Order housing and trims separately.

Housing

Trims

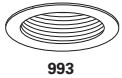
H99ICAT= 4" AIR-TITE™ Insulated Ceiling Small Aperture Housing

REFLECTORS

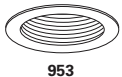


**Reflector Cone**  
 40W R16, 50W R20, 50W PAR20  
**999P**=Specular Clear, White Trim Ring  
**999AC**=Antique Copper with Antique Copper Trim Ring  
**999RG**=Residential Gold, white trim ring  
**999P**=White Reflector, White Trim Ring  
**999H**=Haze Reflector, White Trim Ring  
**999MB**=Specular Black Reflector, White Trim Ring  
**999SN**=Satin Nickel Reflector with Satin Nickel Trim Ring  
**999TBZ**=Tuscan Bronze Reflector with Tuscan Bronze Trim Ring  
 OD: 5 1/16" (129mm)

BAFFLES



**Coilex Baffle with Die Cast Trim Ring**  
 30W R20, 35W PAR20, 50W PAR20 with H1999 Socket Extender  
**993P**=Black Baffle with White Trim Ring  
**993AC**=Black Baffle with Antique Copper Trim Ring  
**993PB**=Black Baffle with Polished Brass Trim Ring  
**993W**=White Baffle with White Trim Ring  
**993SN**=Black Baffle with Satin Nickel Trim Ring  
**993TBZ**=Black Baffle with Tuscan Bronze Trim Ring  
 OD: 5 1/16" (129mm)



**Metal Baffle with Die Cast Trim Ring**  
 30W R20, 35W PAR20; 50W PAR20 with H1999 Socket Extender  
**953P**=Black Baffle with White Trim Ring  
**953W**=White Baffle with White Trim Ring  
**953AC**=Antique Copper Baffle with Antique Copper Trim Ring  
**953SN**=Satin Nickel Baffle with Satin Nickel Trim Ring  
**953TBZ**=Tuscan Bronze Baffle with Tuscan Bronze Trim Ring  
 OD: 5 1/16" (129mm)



**Full Cone Metal Baffle**  
 40W A19, (50W R20 - ERT413WHT only), 45W R20, 50W PAR 20  
**ERT413WHT**=High Gloss Appliance White Trim Ring with White Baffle  
**ERT413**=High Gloss Appliance White Trim Ring with Black Baffle  
 OD: 5 1/16" (129mm)

ADJUSTABLES



**Eyeball - 15° Tilt**  
 50W PAR20  
**996P**=White Eyeball  
**996AC**=Antique Copper Eyeball  
**996SN**=Satin Nickel Eyeball  
**996TBZ**=Tuscan Bronze Eyeball  
 OD: 5 1/16" (129mm)



**Eyeball - 30° Tilt**  
 40W R16  
**998P**=White Eyeball  
**998AC**=Antique Copper Eyeball  
**998PB**=Polished Brass Eyeball  
**998SN**=Satin Nickel Eyeball  
**998TBZ**=Tuscan Bronze Eyeball  
 OD: 5 1/16" (129mm)

OPEN

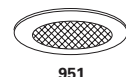


**Metropolitan Ice Light**  
 30W R20  
**945**=Clear Frosted  
**945BLUE**=Blue Frosted  
 OD: 5 5/16" (135mm)



**Metropolitan Deco**  
 35W R20  
**946BC**=Green Tint Rings with Black Chrome Metal Body  
**946PB**=Green Tint Rings with Polished Brass Metal Body  
 OD: 5 5/8" (143mm)

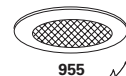
SHOWER LIGHT



**Shower Light, Full Reflector**  
 30W R20, 35W PAR20; 50W PAR20 with H1999 Socket Extender  
**951PS**=Shower Light, White Trim Ring, Glass Lens  
**951ACS**=Shower Light, Antique Copper Trim Ring, Glass Lens  
**951SNS**=Shower Light, Satin Nickel Trim Ring, Glass Lens  
**951TBZS**=Shower Light, Tuscan Bronze Trim Ring, Glass Lens  
 OD: 5 1/16" (129mm)



**Frosted Dome Lens Shower Light, Cone Reflector**  
 30W R20, 35W PAR20; 50W PAR20 with H1999 Socket Extender  
**952PS**=White Trim Ring, Dome Lens Shower Light



**Shower Light, Cone Reflector**  
 30W R20, 35W PAR20  
**955PS**=Shower Light, White Trim Ring, Glass Lens

Accessories



**Socket Extender**  
**H1999**=Socket extender for use with PAR lamps with 993 Coilex Baffle Trim

Note: Specifications and Dimensions subject to change without notice.

Visit our web site at [www.cooperlighting.com](http://www.cooperlighting.com)

**DESCRIPTION**

The H99ICAT is a small aperture IC AIR-TITE™ housing for accent and task lighting. It is designed for use in insulated ceilings where it will be in direct contact with insulation. It is an AIR-TITE™ housing designed to prevent air flow between living spaces and unconditioned areas.

Catalog #	Type
Project	
Comments	
Prepared by	Date

**SPECIFICATION FEATURES**

**Housing**

- Double wall aluminum construction helps dissipate heat. The inner housing can be adjusted in the plaster frame to compensate for different ceiling materials.
- Designed for insulated ceilings in direct contact with insulation. (May also be installed in non-insulated ceilings.)

**Plaster Frame**

- Galvanized steel die-formed construction.
- The inner housing can be removed from plaster frame to provide access to the junction box.
- Plaster frame features include:
  - Patented regressed locking screw positioned for securing hanger bars from below the ceiling.
  - Cutouts for easily crimping hanger bars in position.
  - AIR-TITE aperture gasket is pre-installed.
  - HALO identity embossed on plaster frame

**SLIDE-N-SIDE™ Junction Box**

- Positioned to accommodate straight conduit runs
- Seven 1/2" trade size conduit knockouts with true pry-out slots
- Slide-N-Side wire traps allow non-metallic sheathed cable to be installed without tools and without removing knockouts.
- Accepts a wide range of non-metallic (type NM) sheathed cables - the standard cable

- types used in lighting in both U.S. and Canada.
- Allows wiring connections to be made outside the junction box
  - Simply insert the cable directly into the trap after connections are made.
  - Accommodates the following standard non-metallic sheathed cable sizes: (US) #14/2, #14/3, #12/2, #12/3 (Canada) #14/2, #14/3, #12/2

**"Quick Connect" Connectors**

Three quick connect wiring connectors included.

**GOT NAIL! Pass-N-Thru™ Bar Hangers**

- Pre-installed nail easily installs in regular lumber, engineered lumber and laminated beams.
- Safety and guidance system prevents snagging, ensures smooth straight nail penetration and allows bar hangers to be easily removed if necessary.
- Automatic levelling flange aligns the housing and lets you hold the housing in place with one hand while driving nails.
- Housing can be positioned at any point within 24" joist span.
- Pass-N-Thru™ feature allows bar hangers to be shortened without removing from plaster frame.
- Score lines allow "toolless" shortening for 12" joists.
- Integral T-bar clip snaps onto T-bars - no additional clips required

**Socket**

Fixed position porcelain socket

with nickel plated brass screw shell provides consistent lamp positioning and ease of installation.

**Thermal Protector**

Thermal protector deactivates fixture if overheating occurs due to improper lamping.

**Labels**

- UL/cUL Listed 1598 Luminaire
- UL/cUL Damp Location Listed
- UL/cUL Listed for Wet Location, covered ceiling - with select trims
- UL/cUL Listed for Feed Through
- UL/cUL listed for Direct Contact with insulation and combustible material

**Qualification IC and AIR-TITE™**

Certified under ASTM-E283 and listed UL/cUL 1598. May be used to meet insulated ceiling and restricted air-flow requirements such as:

- Washington State Energy Code
- International Energy Conservation Code (IECC)
- New York State Energy Conservation Construction Code (NY-ECCC)
- State of California Title 24 "Recessed Luminaires in Insulated Ceilings."

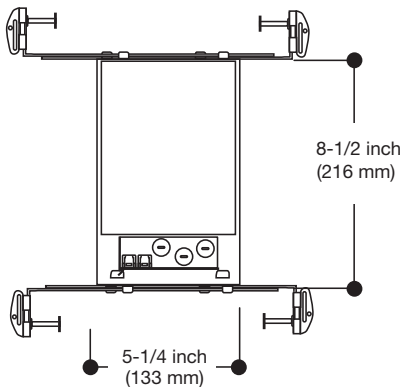
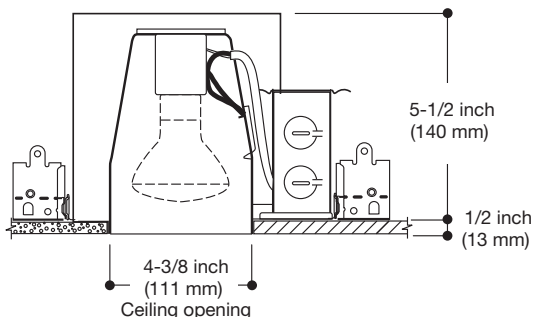


**H99ICAT**

**4" Insulated Ceiling AIR-TITE™ Recessed Housing**

**4" TRIMS**

**FOR USE IN INSULATED CEILINGS**  
**FOR DIRECT CONTACT WITH INSULATION**



TRIMS

ORDERING INFORMATION

SAMPLE NUMBER: H99ICAT-999P

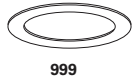
Order housing and trims separately.

Housing

Trims

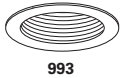
H99ICAT= 4" AIR-TITE™ Insulated Ceiling Small Aperture Housing

REFLECTORS

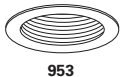


**Reflector Cone**  
40W R16, 50W R20, 50W PAR20  
999P=Specular Clear, White Trim Ring  
999AC=Antique Copper with Antique Copper Trim Ring  
999RG=Residential Gold, white trim ring  
999P=White Reflector, White Trim Ring  
999H=Haze Reflector, White Trim Ring  
999MB=Specular Black Reflector, White Trim Ring  
999SN=Satin Nickel Reflector with Satin Nickel Trim Ring  
999TBZ=Tuscan Bronze Reflector with Tuscan Bronze Trim Ring  
OD: 5 1/16" (129mm)

BAFFLES



**Coilex Baffle with Die Cast Trim Ring**  
30W R20, 35W PAR20, 50W PAR20 with H1999 Socket Extender  
993P=Black Baffle with White Trim Ring  
993AC=Black Baffle with Antique Copper Trim Ring  
993PB=Black Baffle with Polished Brass Trim Ring  
993W=White Baffle with White Trim Ring  
993SN=Black Baffle with Satin Nickel Trim Ring  
993TBZ=Black Baffle with Tuscan Bronze Trim Ring  
OD: 5 1/16" (129mm)



**Metal Baffle with Die Cast Trim Ring**  
30W R20, 35W PAR20; 50W PAR20 with H1999 Socket Extender  
953P=Black Baffle with White Trim Ring  
953W=White Baffle with White Trim Ring  
953AC=Antique Copper Baffle with Antique Copper Trim Ring  
953SN=Satin Nickel Baffle with Satin Nickel Trim Ring  
953TBZ=Tuscan Bronze Baffle with Tuscan Bronze Trim Ring  
OD: 5 1/16" (129mm)



**Full Cone Metal Baffle**  
40W A19, (50W R20 - ERT413WHT only), 45W R20, 50W PAR 20  
ERT413WHT=High Gloss Appliance White Trim Ring with White Baffle  
ERT413=High Gloss Appliance White Trim Ring with Black Baffle  
OD: 5 1/16" (129mm)

ADJUSTABLES



**Eyeball - 15° Tilt**  
50W PAR20  
996P=White Eyeball  
996AC=Antique Copper Eyeball  
996SN=Satin Nickel Eyeball  
996TBZ=Tuscan Bronze Eyeball  
OD: 5 1/16" (129mm)



**Eyeball - 30° Tilt**  
40W R16  
998P=White Eyeball  
998AC=Antique Copper Eyeball  
998PB=Polished Brass Eyeball  
998SN=Satin Nickel Eyeball  
998TBZ=Tuscan Bronze Eyeball  
OD: 5 1/16" (129mm)

OPEN

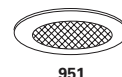


**Metropolitan Ice Light**  
30W R20  
945=Clear Frosted  
945BLUE=Blue Frosted  
OD: 5 5/16" (135mm)



**Metropolitan Deco**  
35W R20  
946BC=Green Tint Rings with Black Chrome Metal Body  
946PB=Green Tint Rings with Polished Brass Metal Body  
OD: 5 5/8" (143mm)

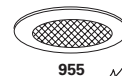
SHOWER LIGHT



**Shower Light, Full Reflector**  
30W R20, 35W PAR20; 50W PAR20 with H1999 Socket Extender  
951PS=Shower Light, White Trim Ring, Glass Lens  
951ACS=Shower Light, Antique Copper Trim Ring, Glass Lens  
951SNS=Shower Light, Satin Nickel Trim Ring, Glass Lens  
951TBZS=Shower Light, Tuscan Bronze Trim Ring, Glass Lens  
OD: 5 1/16" (129mm)



**Frosted Dome Lens Shower Light, Cone Reflector**  
30W R20, 35W PAR20; 50W PAR20 with H1999 Socket Extender  
952PS=White Trim Ring, Dome Lens Shower Light



**Shower Light, Cone Reflector**  
30W R20, 35W PAR20  
955PS=Shower Light, White Trim Ring, Glass Lens

Accessories



**Socket Extender**  
H1999=Socket extender for use with PAR lamps with 993 Coilex Baffle Trim

Note: Specifications and Dimensions subject to change without notice.

Visit our web site at [www.cooperlighting.com](http://www.cooperlighting.com)