

**DESCRIPTION**

Designed for sloped ceiling installations for ceilings from 2/12 to 12/12 pitch. The socket aiming mechanism allows the lamp to be aimed straight down regardless of ceiling pitch. H6451C is sealed and gasketed to limit airflow between plenum and heated or air conditioned areas.

Catalog #	Type
Project	
Comments	
Prepared by	Date

**SPECIFICATION FEATURES**

**A...Reflector/Baffle**

Round aperture matches other recessed downlights and provides a clean finished look.

**B...Trim Ring**

Aluminum Trim Ring

**C...Housing**

Aluminum single wall housing.

**D...Junction Box**

Junction Box is UL listed for through branch circuit wiring and has seven 1/2" knockouts with true pry-out slots and four Romex pry-outs slots with integral strain relief.

**E...GOT NAIL! Pass-N-Thru™ Bar Hangers**

Bar Hanger Features include:

- Pre-installed nail easily installs in regular lumber, engineered lumber and laminated beams
- Safety and guidance system prevents snagging, ensures smooth straight nail penetration and allows bar hangers to be easily removed if necessary.

- Automatic levelling flange aligns the housing and lets you hold the housing in place with one hand while driving nails
- Housing can be positioned at any point within 24" joist span
- Score lines allow "toolless" shortening for 12" joists
- Bar hangers may be repositioned 90°
- Bar hangers do not need to be removed from frame for shortening
- Integral T-bar clips snaps onto T-bars - no additional clips required

**F...Socket**

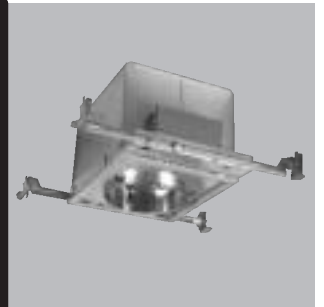
Exclusive socket aiming mechanism swivels and rotates to properly align lamp. Lamp socket and trim can be adjusted 20° laterally for compound slope ceiling or to compensate for off axis aiming. Socket plug provides protection against paint overspray.

**G...Integral Thermal Protector**

Integral thermal protector guards against improper lamping.

**Labels**

- UL Listed for Damp Location
  - UL listed for Feed Through
  - UL listed for Direct Contact with Insulation and combustible material
  - CSA Certified
- Meets following requirements:
- State of California Title 24
  - Washington State Energy Code
  - International Energy Conservation Code (IECC)
  - New York State Energy Conservation Construction Code
  - Certified Under ASTM-E283



**H6451C**

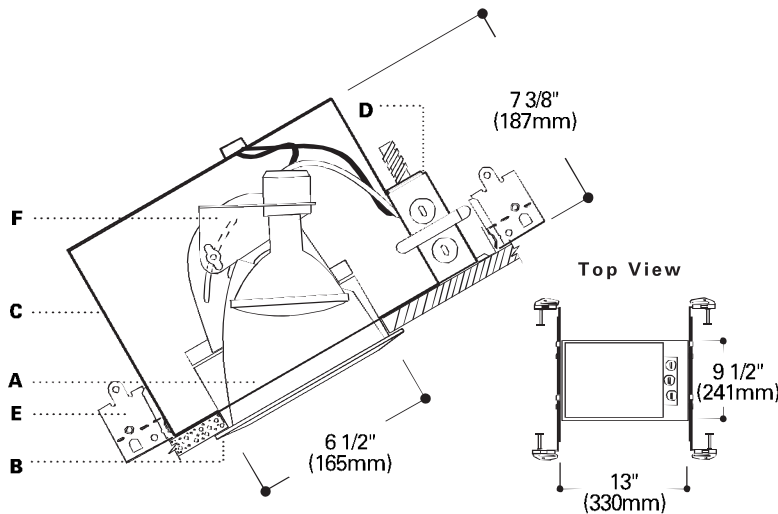
**P A R 3 0 L , R 3 0 ,  
B R 3 0**  
**ALLSLOPE  
IC  
AIR-TITE HOUSING**

**FOR INSULATED  
SLOPED CEILINGS  
AND DIRECT  
CONTACT WITH  
INSULATION**

**AIR-TITE HOUSING  
PREVENTS AIRFLOW  
BETWEEN ATTIC AND  
LIVING AREAS**



with all trims listed










**ORDERING INFORMATION SAMPLE NUMBER: H6451C455SC**

Complete unit consists of housing and trim.

**Housing**

H6451C=7" Allslope IC AIR-TITE Housing

**Trims**

	<p><b>Specular Reflector</b>  <b>75W PAR30L, 75WR30, 65W BR30</b>                      455SC=Specular Clear                      455CG=Champagne Gold                      OD: 7 1/4" (184mm)</p>		<p><b>Baffle Eyeball - 30° Tilt</b>  <b>75W R30, 65W BR30</b>                      417P=Black Baffle, White Eyeball and Ring                      417PB=Black Baffle, Brass Eyeball and Ring                      417W=White Baffle, White Eyeball and Ring                      OD: 8 "(203mm)</p>
	<p><b>Black Coilex Baffle</b>  <b>50W PAR30L, 60W BR30</b>                      456P=Black Baffle, White Trim                      Ring                      OD: 7 1/4" (184mm)</p>		<p><b>Eyeball - 30° Tilt</b>  <b>65W BR30, 75W R30, 75W PAR30L</b>                      78P=White Eyeball and Ring                      78B=Brass Eyeball and Ring                      78PB=Polished Brass Eyeball and Ring                      OD: 8 "(203mm)</p>
	<p><b>White Coilex Baffle</b>  <b>50W PAR30L, 65W BR30</b>  <b>75W PAR30L (with H1999 Socket Extender)</b>                      456W=White Baffle, White Trim                      Ring                      OD: 7 1/4" (184mm)</p>		<p><b>Albalite Lens</b>  <b>60W A19</b>                      170PS=Albalite Lens, White Ring                      OD: 8 "(203mm)</p>
			<p><b>Eyeball - 30° Tilt</b>  <b>75W PAR30</b>                      74P=White Eyeball, White Ring                      OD: 8 "(203mm)</p>

Note: Specifications and Dimensions subject to change without notice.

Visit our web site at [www.cooperlighting.com](http://www.cooperlighting.com)

**DESCRIPTION**

Designed for sloped ceiling installations for ceilings from 2/12 to 12/12 pitch. The socket aiming mechanism allows the lamp to be aimed straight down regardless of ceiling pitch. H6451C is sealed and gasketed to limit airflow between plenum and heated or air conditioned areas.

Catalog #	Type
Project	
Comments	
Prepared by	Date

**SPECIFICATION FEATURES**

**A...Reflector/Baffle**

Round aperture matches other recessed downlights and provides a clean finished look.

**B...Trim Ring**

Aluminum Trim Ring

**C...Housing**

Aluminum single wall housing.

**D...Junction Box**

Junction Box is UL listed for through branch circuit wiring and has seven 1/2" knockouts with true pry-out slots and four Romex pry-outs slots with integral strain relief.

**E...GOT NAIL! Pass-N-Thru™ Bar Hangers**

Bar Hanger Features include:

- Pre-installed nail easily installs in regular lumber, engineered lumber and laminated beams
- Safety and guidance system prevents snagging, ensures smooth straight nail penetration and allows bar hangers to be easily removed if necessary.

- Automatic levelling flange aligns the housing and lets you hold the housing in place with one hand while driving nails
- Housing can be positioned at any point within 24" joist span
- Score lines allow "toolless" shortening for 12" joists
- Bar hangers may be repositioned 90°
- Bar hangers do not need to be removed from frame for shortening
- Integral T-bar clips snaps onto T-bars - no additional clips required

**F...Socket**

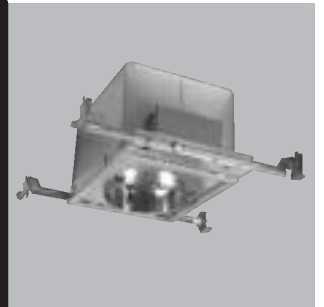
Exclusive socket aiming mechanism swivels and rotates to properly align lamp. Lamp socket and trim can be adjusted 20° laterally for compound slope ceiling or to compensate for off axis aiming. Socket plug provides protection against paint overspray.

**G...Integral Thermal Protector**

Integral thermal protector guards against improper lamping.

**Labels**

- UL Listed for Damp Location
  - UL listed for Feed Through
  - UL listed for Direct Contact with Insulation and combustible material
  - CSA Certified
- Meets following requirements:
- State of California Title 24
  - Washington State Energy Code
  - International Energy Conservation Code (IECC)
  - New York State Energy Conservation Construction Code
  - Certified Under ASTM-E283



**H6451C**

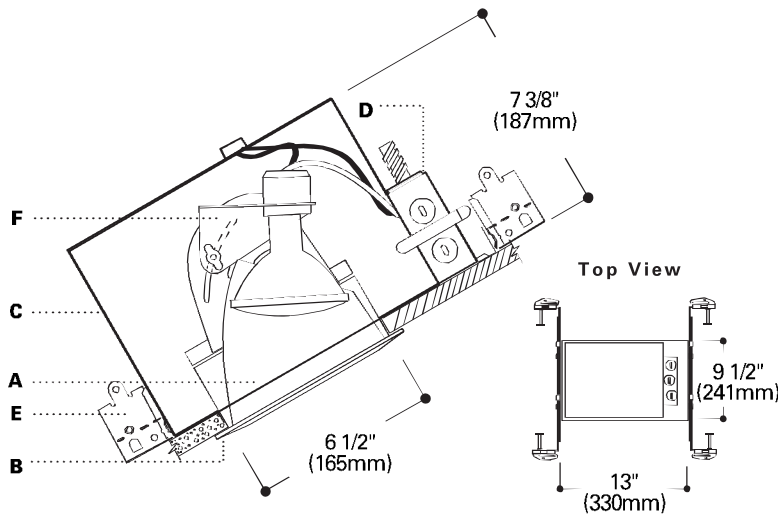
**P A R 3 0 L , R 3 0 ,  
B R 3 0**  
**ALLSLOPE  
IC  
AIR-TITE HOUSING**

**FOR INSULATED  
SLOPED CEILINGS  
AND DIRECT  
CONTACT WITH  
INSULATION**

**AIR-TITE HOUSING  
PREVENTS AIRFLOW  
BETWEEN ATTIC AND  
LIVING AREAS**



with all trims listed










**ORDERING INFORMATION SAMPLE NUMBER: H6451C455SC**

Complete unit consists of housing and trim.

**Housing**

H6451C=7" Allslope IC AIR-TITE Housing

**Trims**

	<p><b>Specular Reflector</b>  <b>75W PAR30L, 75WR30, 65W BR30</b>                      455SC=Specular Clear                      455CG=Champagne Gold                      OD: 7 1/4" (184mm)</p>		<p><b>Baffle Eyeball - 30° Tilt</b>  <b>75W R30, 65W BR30</b>                      417P=Black Baffle, White Eyeball and Ring                      417PB=Black Baffle, Brass Eyeball and Ring                      417W=White Baffle, White Eyeball and Ring                      OD: 8 "(203mm)</p>
	<p><b>Black Coilex Baffle</b>  <b>50W PAR30L, 60W BR30</b>                      456P=Black Baffle, White Trim                      Ring                      OD: 7 1/4" (184mm)</p>		<p><b>Eyeball - 30° Tilt</b>  <b>65W BR30, 75W R30, 75W PAR30L</b>                      78P=White Eyeball and Ring                      78B=Brass Eyeball and Ring                      78PB=Polished Brass Eyeball and Ring                      OD: 8 "(203mm)</p>
	<p><b>White Coilex Baffle</b>  <b>50W PAR30L, 65W BR30</b>  <b>75W PAR30L (with H1999 Socket Extender)</b>                      456W=White Baffle, White Trim                      Ring                      OD: 7 1/4" (184mm)</p>		<p><b>Albalite Lens</b>  <b>60W A19</b>                      170PS=Albalite Lens, White Ring                      OD: 8 "(203mm)</p>
			<p><b>Eyeball - 30° Tilt</b>  <b>75W PAR30</b>                      74P=White Eyeball, White Ring                      OD: 8 "(203mm)</p>

Note: Specifications and Dimensions subject to change without notice.

Visit our web site at [www.cooperlighting.com](http://www.cooperlighting.com)