

DESCRIPTION

Designed for sloped ceiling installations for ceilings from 2/12 to 6/12 pitch. The socket aiming mechanism allows the lamp to be aimed straight down regardless of ceiling pitch. H47ICAT is sealed and gasketed to limit airflow between plenum and heated or air conditioned areas.

Catalog #	Type
Project	
Comments	
Prepared by	Date

SPECIFICATION FEATURES

A...Baffle

One piece seamless baffle presents a clean finished appearance.

B...Trim Ring

White Polycarbonate trim ring.

C...Housing

Double wall housing construction. Door in outer housing allows junction box access from below ceiling.

D...Junction Box

Junction box is listed for through branch circuit wiring and has seven 1/2" knockouts with true pry-out slots.

E...GOT NAIL! Pass-N-Thru™ Bar Hangers

Bar Hanger Features include:

- Pre-installed nail easily installs in regular lumber, engineered lumber and laminated beams
- Safety and guidance system prevents snagging, ensures smooth straight nail penetration and allows bar hangers to be easily removed if necessary.
- Automatic levelling flange aligns the housing and lets you hold the housing in place with one hand while driving nails
- Housing can be positioned at any point within 24" joist span
- Score lines allow "toeless" shortening for 12" joists
- Bar hangers may be repositioned 90°
- Bar hangers do not need to be removed from frame for shortening

- Integral T-bar clips snaps onto T-bars - no additional clips required

F...Socket

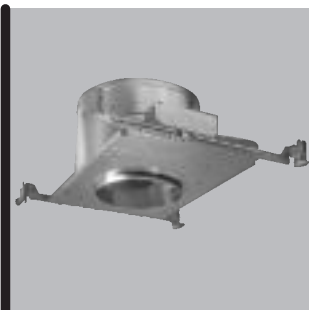
Exclusive socket aiming mechanism swivels and rotates to properly align lamp. Slope indicator provides quick and consistent lamp settings (factory set for 3/12 slope).

G...Integral Thermal Protector

Integral thermal protector guards against improper lamping.

Labels

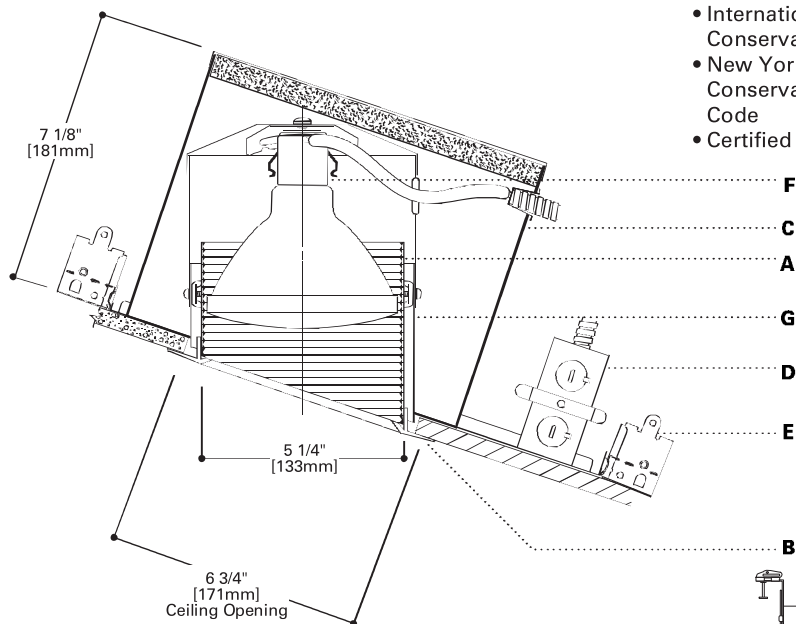
- UL Listed for Damp Location
 - UL listed for Feed Through
 - UL listed for Direct Contact with Insulation and combustible material
 - CSA Certified
- Meets following requirements:
- State of California Title 24
 - Washington State Energy Code
 - International Energy Conservation Code (IECC)
 - New York State Energy Conservation Construction Code
 - Certified Under ASTM-E283



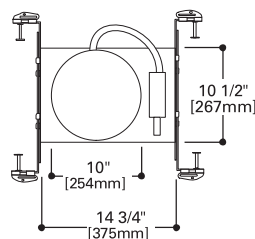
H47ICAT

2 0 W 1 2 V M R 1 6
 7 5 W R 3 0
 7 5 W A 1 9
 9 0 W P A R 3 8
 1 0 0 W R 3 0

6" RECESSED
 INCANDESCENT
 DOWNLIGHT



B Top View



TRIMS

ORDERING INFORMATION

SAMPLE NUMBER: H47ICAT498P

Complete unit consists of housing and trim.

Housing

H47ICAT=6" AIR-TITE IC
Slope Ceiling Housing

Trims



BAFFLES



Coilex Baffle
90W PAR38
 498P=Black
 498W=White
 OD: 7 7/8" (200mm)



Coilex Baffle with Reflector
75W A19
 496P=Black
 496W=White
 OD: 7 7/8" (200mm)



ADJUSTABLES
Coilex Baffle Eyeball
75W R30, 65W BR30
 417P=Black
 417PB=Polished Brass
 417W=White
 OD: 8" (203mm)



Eyeball-30° Tilt
100W R30, 85W BR30
 78P=Satin White
 78B=Brass
 78PB=Polished Brass
 78PAT=White Air-Tite
 OD: 8" (203mm)



Baffle Eyeball
20W 12V MR16
 1417P=Black Baffle, White Eyeball, White Trim Ring
 1417W=White Baffle, White Eyeball, White Trim Ring
 OD: 8" (203mm)



Lensed Shower Light
60W A19
 170PS=Glass Lens, White Trim Ring wet location
 Listed
 OD: 8" (203mm)

Note: Specifications and Dimensions subject to change without notice.

Visit our web site at www.cooperlighting.com

DESCRIPTION

Designed for sloped ceiling installations for ceilings from 2/12 to 6/12 pitch. The socket aiming mechanism allows the lamp to be aimed straight down regardless of ceiling pitch. H47ICAT is sealed and gasketed to limit airflow between plenum and heated or air conditioned areas.

Catalog #	Type
Project	
Comments	
Prepared by	Date

SPECIFICATION FEATURES

A...Baffle

One piece seamless baffle presents a clean finished appearance.

B...Trim Ring

White Polycarbonate trim ring.

C...Housing

Double wall housing construction. Door in outer housing allows junction box access from below ceiling.

D...Junction Box

Junction box is listed for through branch circuit wiring and has seven 1/2" knockouts with true pry-out slots.

E...GOT NAIL! Pass-N-Thru™ Bar Hangers

Bar Hanger Features include:

- Pre-installed nail easily installs in regular lumber, engineered lumber and laminated beams
- Safety and guidance system prevents snagging, ensures smooth straight nail penetration and allows bar hangers to be easily removed if necessary.
- Automatic levelling flange aligns the housing and lets you hold the housing in place with one hand while driving nails
- Housing can be positioned at any point within 24" joist span
- Score lines allow "toeless" shortening for 12" joists
- Bar hangers may be repositioned 90°
- Bar hangers do not need to be removed from frame for shortening

- Integral T-bar clips snaps onto T-bars - no additional clips required

F...Socket

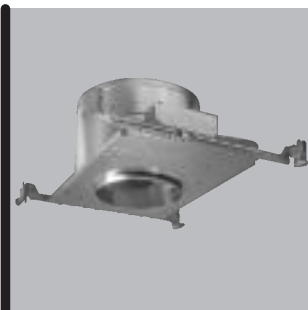
Exclusive socket aiming mechanism swivels and rotates to properly align lamp. Slope indicator provides quick and consistent lamp settings (factory set for 3/12 slope).

G...Integral Thermal Protector

Integral thermal protector guards against improper lamping.

Labels

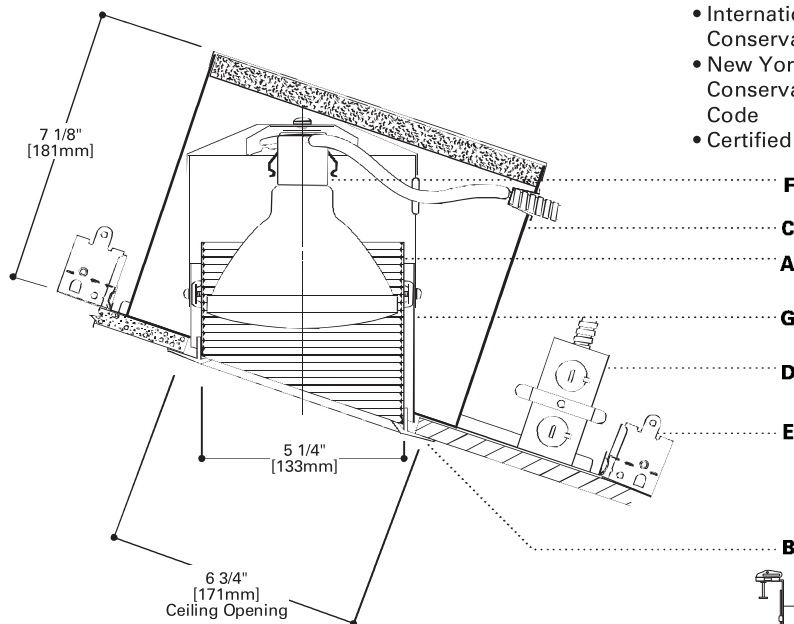
- UL Listed for Damp Location
 - UL listed for Feed Through
 - UL listed for Direct Contact with Insulation and combustible material
 - CSA Certified
- Meets following requirements:
- State of California Title 24
 - Washington State Energy Code
 - International Energy Conservation Code (IECC)
 - New York State Energy Conservation Construction Code
 - Certified Under ASTM-E283



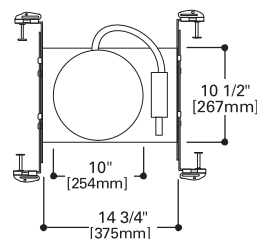
H47ICAT

2 0 W 1 2 V M R 1 6
 7 5 W R 3 0
 7 5 W A 1 9
 9 0 W P A R 3 8
 1 0 0 W R 3 0

6" RECESSED
 INCANDESCENT
 DOWNLIGHT



B Top View



TRIMS

ORDERING INFORMATION

SAMPLE NUMBER: H47ICAT498P

Complete unit consists of housing and trim.

Housing

H47ICAT=6" AIR-TITE IC
Slope Ceiling Housing

Trims

**BAFFLES**

Coilex Baffle
90W PAR38
 498P=Black
 498W=White
 OD: 7 7/8" (200mm)



Coilex Baffle with Reflector
75W A19
 496P=Black
 496W=White
 OD: 7 7/8" (200mm)

**ADJUSTABLES**

Coilex Baffle Eyeball
75W R30, 65W BR30
 417P=Black
 417PB=Polished Brass
 417W=White
 OD: 8" (203mm)



Eyeball-30° Tilt
100W R30, 85W BR30
 78P=Satin White
 78B=Brass
 78PB=Polished Brass
 78PAT=White Air-Tite
 OD: 8" (203mm)



Baffle Eyeball
20W 12V MR16
 1417P=Black Baffle, White Eyeball, White Trim Ring
 1417W=White Baffle, White Eyeball, White Trim Ring
 OD: 8" (203mm)



Lensed Shower Light
60W A19
 170PS=Glass Lens, White Trim Ring wet location
 Listed
 OD: 8" (203mm)

Note: Specifications and Dimensions subject to change without notice.

Visit our web site at www.cooperlighting.com