

## Class H(K) and R Fuse Blocks – 250V

### H250 & R250 Series

#### Specifications

#### Descriptions:

H250 Series: 1-, 2- and 3-pole fuse blocks for use with Class H fuses.

R250 Series: 1-, 2- and 3-pole fuse blocks for use with Class R fuses (Cooper Bussmann LPN-RK and FRN-R, DLN-R and KTN-R fuses).



Dimensions: See Dimensions illustrations.

#### Ratings:

Volts: — 250Vac/dc (H250 & R250 Series)

Amps: — 1/10-600A

SCCR: — H250 Series; 10kA RMS Sym.

— R250 Series; 200kA RMS Sym.

Agency Information: CE, UL Listed UL 4248, Guide IZLT, File E14853; CSA Certified, Class 6225-01, File 47235.  
Flammability Rating: UL 94V0.

#### Features and Benefits

- H250 fuse blocks provide one, two and three pole housing for Class H, K and R fuses at 250Vac.
- H250 fuse blocks are listed with a Short-Circuit Current Rating of 10kA RMS Sym.
- R250 fuse blocks provide one, two and three pole housing for Class R fuses at 250Vac.
- R250 fuse blocks are listed with a Short-Circuit Current Rating of 200kA RMS Sym.

#### Typical Applications

- 250Vac/dc or less Control Systems
- 250Vac/dc or less Industrial Control
- 250Vac/dc or less Industrial Control Circuits

Recommended DIN rail adapters for the 1/10-30A series  
• see page 413.

### Class H Fuseblocks (250V) Catalog Data (for NON and REN Fuses)

| Amps       | Poles | Terminal Type (Suffix No.) |   |                             |                |  |            |                             |             |                     |    | Figure Number   | Wire Range |
|------------|-------|----------------------------|---|-----------------------------|----------------|--|------------|-----------------------------|-------------|---------------------|----|---|------------|
|            |       | Screw                      |   |                             |                |  | Box Lug w/ |                             |             |                     |    |   |            |
|            |       | Catalog Number             | — | Clip with Reinforced Spring | Pressure Plate | Pressure Plate & Clip with Reinforced Spring | —          | Clip with Reinforced Spring | Copper Only | 0.25" Quick Connect |    |   |            |
| 1/10 to 30 | 1     | H25030-1                   | S | SR                          | P              | PR   | C          | CR                          | —           | Q                   | 1  | C, CR #2-14 Cu, #2-12 Al<br>P, PR #10-18 Cu Only<br>Q N/A<br>S, SR #10-18 Cu Only |            |
|            | 2     | H25030-2                   | S | SR                          | P              | PR   | C          | CR                          | —           | —                   | 2  |   |            |
|            | 3     | H25030-3                   | S | SR                          | P              | PR   | C          | CR                          | —           | —                   | 3  |   |            |
| 31 to 60   | 1     | H25060-1                   | — | —                           | —              | —  | C          | CR                          | CO          | —                   | 4  | C, CR #2-14 Cu, #2-8 Al<br>CO #2-14 Cu Only                                       |            |
|            | 2     | H25060-2                   | — | —                           | —              | —  | C          | CR                          | CO          | —                   | 5  |   |            |
|            | 3     | H25060-3                   | — | —                           | —              | —  | C          | CR                          | CO          | —                   | 6  |   |            |
| 61 to 100  | 1     | H25100-1                   | — | SR                          | —              | —  | —          | CR                          | —           | —                   | 7  | CR #1/0-8 Cu/Al<br>SR #8W/ Ring Terminal  |            |
|            | 2     | H25100-2                   | — | SR                          | —              | —  | —          | CR                          | —           | —                   | 8  |   |            |
|            | 3     | H25100-3                   | — | SR                          | —              | —  | —          | CR                          | —           | —                   | 9  |   |            |
| 101 to 200 | 1     | H25200-1                   | — | —                           | —              | —  | —          | CR                          | —           | —                   | 10 | CR 250kcmil-6 Cu/Al   |            |
|            | 3     | H25200-3                   | — | —                           | —              | —  | —          | CR                          | —           | —                   | 11 |   |            |
| 201 to 400 | 1     | H25400-1                   | — | —                           | —              | —  | —          | CR†                         | —           | —                   | 12 | CR 500kcmil-4 Cu/Al   |            |
|            | 3     | H25400-3                   | — | —                           | —              | —  | —          | CR†                         | —           | —                   | 13 |   |            |
| 401 to 600 | 1     | H25600-1                   | — | —                           | —              | —  | —          | CR                          | —           | —                   | 14 | CR (2) 500kcmil-4/0 Cu/Al   |            |
|            | 3     | H25600-3                   | — | —                           | —              | —  | —          | CR†                         | —           | —                   | 15 |   |            |

\*UL Recognized, No CSA Certification.

†No UL, No CSA Certification.

## Class H(K) and R Fuse Blocks – 250V

Class R Fuseblocks (250V) Catalog Data (for LPN-RK, FRN-R, DLN-R and KTN-R Fuses)

| Amps       | Poles | Catalog Number | Terminal Type (Suffix No.) |             |            |              |                     | Fig. No. | Wire Range                                       |
|------------|-------|----------------|----------------------------|-------------|------------|--------------|---------------------|----------|--|
|            |       |                | Screw w/                   |             | Box Lug w/ |              | 0.25" Quick-Connect |          |  |
|            |       |                | —                          | Pres. Plate | —          | Clip Cu Only |                     |          |  |
| 1/10 to 30 | 1     | R25030-1       | SR                         | PR          | CR         | COR          | QR*                 | 1        | COR #6-14 Cu Only                                |
|            | 2     | R25030-2       | SR                         | PR          | CR         | COR          | —                   | 2        | CR #2-14 Cu, #2-12 Al                            |
|            | 3     | R25030-3       | SR                         | PR          | CR         | COR          | —                   | 3        | PR #10-18 Cu Only<br>QR N/A<br>SR #10-18 Cu Only |
| 31 to 60   | 1     | R25060-1       | —                          | —           | CR         | —            | —                   | 4        | CR #2-14 Cu, #2-8 Al                             |
|            | 2     | R25060-2       | —                          | —           | CR         | —            | —                   | 5        |  |
|            | 3     | R25060-3       | —                          | —           | CR         | —            | —                   | 6        |  |
| 61 to 100  | 1     | R25100-1       | —                          | —           | CR         | —            | —                   | 7        | CR 1/0-8 Cu/Al                                   |
|            | 2     | R25100-2       | —                          | —           | CR         | —            | —                   | 8        |  |
|            | 3     | R25100-3       | —                          | —           | CR         | —            | —                   | 9        |  |
| 101 to 200 | 1     | R25200-1       | —                          | —           | CR         | —            | —                   | 10       | CR 250kcmil-6 Cu/Al                              |
|            | 2     | R25200-2       | —                          | —           | CR         | —            | —                   | 11       |  |
|            | 3     | R25200-3       | —                          | —           | CR         | —            | —                   | 11       |  |
| 201 to 400 | 1     | R25400-1       | —                          | —           | CR†        | —            | —                   | 12       | CR 500kcmil-4/0 Cu/Al                            |
|            | 3     | R25400-3       | —                          | —           | CR†        | —            | —                   | 13       |  |
| 401 to 600 | 1     | R25600-1       | —                          | —           | CR         | —            | —                   | 14       | CR 500kcmil-4/0 Cu/Al                            |
|            | 3     | R25600-3       | —                          | —           | CR†        | —            | —                   | 15       |  |

\*UL Recognized, No CSA Certification.

†No UL, No CSA Certification.

‡UL Recognized, CSA Certification

### Dimensions – in 250V 1/10 to 30A

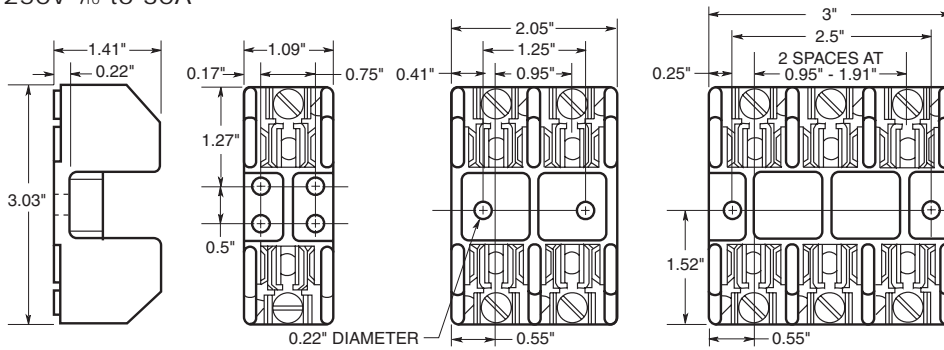


FIGURE 1.

FIGURE 2.

FIGURE 3.

### 250V, 31A to 60A

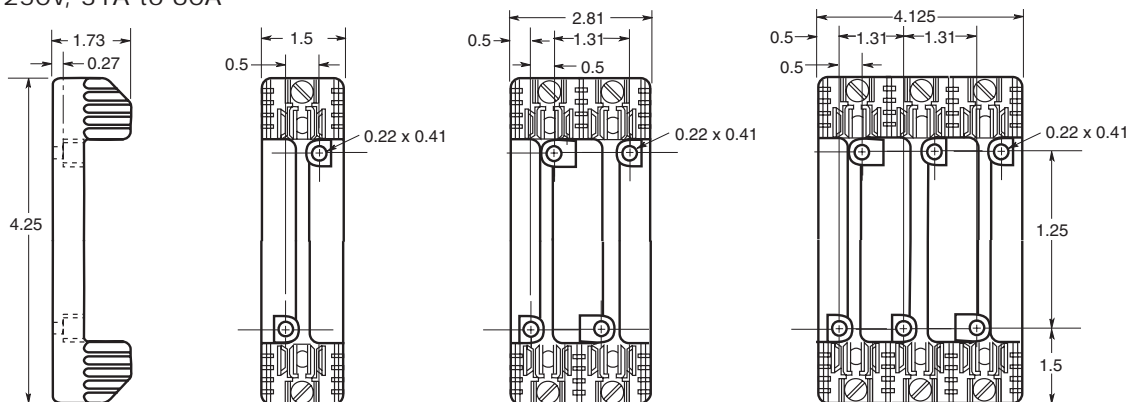


FIGURE 4.

FIGURE 5.

FIGURE 6.

Data Sheet: H250 Series, 1112; R250 Series, 1110

For product data sheets, visit [www.cooperbussmann.com/datasheets/ulcsa](http://www.cooperbussmann.com/datasheets/ulcsa)

# Class H(K) and R Fuse Blocks – 250V

250V, 61A to 100A

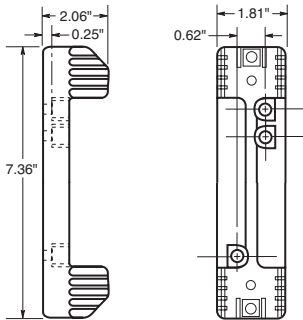


FIGURE 7.

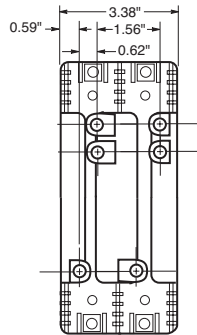


FIGURE 8.

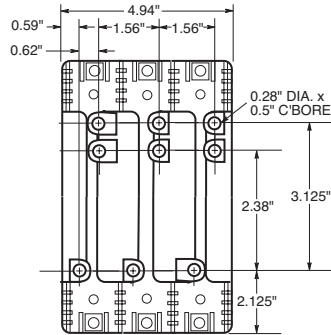


FIGURE 9.

250V, 101A to 200A

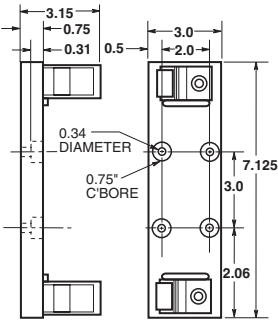


FIGURE 10.

250V, 101A to 200A

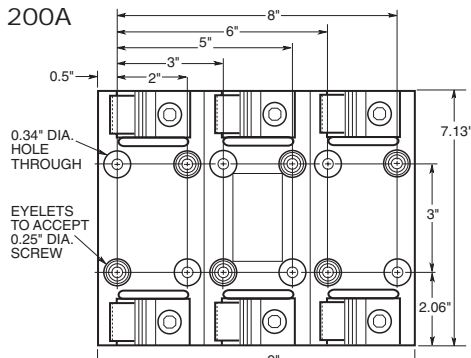
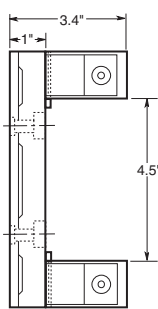


FIGURE 11.

250V, 201A to 400A

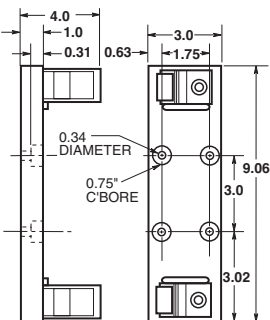


FIGURE 12.

250V, 201A to 400A

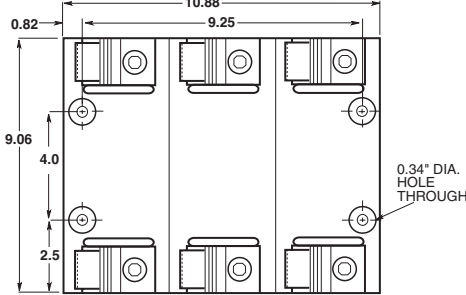
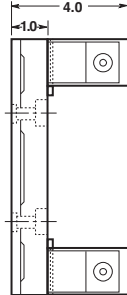


FIGURE 13.

250V, 401A to 600A

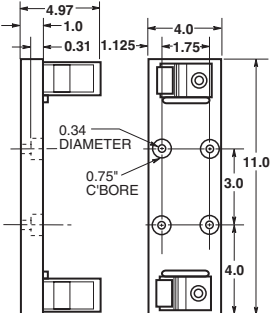


FIGURE 14.

250V, 401A to 600A

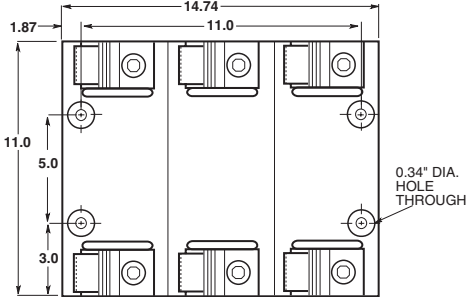
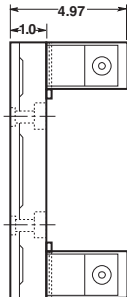


FIGURE 15.