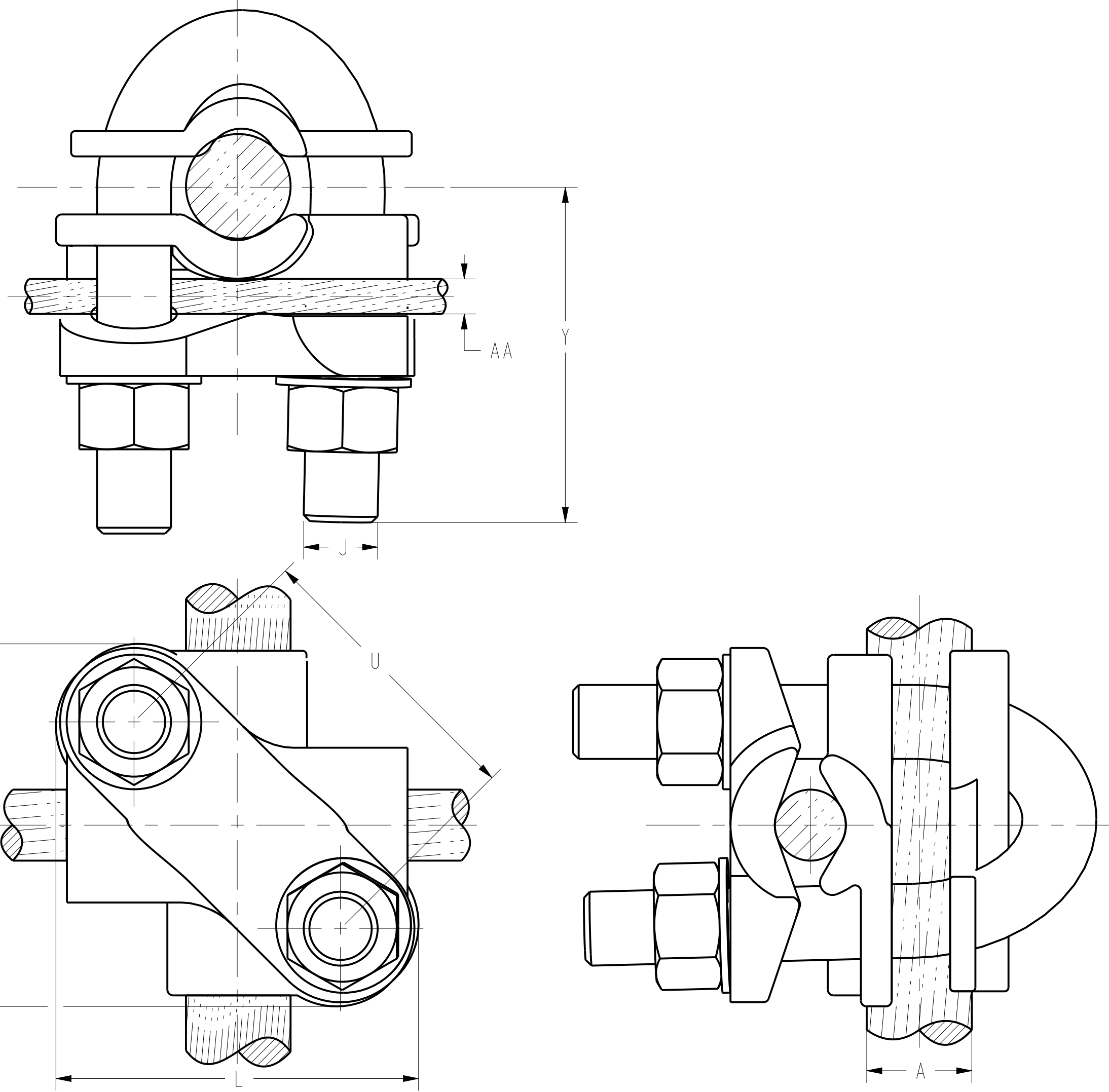


REV	DATE	DESCRIPTION	ECO	BY	CHK.
B	12/02/2014 00:00:00 AM	LOGO UPDATE	38554	AS	MB

CONDUCTOR RANGE ACCOMMODATED

D	ROD ACCOMMODATED (A OR A-A)		'A'								'AA'								CATALOG NO.	J		L		U		W		Y		"U" BOLT		TORQUE		D
	NOMINAL DIAMETER (in)	ACTUAL DIAMETER (in) (mm)	AWG				METRIC WIRE SIZE				AWG				METRIC WIRE SIZE					(in)	[mm]	(in)	[mm]	(in)	[mm]	(in)	[mm]	(in)	[mm]	Lb*in	N*m			
			MIN SIZE	MAX DIA	MIN SIZE	MAX DIA	MIN SIZE	MAX DIA	MIN SIZE	MAX DIA	MIN SIZE	MAX DIA	MIN SIZE	MAX DIA																				
3/8	0.375	[9.5]	8 SOL	0.129	4 STR	0.231	10mm ² SOL	3.6	16mm ² STR	5.1	8 SOL	0.129	4 STR	0.231	10mm ² SOL	3.6	16mm ² STR	5.1	GX4C4C	3/8	[10]	1.62	[41]	1.12	[28]	1.62	[41]	1.12	[28]	327	240	27.0		
3/8	0.375	[9.5]	4 SOL	0.204	2/0 STR	0.418	25mm ² STR	6.5	50mm ² STR	9.3	8 SOL	0.129	4 STR	0.231	10mm ² SOL	3.6	16mm ² STR	5.1	GX264C	3/8	[10]	1.69	[43]	1.25	[32]	1.69	[43]	1.62	[41]	354	240	27.0		
3/8	0.375	[9.5]	4 SOL	0.204	2/0 STR	0.418	25mm ² STR	6.5	50mm ² STR	9.3	4 SOL	0.204	2/0 STR	0.418	25mm ² STR	6.5	50mm ² STR	9.3	GX2626	3/8	[10]	1.69	[43]	1.25	[32]	1.69	[43]	1.62	[41]	354	240	27.0		
1/2	0.500	[12.7]	2/0 SOL	0.365	250 kcmil	0.575	70mm ² STR	10.9	120mm ² STR	14.4	8 SOL	0.129	4 STR	0.231	10mm ² SOL	3.6	16mm ² STR	5.1	GX294C	3/8	[10]	1.88	[48]	1.5	[38]	1.88	[48]	1.75	[44]	222	240	27.0		
1/2	0.500	[12.7]	2/0 SOL	0.365	250 kcmil	0.575	70mm ² STR	10.9	120mm ² STR	14.4	4 SOL	0.204	2/0 STR	0.418	25mm ² STR	6.5	50mm ² STR	9.3	GX2926	3/8	[10]	1.88	[48]	1.5	[38]	1.88	[48]	1.75	[44]	222	240	27.0		
1/2	0.500	[12.7]	2/0 SOL	0.365	250 kcmil	0.575	70mm ² STR	10.9	120mm ² STR	14.4	2/0 SOL	0.365	250 kcmil	0.575	70mm ² STR	10.9	120mm ² STR	14.4	GX2929	3/8	[10]	1.88	[48]	1.5	[38]	1.88	[48]	1.75	[44]	222	240	27.0		
3/4	0.750	[19.1]	300 kcmil	0.630	500 kcmil	0.814	150mm ² STR	16	240mm ² STR	20.3	8 SOL	0.814	4 STR	0.231	10mm ² SOL	3.6	16mm ² STR	5.1	GX344C	3/8	[10]	2.12	[54]	1.69	[43]	1.88	[48]	1.75	[44]	357	240	27.0		
3/4	0.750	[19.1]	300 kcmil	0.630	500 kcmil	0.814	150mm ² STR	16	240mm ² STR	20.3	4 SOL	0.204	2/0 STR	0.418	25mm ² STR	6.5	50mm ² STR	9.3	GX3426	3/8	[10]	2.12	[54]	1.69	[43]	1.88	[48]	1.75	[44]	357	240	27.0		
3/4	0.750	[19.1]	300 kcmil	0.630	500 kcmil	0.814	150mm ² STR	16	240mm ² STR	20.3	2/0 SOL	0.365	250 kcmil	0.575	70mm ² STR	10.9	120mm ² STR	14.4	GX3429	3/8	[10]	2.12	[54]	1.69	[43]	1.88	[48]	1.75	[44]	357	240	27.0		
3/4	0.750	[19.1]	300 kcmil	0.630	500 kcmil	0.814	150mm ² STR	16	240mm ² STR	20.3	300 kcmil	0.630	500 kcmil	0.814	150mm ² STR	16	240mm ² STR	20.3	GX3434	1/2	[13]	2.62	[67]	2.22	[56]	2.62	[67]	2.81	[71]	256	480	54.1		
1	1.000	[25.4]	550 kcmil	0.855	750 kcmil	0.998	300mm ² STR	22.6	400mm ² STR	26.1	8 SOL	0.129	4 STR	0.231	10mm ² SOL	3.6	16mm ² STR	5.1	GX394C	3/8	[10]	2.19	[56]	1.75	[44]	1.75	[44]	2.25	[57]	244	240	27.0		
1	1.000	[25.4]	550 kcmil	0.855	750 kcmil	0.998	300mm ² STR	22.6	400mm ² STR	26.1	4 SOL	0.204	2/0 STR	0.418	25mm ² STR	6.5	50mm ² STR	9.3	GX3926	3/8	[10]	2.19	[56]	1.75	[44]	1.75	[44]	2.25	[57]	244	240	27.0		
1	1.000	[25.4]	550 kcmil	0.855	750 kcmil	0.998	300mm ² STR	22.6	400mm ² STR	26.1	2/0 SOL	0.365	250 kcmil	0.575	70mm ² STR	10.9	120mm ² STR	14.4	GX3929	3/8	[10]	2.19	[56]	1.75	[44]	1.75	[44]	2.25	[57]	244	240	27.0		
1	1.000	[25.4]	550 kcmil	0.855	750 kcmil	0.998	300mm ² STR	22.6	400mm ² STR	26.1	300 kcmil	0.630	500 kcmil	0.814	150mm ² STR	16	240mm ² STR	20.3	GX3934	1/2	[13]	2.62	[67]	2.22	[56]	2.62	[67]	2.81	[71]	256	480	54.1		
1	1.000	[25.4]	550 kcmil	0.855	750 kcmil	0.998	300mm ² STR	22.6	400mm ² STR	26.1	500 kcmil	0.855	750 kcmil	0.998	300mm ² STR	22.6	400mm ² STR	26.1	GX3939	1/2	[13]	2.62	[67]	2.22	[56]	2.62	[67]	2.81	[71]	256	480	54.1		
1	1.000	[25.4]	800 kcmil	1.031	1000 kcmil	1.152	400mm ² STR	26.1	500mm ² STR	28.3	8 SOL	0.129	4 STR	0.231	10mm ² SOL	3.6	16mm ² STR	5.1	GX444C	3/8	[10]	2.56	[65]	2.06	[52]	1.94	[49]	2.25	[57]	204	240	27.0		
1	1.000	[25.4]	800 kcmil	1.031	1000 kcmil	1.152	400mm ² STR	26.1	500mm ² STR	28.3	4 SOL	0.204	2/0 STR	0.418	25mm ² STR	6.5	50mm ² STR	9.3	GX4426	3/8	[10]	2.56	[65]	2.06	[52]	1.94	[49]	2.25	[57]	204	240	27.0		
1	1.000	[25.4]	800 kcmil	1.031	1000 kcmil	1.152	400mm ² STR	26.1	500mm ² STR	28.3	2/0 SOL	0.365	250 STR	0.575	70mm ² STR	10.9	120mm ² STR	14.4	GX4429	3/8	[10]	2.56	[65]	2.06	[52]	1.94	[49]	2.25	[57]	204	240	27.0		
1	1.000	[25.4]	800 kcmil	1.031	1000 kcmil	1.152	400mm ² STR	26.1	500mm ² STR	28.3	300 kcmil	0.630	500 kcmil	0.814	150mm ² STR	16	240mm ² STR	20.3	GX4434	1/2	[13]	2.88	[73]	2.22	[56]	2.56	[65]	2.81	[71]	256	480	54.1		
1	1.000	[25.4]	800 kcmil	1.031	1000 kcmil	1.152	400mm ² STR	26.1	500mm ² STR	28.3	550 kcmil	0.855	750 kcmil	0.998	300mm ² STR	22.6	400mm ² STR	26.1	GX4439	1/2	[13]	2.88	[73]	2.5	[64]	2.88	[73]	3.88	[99]	390	480	54.1		
1	1.000	[25.4]	800 kcmil	1.031	1000 kcmil	1.152	400mm ² STR	26.1	500mm ² STR	28.3	800 kcmil	1.031	1000 kcmil	1.152	400mm ² STR	26.1	400mm ² STR	26.1	GX4444	1/2	[13]	2.88	[73]	2.5	[64]	2.88	[73]	3.88	[99]	390	480	54.1		



- NOTES:
1. MATERIAL: CAST COPPER ALLOY.
BRONZE U-BOLTS & HEX NUTS.
 2. UL 467 LISTED, FILE NO. E9999.
ACCEPTABLE FOR DIRECT BURIAL.
 3. DIMENSIONS IN BRACKETS [] ARE IN MILLIMETERS
ROUNDED OFF TO THE NEAREST MILLIMETER,
UNLESS OTHERWISE NOTED, AND ARE FOR REFERENCE ONLY.

TO ORDER BURNDY® PRODUCTS CALL		GROUND CLAMP	
UNITED STATES 1-800-346-4175 (LONDONDERRY, NH)		ITEM NO: NA	CAT. NO: GX--(TABLE)
CANADA: 1-800-387-6487 (ALL OTHER PROVINCES)		DRAWN BY: K.P. 05/19/56	CHECKER: ERD 05/17/56
FOR PRODUCT INFO: http://www.burndy.com		DSN APPVL: G.DITROIA 11/11/93	MFG APPVL: --
		GA APPVL: A.LLOYD 12/02/93	MKT APPVL: K.WOO 11/11/93
		PROD FAM: --	SCALE: 2:1
		PROJECT #: --	SIZE: D
		DOCUMENT TYPE: Sales	SD013779-01
		REL LEVEL: Released	SHEET 1 OF 1
		BURNDY	

REV: PE0200