

Application Information

The Midwest Heavy Duty manual transfer switch provides reliable, trouble-free transfer of power from the normal utility supplied source, to a stand-by generator. This enables the user to maintain power during utility down time periods. The “double throw” mechanism helps prevent dangerous backfeeding of generator power into the utility system. The Midwest transfer switch is designed to be fully operational and switchable at full rated capacity.

The Midwest Transfer switch is available in single phase and three phase configurations, and in ratings through 600V. Special application models, with meter sockets or switched neutrals, are also available.

Typical applications include poultry farms, dairy farms, ventilation in animal confinement buildings, crop drying, and anywhere an extended loss of normal power service would result in severe loss, damage or inconvenience.

Features and Benefits

Electrical Ratings

- 100-400 amperes
- 240 and 600 volt maximum models available
- 60 Hz
- 10,000 AIC

Rugged Durability

- Quick-Make, Quick-Break switch mechanism on most models
- All-In-One Construction for factory assured terminations
- Bus bars used to interconnect main and standby switches on most models
- Knife blade switch contacts provide long life
- Heavy zinc coated steel with highest quality powder coat finish resists corrosion and fading
- Welded flange, NEMA 3R construction, for lasting service in outdoor installations
- Quality user tested components for long life
- Non-metered models UL Listed, “Suitable for use as service equipment, when installed in accordance with the NEC.”

User Safety

- Interlock allows door opening only when switch is in the off position
- Padlock provision in all three on-off-on transfer positions
- Door has padlock provision

Installation Ease

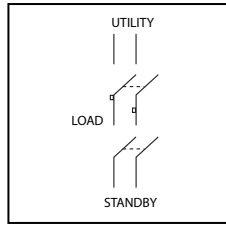
- Optional neutral kit available for both 240-volt and 600-volt
- Broad range of concentric knockouts to accommodate varied wiring needs
- All terminals accept copper or aluminum wire for added installation flexibility



Two Pole

Single Phase – Order Neutral Kit for 3-wire systems

Fig. A



Three Pole

Three Phase – Order Neutral Kit for 4-wire systems
Single Phase – 3" pole can be used for Switched Neutral Applications

Fig. B

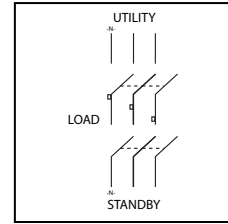


Figure	Model Number	Switch Ratings				System Voltage				Accessories
						Single Phase		Three Phase		
		Main (Amps)	Standby (Amps)	Voltage (VAC)	Poles	120/240 Vac	240V	480V	600V	Neutral Kit ⁴
100 Amp Transfer Switches										
A	GS1101B12UL	100	100	240	2	●				NEU102
B	GS3161B12UL	100	100	600	3	● ³	●	●	●	NEU102
A	GS3161G ¹	100	100	600	3	● ³	●	●	●	NEU102
200 Amp Transfer Switches										
A	GS1201B20UL	200	100	240	2	●				NEU202
A	GS1202B20UL	200	200	240	2	●				NEU202
A	GS1202B20M ²	200	200	240	2	●				NEU202
B	GS3262B25UL	200	200	600	3	● ³	●	●	●	NEU202
B	GS3262G ¹	200	200	600	3	● ³	●	●	●	NEU202
400 Amp Transfer Switches										
A	GS1402B01UL	400	200	240	2	●				NEU407
B	GS3402B01UL	400	200	240	3	● ³	●			NEU407
A	GS1404B01UL	400	400	240	2	●				NEU407
B	GS3404B01UL	400	400	240	3	● ³	●			NEU407
B	GS3464B01UL	400	400	600	3	● ³	●	●	●	NEU407

1 Light Duty Transfer Switch Aluminum Enclosure - includes hub closure plate

2 Includes Meter Socket - Not UL Listed

3 Use for Switched Neutral applications - Neutral Kit not required

4 Order neutral kit for 3-wire single phase systems (120/240) or 4-wire three phase systems (208Y/120, 480Y/277, or 600Y/347)

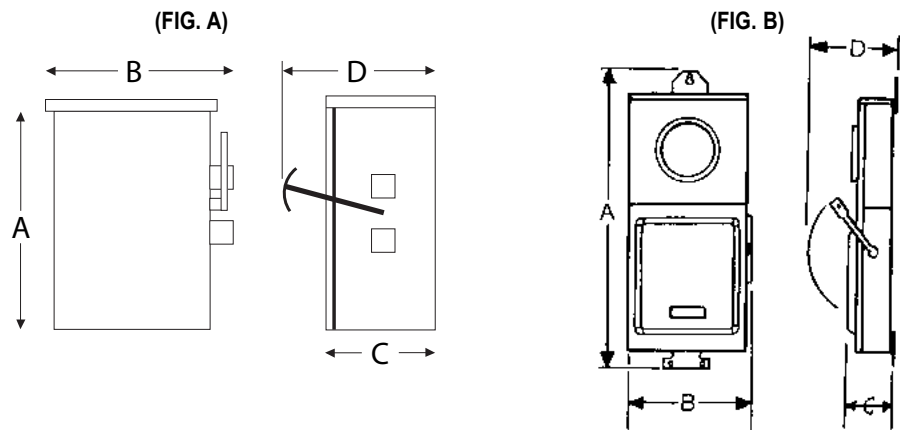
Transfer Switches Technical Data



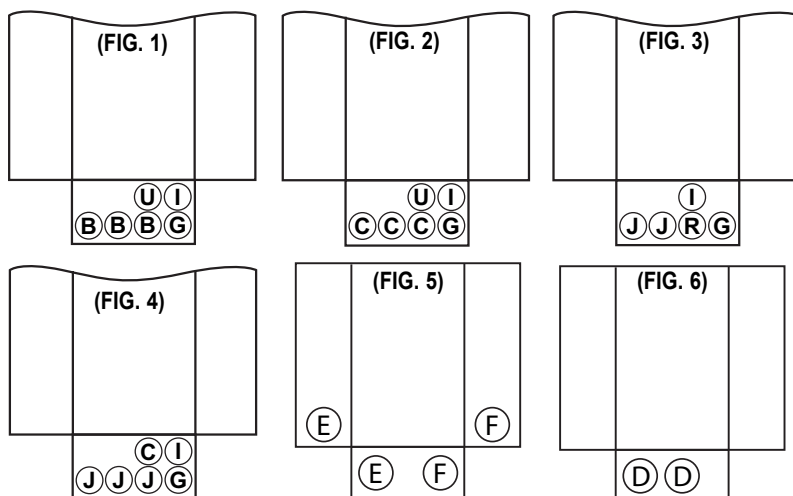
Model Number	Wire Range (Cu/Al)	Unit Weight (lbs)	Enclosure Style	Conduit Hub/Opening ¹		Cabinet Dimensions (in)				Knockout Figure
				Qty	Size	Height A	Width B	Depth C	Depth D	
GS1101B12UL	12-1/0	31	A	(1)	1 1/4"	26	13	6-3/4	10-5/8	1
GS3161B12UL	12-1/0	31	A	(1)	1 1/4"	26	13	6-3/4	10-5/8	1
GS3161G	12-1/0	11	A	(1)	Closure Cap	15-3/4	9-3/4	7	6-1/2	5
GS1201B20UL	6-250	42	A	(1)	2"	32	15-3/4	6-3/4	10-5/8	2
GS1202B20UL	6-250	46	A	(1)	2"	35	15-3/4	7	10-5/8	2
GS1202B20M	6-250	50	B	(1)	2"	38-1/4	15-3/4	6	10-5/8	2
GS3262B25UL	6-250	48	A	(1)	2 1/2"	34-3/4	15-3/4	6-3/4	10-5/8	2
GS3262G	6-250	43	A	(1)	Closure Cap	30-1/2	17	10	12	6
GS1402B01UL	2-600 or (2) 1/0-250	71	A	(2)	Closure Caps	43-1/2	18-1/2	9-1/4	14-1/8	3
GS3402B01UL	2-600 or (2) 1/0-250	107	A	(2)	Closure Caps	42-1/2	24	9-1/4	14-1/8	4
GS1404B01UL	2-600 or (2) 1/0-250	80	A	(2)	Closure Caps	43-3/4	18-1/2	9-1/4	14-1/8	3
GS3404B01UL	2-600 or (2) 1/0-250	120	A	(2)	Closure Caps	43-1/2	24	9	14-1/8	4
GS3464B01UL	2-600 or (2) 1/0-250	120	A	(2)	Closure Caps	43-1/2	24	9	14-1/8	4

¹ Switch includes conduit hub or closure cap(s) as indicated. For alternate conduit hub sizes, see table on page 118.

Cabinet Dimensions



Knockout Configurations



- B = 1", 1-1/4", 1-1/2"
- C = 1-1/4", 1-1/2", 2"
- D = 2", 2-1/2", 3"
- E = 1", 1-1/4", 1-3/4"
- F = 1-1/4", 1-3/4", 2"
- G = 1/2", 3/4", 1"
- I = 11/16"
- J = 2", 2-1/2", 3", 3-1/2"
- R = 3/4", 1", 1-1/4", 1-1/2", 2"
- U = 1/4"

Transfer Switches