

19.5" & 26" Supports for Outdoor Light Fixtures

GARD-N-POST™



GP19B



GP26G

For installing a light fixture and/or GFCI devices outdoors. UV rated plastic for long outdoor life. Four non-chipping colors.

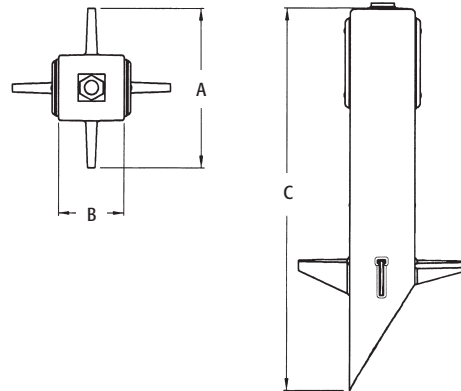
FEATURES AND BENEFITS

- Molded-in color is permanent—unlike painted posts where lawn equipment chips the color off
- Openings on both sides of the post for back-to-back power
- Low voltage separator provided for Power use on one side and Low Voltage on the other (phone, security, & cable TV)
- Built-in stabilizers need no assembly and provide rigid support
- GP19's stabilizers offer greater use of above ground height
- GP26's taller design provides additional height for wiring devices and increased burial depth
- Angle cut post for easy access to underground wiring
- (2) 1/2" KOs for a UL Listed enclosure

CATALOG NUMBER	UPC/DCI/NAED MFG #018997	DESCRIPTION	UNIT PKG	STD PKG	DIM A	DIM B	DIM C
GP19B	77086	Black	1	6	8.110	3.361	19.500
GP19BR	77087	Bronze	1	6	8.110	3.361	19.500
GP19G	77088	Green	1	6	8.110	3.361	19.500
GP19W	77089	White	1	6	8.110	3.361	19.500
GP26B	77090	Black	1	6	8.110	3.361	26.000
GP26BR	77092	Bronze	1	6	8.110	3.361	26.000
GP26G	77094	Green	1	6	8.110	3.361	26.000
GP26W	77096	White	1	6	8.110	3.361	26.000

Add suffix "GC" to Catalog # when ordering in Canada, for example GP19BGC. CSA listed with grounding lug.

PATENTED.



COMES COMPLETE WITH...

Installed 3/4" x 1/2" NPT metal reducing bushing, locknut with copper ground wire for fixture installation, blank device plate, gasket & screws, plug for top hole (when fixture is not installed), removable KO plate, and mounting base.

OPENINGS ON BOTH SIDES!



Install one or two GFCI Wiring Devices with Weatherproof Cover...



Or add the Low Voltage Separator and run Low Voltage on one side and Power on the other!



19.5" & 26" Supports for Outdoor Light Fixtures

GARD-N-POST™



GP19B



GP26G

For installing a light fixture and/or GFCI devices outdoors. UV rated plastic for long outdoor life. Four non-chipping colors.

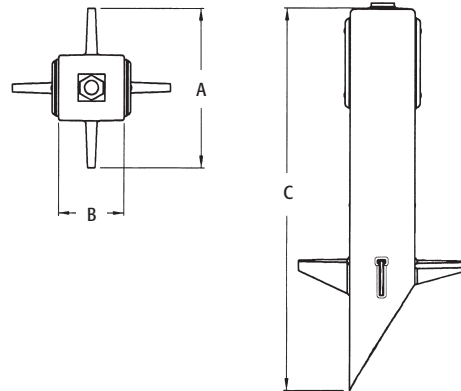
FEATURES AND BENEFITS

- Molded-in color is permanent—unlike painted posts where lawn equipment chips the color off
- Openings on both sides of the post for back-to-back power
- Low voltage separator provided for Power use on one side and Low Voltage on the other (phone, security, & cable TV)
- Built-in stabilizers need no assembly and provide rigid support
- GP19's stabilizers offer greater use of above ground height
- GP26's taller design provides additional height for wiring devices and increased burial depth
- Angle cut post for easy access to underground wiring
- (2) 1/2" KOs for a UL Listed enclosure

CATALOG NUMBER	UPC/DCI/NAED MFG #018997	DESCRIPTION	UNIT PKG	STD PKG	DIM A	DIM B	DIM C
GP19B	77086	Black	1	6	8.110	3.361	19.500
GP19BR	77087	Bronze	1	6	8.110	3.361	19.500
GP19G	77088	Green	1	6	8.110	3.361	19.500
GP19W	77089	White	1	6	8.110	3.361	19.500
GP26B	77090	Black	1	6	8.110	3.361	26.000
GP26BR	77092	Bronze	1	6	8.110	3.361	26.000
GP26G	77094	Green	1	6	8.110	3.361	26.000
GP26W	77096	White	1	6	8.110	3.361	26.000

Add suffix "GC" to Catalog # when ordering in Canada, for example GP19BGC. CSA listed with grounding lug.

PATENTED.



COMES COMPLETE WITH...

Installed 3/4" x 1/2" NPT metal reducing bushing, locknut with copper ground wire for fixture installation, blank device plate, gasket & screws, plug for top hole (when fixture is not installed), removable KO plate, and mounting base.

OPENINGS ON BOTH SIDES!



Install one or two GFCI Wiring Devices with Weatherproof Cover...



Or add the Low Voltage Separator and run Low Voltage on one side and Power on the other!

