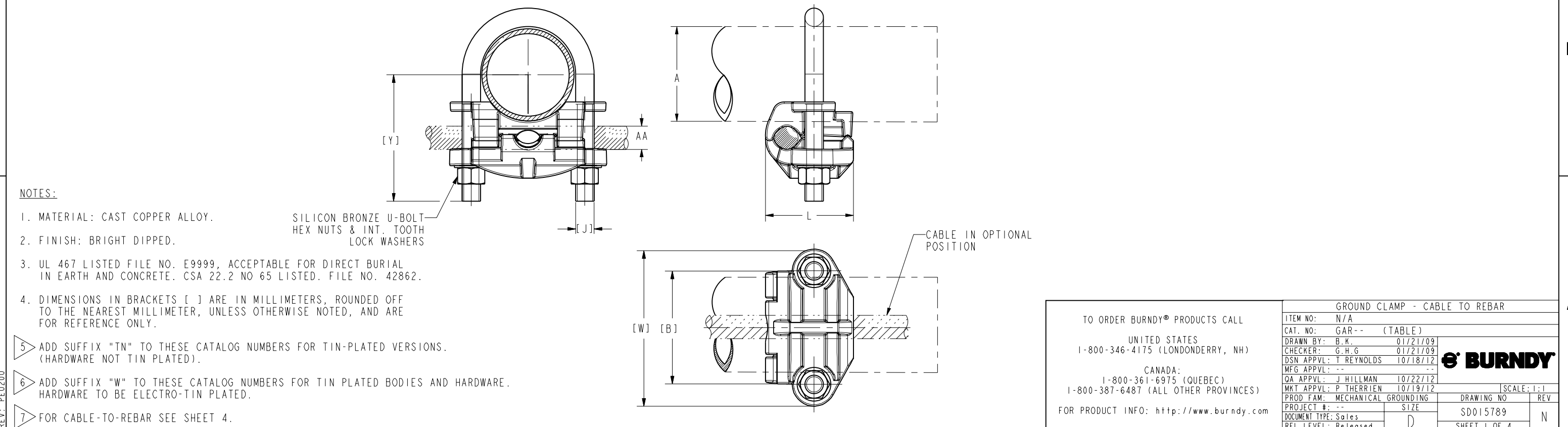


REV	DATE	DESCRIPTION	ECO	BY	C'H'K.
N	2020-05-04 01:00:00 EDT	NOTE 7 INCLUDED IN SHEET 2.	53513	PB	RG

CATALOG NUMBER	A						AA								B		Y		J		L		W		"U" BOLT	TORQUE	
	ROD ACCOMMODATED			I.P.S. PIPE ACCOMMODATED			COPPER CONDUCTOR ACCOMMODATED								(in)	(mm)	(in)	(mm)	(in)	(mm)	(in)	(mm)	(in)	(mm)		Lb in	Nm
	NOMINAL DIAMETER (in)	ACTUAL DIAMETER		NOMINAL DIAMETER (in)	ACTUAL DIAMETER		AWG				METRIC WIRE SIZE																
		(in)	(mm)		(in)	(mm)	SIZE	DIA	SIZE	DIA	SIZE	DIA	SIZE	DIA													
GARI14C	0.5	0.5000	[13]	1/4	0.540	[14]	8 sol	0.128	4 str	0.232	10mm ² sol	[3.6]	16mm ² str	[5.1]	1.00	[25]	1.88	[48]	3/8	[10]	1.31	[33]	1.88	[48]	271	240	27.0
GARI126	0.5	0.5000	[13]	1/4	0.540	[14]	4 sol	0.204	2/0 str	0.419	25mm ² str	[6.5]	70mm ² str	[10.9]	1.00	[25]	1.88	[48]	3/8	[10]	1.56	[40]	1.88	[48]	271	240	27.0
GARI129	0.5	0.5000	[13]	1/4	0.540	[14]	2/0 sol	0.365	250 Kcmil	0.575	70mm ² str	[10.9]	120mm ² str	[14.4]	1.00	[25]	1.88	[48]	3/8	[10]	1.81	[46]	1.88	[48]	271	240	27.0
GAR644C	0.625-0.75	0.625-0.75	[16]-[19]	3/8	0.675	[17]	8 sol	0.128	4 str	0.232	10mm ² sol	[3.6]	16mm ² str	[5.1]	1.19	[30]	2.06	[52]	3/8	[10]	1.31	[33]	2.06	[52]	269	240	27.0
GAR6426	0.625-0.75	0.625-0.75	[16]-[19]	3/8	0.675	[17]	4 sol	0.204	2/0 str	0.419	25mm ² str	[6.5]	70mm ² str	[10.9]	1.19	[30]	2.06	[52]	3/8	[10]	1.56	[40]	2.06	[52]	269	240	27.0
GAR6429	0.625-0.75	0.625-0.75	[16]-[19]	3/8	0.675	[17]	2/0 sol	0.365	250 Kcmil	0.575	70mm ² str	[10.9]	120mm ² str	[14.4]	1.19	[30]	2.06	[52]	3/8	[10]	1.81	[46]	2.06	[52]	269	240	27.0
GAR6434	0.625-0.75	0.625-0.75	[16]-[19]	3/8	0.675	[17]	300 Kcmil	0.63	500 Kcmil	0.813	150mm ² str	[16.0]	240mm ² str	[20.3]	1.31	[33]	2.56	[65]	1/2	[13]	2.25	[57]	2.44	[62]	254	480	54.1
GARI44C	1.000	1.000	[25]	1/2-3/4	.840-1.050	[21]-[27]	8 sol	0.128	4 str	0.232	10mm ² sol	[3.6]	16mm ² str	[5.1]	1.50	[38]	1.81	[46]	3/8	[10]	1.31	[33]	2.35	[60]	222	240	27.0
GARI426	1.000	1.000	[25]	1/2-3/4	.840-1.050	[21]-[27]	4 sol	0.204	2/0 str	0.419	25mm ² str	[6.5]	70mm ² str	[10.9]	1.50	[38]	1.81	[46]	3/8	[10]	1.56	[40]	2.38	[60]	249	240	27.0
GARI429	1.000	1.000	[25]	1/2-3/4	.840-1.050	[21]-[27]	2/0 sol	0.365	250 Kcmil	0.575	70mm ² str	[10.9]	120mm ² str	[14.4]	1.50	[38]	2.12	[54]	3/8	[10]	1.81	[46]	2.38	[60]	249	240	27.0
GARI434	1.000	1.000	[25]	1/2-3/4	.840-1.050	[21]-[27]	300 Kcmil	0.63	500 Kcmil	0.813	150mm ² str	[16.0]	240mm ² str	[20.3]	1.62	[41]	2.69	[68]	1/2	[13]	2.38	[60]	2.75	[70]	247	480	54.1
GARI54C	1.120-1.31	1.120-1.31	[28]-[33]	1	1.315	[33]	8 sol	0.128	4 str	0.232	10mm ² sol	[3.6]	16mm ² str	[5.1]	1.75	[45]	2.31	[59]	3/8	[10]	1.31	[33]	2.62	[67]	244	240	27.0
GARI526	1.120-1.31	1.120-1.31	[28]-[33]	1	1.315	[33]	4 sol	0.204	2/0 str	0.419	25mm ² str	[6.5]	70mm ² str	[10.9]	1.75	[45]	2.31	[59]	3/8	[10]	1.56	[40]	2.62	[67]	244	240	27.0
GARI529	1.120-1.31	1.120-1.31	[28]-[33]	1	1.315	[33]	2/0 sol	0.365	250 Kcmil	0.575	70mm ² str	[10.9]	120mm ² str	[14.4]	1.75	[45]	2.31	[59]	3/8	[10]	1.81	[46]	2.62	[67]	244	240	27.0
GARI534	1.120-1.31	1.120-1.31	[28]-[33]	1	1.315	[33]	300 Kcmil	0.63	500 Kcmil	0.813	150mm ² str	[16.0]	240mm ² str	[20.3]	1.88	[48]	3.31	[84]	1/2	[13]	2.38	[60]	3.00	[76]	311	480	54.1
GARI64C	1.380-1.66	1.380-1.66	[35]-[42]	1 1/4	1.660	[42]	8 sol	0.128	4 str	0.232	10mm ² sol	[3.6]	16mm ² str	[5.1]	2.06	[52]	2.31	[59]	3/8	[10]	1.31	[33]	3.00	[76]	204	240	27.0
GARI626	1.380-1.66	1.380-1.66	[35]-[42]	1 1/4	1.660	[42]	4 sol	0.204	2/0 str	0.419	25mm ² str	[6.5]	70mm ² str	[10.9]	2.06	[52]	2.31	[59]	3/8	[10]	1.56	[40]	3.00	[76]	204	240	27.0
GARI629	1.380-1.66	1.380-1.66	[35]-[42]	1 1/4	1.660	[42]	2/0 sol	0.365	250 Kcmil	0.575	70mm ² str	[10.9]	120mm ² str	[14.4]	2.06	[52]	2.31	[59]	3/8	[10]	1.51	[38]	3.00	[76]	204	240	27.0
GARI634	1.380-1.66	1.380-1.66	[35]-[42]	1 1/4	1.660	[42]	300 Kcmil	0.63	500 Kcmil	0.813	150mm ² str	[16.0]	240mm ² str	[20.3]	2.22	[56]	3.19	[81]	1/2	[13]	2.38	[60]	3.38	[86]	423	480	54.1
GARI639	1.380-1.66	1.380-1.66	[35]-[42]	1 1/4	1.660	[42]	550 Kcmil	0.85	750 Kcmil	0.998	300mm ² str	[22.6]	300mm ² str	[22.6]	2.31	[59]	3.56	[90]	1/2	[13]	2.75	[70]	3.75	[95]	359	480	54.1
GARI74C	1.620-1.90	1.620-1.90	[41]-[48]	1 1/2	1.900	[48]	8 sol	0.128	4 str	0.232	10mm ² sol	[3.6]	16mm ² str	[5.1]	2.34	[59]	2.69	[68]	3/8	[10]	1.31	[33]	3.25	[83]	268	240	27.0
GARI726	1.620-1.90	1.620-1.90	[41]-[48]	1 1/2	1.900	[48]	4 sol	0.204	2/0 str	0.419	25mm ² str	[6.5]	70mm ² str	[10.9]	2.34	[59]	2.69	[68]	3/8	[10]	1.56	[40]	3.25	[83]	268	240	27.0
GARI729	1.620-1.90	1.620-1.90	[41]-[48]	1 1/2	1.900	[48]	2/0 sol	0.365	250 Kcmil	0.575	70mm ² str	[10.9]	120mm ² str	[14.4]	2.34	[59]	2.69	[68]	3/8	[10]	1.81	[46]	3.25	[83]	268	240	27.0
GARI734	1.620-1.90	1.620-1.90	[41]-[48]	1 1/2	1.900	[48]	300 Kcmil	0.63	500 Kcmil	0.813	150mm ² str	[16.0]	240mm ² str	[20.3]	2.47	[63]	3.19	[81]	1/2	[13]	2.38	[60]	3.62	[97]	302	480	54.1
GARI84C	2.000-2.38	2.000-2.38	[51]-[60]	2	2.375	[60]	8 sol	0.128	4 str	0.232	10mm ² sol	[3.6]	16mm ² str	[5.1]	2.81	[71]	2.62	[67]	3/8	[10]	1.31	[33]	3.69	[94]	257	240	27.0
GARI826	2.000-2.38	2.000-2.38	[51]-[60]	2	2.375	[60]	4 sol	0.204	2/0 str	0.419	25mm ² str	[6.5]	70mm ² str	[10.9]	2.81	[71]	2.62	[67]	3/8	[10]	1.56	[40]	3.69	[94]	257	240	27.0
GARI829	2.000-2.38	2.000-2.38	[51]-[60]	2	2.375	[60]	2/0 sol	0.365	250 Kcmil	0.575	70mm ² str	[10.9]	120mm ² str	[14.4]	2.81	[71]	2.62	[67]	3/8	[10]	1.81	[46]	3.69	[94]	310	240	27.0
GARI834	2.000-2.38	2.000-2.38	[51]-[60]	2	2.375	[60]	300 Kcmil	0.63	500 Kcmil	0.813	150mm ² str	[16.0]	240mm ² str	[20.3]	2.94	[75]	3.62	[92]	1/2	[13]	2.38	[60]	4.06	[103]	260	480	54.1
GARI839	2.000-2.38	2.000-2.38	[51]-[60]	2	2.375	[60]	550 Kcmil	0.85	750 Kcmil	0.998	300mm ² str	[22.6]	300mm ² str	[22.6]	3.06	[78]	3.80	[97]	5/8	[16]	2.75	[70]	4.44	[113]	358	355	74.4
GARI94C	2.500-2.88	2.500-2.88	[64]-[73]	2 1/2	2.875	[73]	8 sol	0.128	4 str	0.232	10mm ² sol	[3.6]	16mm ² str	[5.1]	3.31	[84]	3.19	[81]	3/8	[10]	1.31	[33]	4.19	[106]	266	240	27.0



- NOTES:
- MATERIAL: CAST COPPER ALLOY.
 - FINISH: BRIGHT DIPPED.
 - UL 467 LISTED FILE NO. E9999, ACCEPTABLE FOR DIRECT BURIAL IN EARTH AND CONCRETE. CSA 22.2 NO 65 LISTED. FILE NO. 42862.
 - DIMENSIONS IN BRACKETS [] ARE IN MILLIMETERS, ROUNDED OFF TO THE NEAREST MILLIMETER, UNLESS OTHERWISE NOTED, AND ARE FOR REFERENCE ONLY.
- 5 ADD SUFFIX "TN" TO THESE CATALOG NUMBERS FOR TIN-PLATED VERSIONS. (HARDWARE NOT TIN PLATED).
- 6 ADD SUFFIX "W" TO THESE CATALOG NUMBERS FOR TIN PLATED BODIES AND HARDWARE. HARDWARE TO BE ELECTRO-TIN PLATED.
- 7 FOR CABLE-TO-REBAR SEE SHEET 4.

TO ORDER BURNDY® PRODUCTS CALL
 UNITED STATES
 1-800-346-4175 (LONDONDERRY, NH)

CANADA:
 1-800-361-6975 (QUEBEC)
 1-800-387-6487 (ALL OTHER PROVINCES)

FOR PRODUCT INFO: <http://www.burndy.com>

GROUND CLAMP - CABLE TO REBAR	
ITEM NO:	N/A
CAT. NO:	GAR-- (TABLE)
DRAWN BY:	B.K. 01/21/09
CHECKER:	G.H.G. 01/21/09
DSN APPVL:	T REYNOLDS 10/18/12
MFG APPVL:	--
QA APPVL:	J HILLMAN 10/22/12
MKT APPVL:	P THERRIEN 10/19/12
PROJECT #:	--
DOCUMENT TYPE:	Sales
REL LEVEL:	Released

SCALE: 1:1

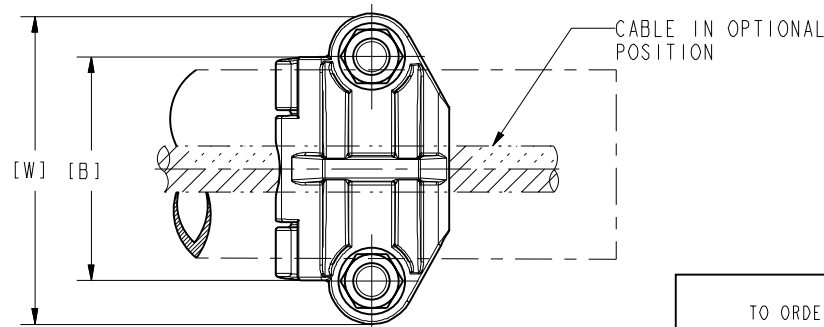
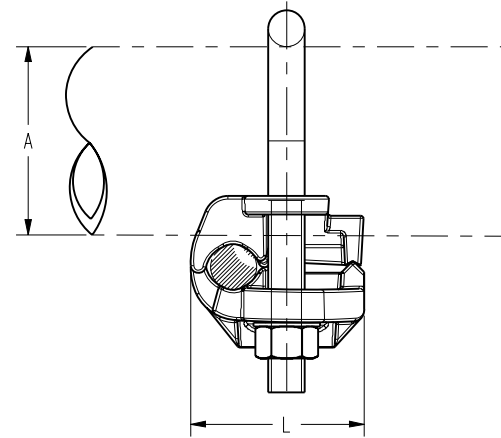
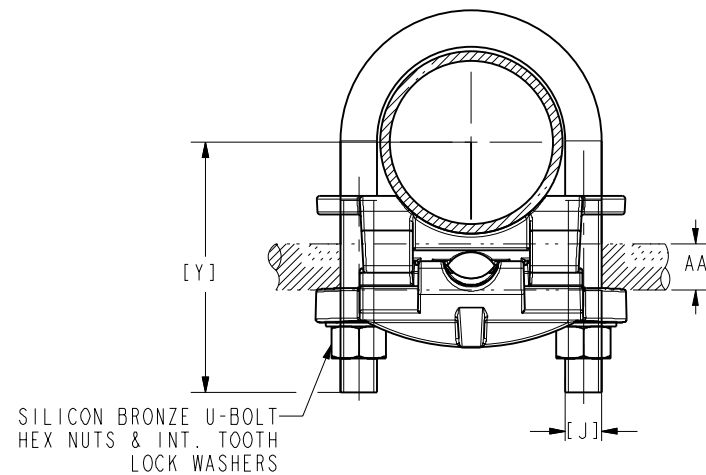
DRAWING NO: SD015789

SHEET 1 OF 4

REV: N

REV	DATE	DESCRIPTION	ECO	BY	C'H'K.
N	2020-05-04 01:00:00 EDT	NOTE 7 INCLUDED IN SHEET 2.	53513	PB	RG

CATALOG NUMBER	A						AA								B		Y		J		L		W		"U" BOLT	TORQUE		
	ROD ACCOMMODATED			I.P.S. PIPE ACCOMMODATED			COPPER CONDUCTOR ACCOMMODATED								(in)	(mm)	(in)	(mm)	(in)	(mm)	(in)	(mm)	(in)	(mm)		Lb	in	Nm
	NOMINAL DIAMETER (in)	ACTUAL DIAMETER		NOMINAL DIAMETER (in)	ACTUAL DIAMETER		AWG				METRIC WIRE SIZE																	
		(in)	(mm)		(in)	(mm)	MIN	MAX	MIN	MAX	MIN	MAX	MIN	MAX														
GAR1926	2.500-2.88	2.500-2.88	[64]-[73]	2 1/2	2.875	[73]	4 sol	0.204	2/0 str	0.419	25mm ² str	[6.5]	70mm ² str	[10.9]	3.31	[84]	3.19	[81]	3/8	[10]	1.56	[40]	4.19	[106]	266	240	27.0	
GAR1929	2.500-2.88	2.500-2.88	[64]-[73]	2 1/2	2.875	[73]	2/0 sol	0.365	250 Kcmil	0.575	70mm ² str	[10.9]	120mm ² str	[14.4]	3.31	[84]	3.19	[81]	3/8	[10]	1.81	[46]	4.19	[106]	266	240	27.0	
GAR1934	2.500-2.88	2.500-2.88	[64]-[73]	2 1/2	2.875	[73]	300 Kcmil	0.63	500 Kcmil	0.813	150mm ² str	[16.0]	240mm ² str	[20.3]	3.44	[87]	3.88	[98]	1/2	[13]	2.38	[60]	4.36	[111]	347	480	54.1	
GAR204C	3.000-3.50	3.000-3.50	[76]-[89]	3	3.500	[89]	8 sol	0.128	4 str	0.232	10mm ² sol	[3.6]	16mm ² str	[5.1]	3.94	[100]	3.44	[87]	3/8	[10]	1.31	[33]	4.81	[122]	267	240	27.0	
GAR2026	3.000-3.50	3.000-3.50	[76]-[89]	3	3.500	[89]	4 sol	0.204	2/0 str	0.419	25mm ² str	[6.5]	70mm ² str	[10.9]	3.94	[100]	3.44	[87]	3/8	[10]	1.56	[40]	4.81	[122]	267	240	27.0	
GAR2029	3.000-3.50	3.000-3.50	[76]-[89]	3	3.500	[89]	2/0 sol	0.365	250 Kcmil	0.575	70mm ² str	[10.9]	120mm ² str	[14.4]	3.94	[100]	3.44	[87]	3/8	[10]	1.81	[46]	4.81	[122]	267	240	27.0	
GAR2034	3.000-3.50	3.000-3.50	[76]-[89]	3	3.500	[89]	300 Kcmil	0.63	500 Kcmil	0.813	150mm ² str	[16.0]	240mm ² str	[20.3]	4.12	[105]	4.06	[103]	1/2	[13]	2.38	[60]	5.19	[132]	282	480	54.1	
GAR2039	3.000-3.50	3.000-3.50	[76]-[89]	3	3.500	[89]	550 Kcmil	0.85	750 Kcmil	0.998	300mm ² str	[22.6]	300mm ² str	[22.6]	4.19	[106]	4.44	[113]	5/8	[16]	2.75	[70]	5.56	[141]	450	660	74.4	
GAR214C	3.500-4.00	3.500-4.00	[89]-[102]	3 1/2	4.000	[102]	8 sol	0.128	4 str	0.232	10mm ² sol	[3.6]	16mm ² str	[5.1]	4.44	[113]	3.81	[97]	3/8	[10]	1.31	[33]	5.31	[135]	264	240	27.0	
GAR2126	3.500-4.00	3.500-4.00	[89]-[102]	3 1/2	4.000	[102]	4 sol	0.204	2/0 str	0.419	25mm ² str	[6.5]	70mm ² str	[10.9]	4.44	[113]	3.81	[97]	3/8	[10]	1.56	[40]	5.31	[135]	264	240	27.0	
GAR2129	3.500-4.00	3.500-4.00	[89]-[102]	3 1/2	4.000	[102]	2/0 sol	0.365	250 Kcmil	0.575	70mm ² str	[10.9]	120mm ² str	[14.4]	4.44	[113]	3.81	[97]	3/8	[10]	1.81	[46]	5.31	[135]	264	240	27.0	
GAR2134	3.500-4.00	3.500-4.00	[89]-[102]	3 1/2	4.000	[102]	300 Kcmil	0.63	500 Kcmil	0.813	150mm ² str	[16.0]	240mm ² str	[20.3]	4.56	[116]	4.19	[106]	1/2	[13]	2.38	[60]	5.69	[145]	436	480	54.1	
GAR224C	4.000-4.50	4.000-4.50	[102]-[114]	4	4.500	[114]	8 sol	0.128	4 str	0.232	10mm ² sol	[3.6]	16mm ² str	[5.1]	4.94	[126]	3.75	[95]	3/8	[10]	1.31	[33]	5.81	[148]	261	240	27.0	
GAR2226	4.000-4.50	4.000-4.50	[102]-[114]	4	4.500	[114]	4 sol	0.204	2/0 str	0.419	25mm ² str	[6.5]	70mm ² str	[10.9]	4.94	[126]	3.75	[95]	3/8	[10]	1.56	[40]	5.81	[148]	261	240	27.0	
GAR2229	4.000-4.50	4.000-4.50	[102]-[114]	4	4.500	[114]	2/0 sol	0.365	250 Kcmil	0.575	70mm ² str	[10.9]	120mm ² str	[14.4]	4.94	[126]	3.75	[95]	3/8	[10]	1.81	[46]	5.81	[148]	261	240	27.0	
GAR2234	4.000-4.50	4.000-4.50	[102]-[114]	4	4.500	[114]	300 Kcmil	0.63	500 Kcmil	0.813	150mm ² str	[16.0]	240mm ² str	[20.3]	5.06	[129]	4.06	[103]	1/2	[13]	2.38	[60]	6.19	[157]	416	480	54.1	
GAR2426	--	--	--	5	5.563	[141]	4 sol	0.204	2/0 str	0.419	25mm ² str	[6.5]	70mm ² str	[10.9]	6.00	[152]	4.06	[103]	3/8	[10]	1.56	[40]	6.88	[175]	422	240	27.0	
GAR2429	--	--	--	5	5.563	[141]	2/0 sol	0.365	250 Kcmil	0.575	70mm ² str	[10.9]	120mm ² str	[14.4]	6.00	[152]	4.44	[113]	3/8	[10]	1.81	[46]	6.88	[175]	422	240	27.0	
GAR2434	--	--	--	5	5.563	[141]	300 Kcmil	0.63	500 Kcmil	0.813	150mm ² str	[16.0]	240mm ² str	[20.3]	6.12	[156]	4.69	[119]	1/2	[13]	2.38	[60]	7.25	[184]	437	480	54.1	
GAR6439	0.625-0.75	0.625-0.75	[16]-[19]	3/8	0.675	[17]	550 Kcmil	0.85	750 Kcmil	0.998	300mm ² str	[22.6]	300mm ² str	[22.6]	1.62	[41]	2.69	[68]	1/2	[13]	2.55	[65]	2.75	[70]	247	480	54.1	
GAR244C	-	-	-	5	5.563	[141]	8 sol	0.128	4 str	0.232	10mm ² str	[3.6]	16mm ² sol	[5.1]	1.62	[41]	4.06	[103]	3/8	[10]	1.56	[40]	6.88	[175]	122	240	27.0	



NOTES:

1. MATERIAL: CAST COPPER ALLOY.
2. FINISH: BRIGHT DIPPED.
3. UL 467 LISTED FILE NO. E9999, ACCEPTABLE FOR DIRECT BURIAL IN EARTH AND CONCRETE CSA 22.2 NO 65 LISTED. FILE NO. 42862..
4. DIMENSIONS IN BRACKETS [] ARE IN MILLIMETERS, ROUNDED OFF TO THE NEAREST MILLIMETER, UNLESS OTHERWISE NOTED, AND ARE FOR REFERENCE ONLY.

5 ADD SUFFIX "TN" TO THESE CATALOG NUMBERS FOR TIN-PLATED VERSIONS. (HARDWARE NOT TIN PLATED).

6 ADD SUFFIX "W" TO THESE CATALOG NUMBERS FOR TIN PLATED BODIES AND HARDWARE. HARDWARE TO BE ELECTRO-TIN PLATED.

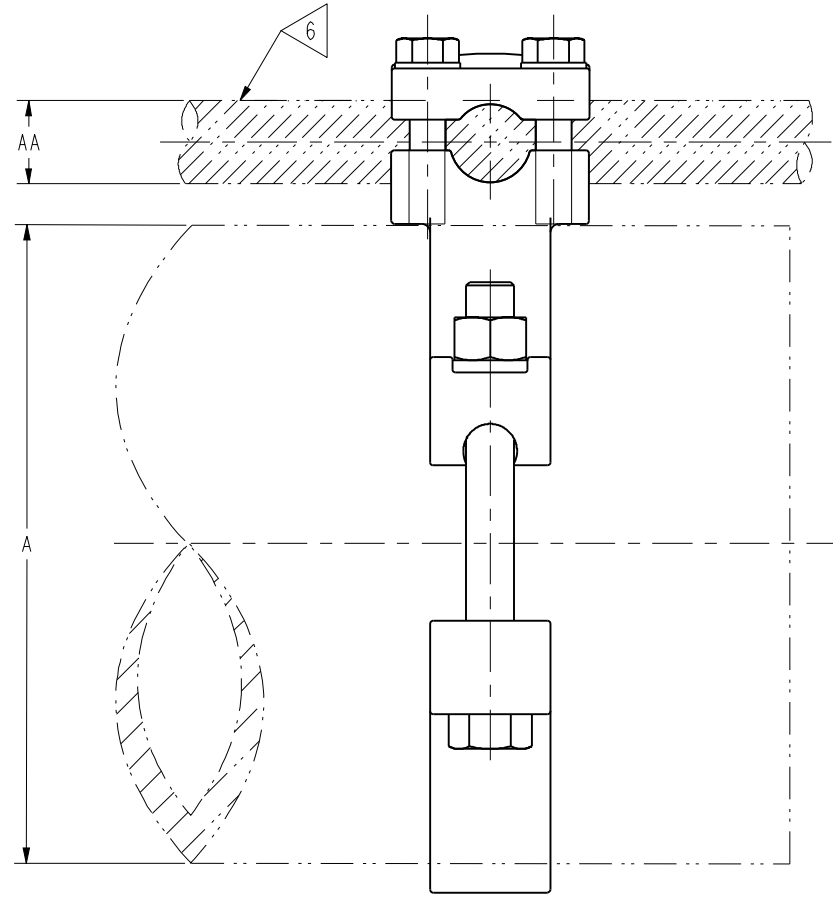
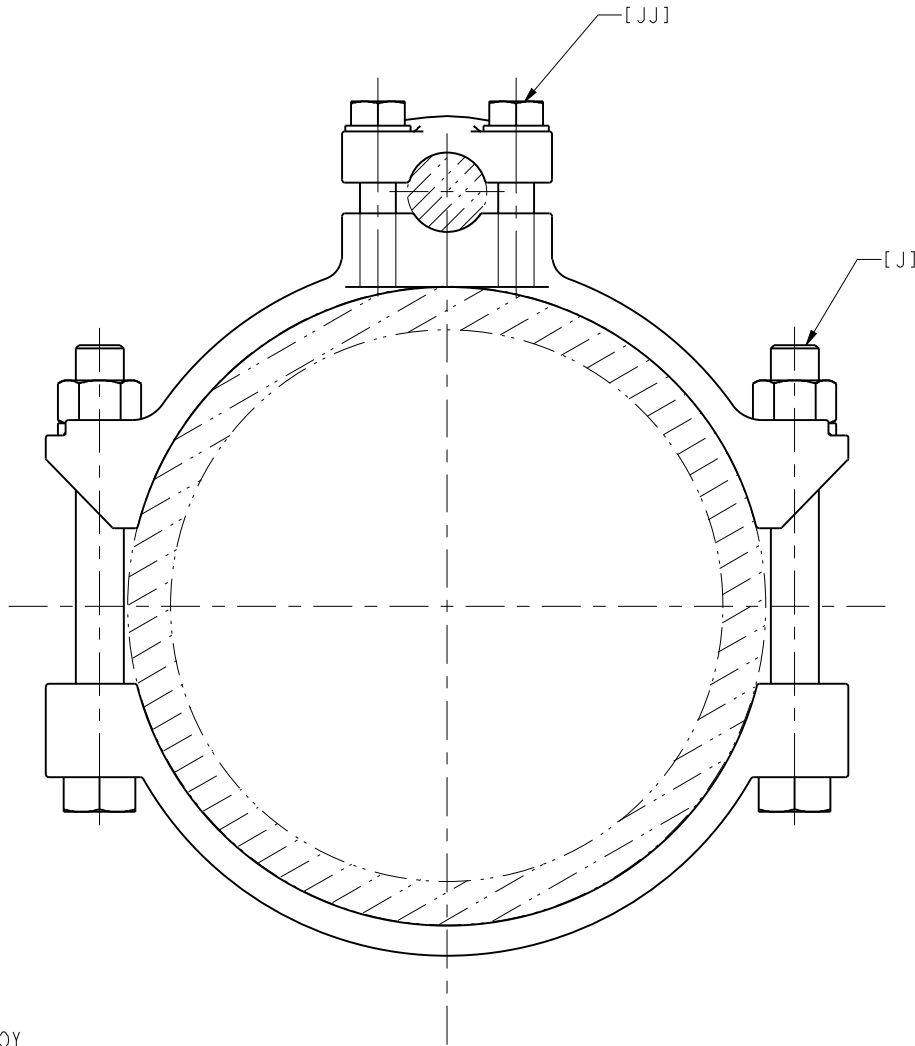
7 SUFFIX "SE" TO THE CATALOG NUMBER INDICATES, IT COMES WITH SPLIT LOCK WASHER INSTEAD OF THE STANDARD INTERNAL TOOTH LOCK WASHER.

TO ORDER BURNDY® PRODUCTS CALL		GROUND CLAMP - CABLE TO REBAR	
UNITED STATES		ITEM NO:	N/A
1-800-346-4175 (LONDONDERRY, NH)		CAT. NO:	GAR-- (TABLE)
CANADA:		DRAWN BY:	B.K. 01/21/09
1-800-361-6975 (QUEBEC)		CHECKER:	G.H.G. 01/21/09
1-800-387-6487 (ALL OTHER PROVINCES)		DSN APPVL:	T REYNOLDS 10/18/12
FOR PRODUCT INFO: http://www.burndy.com		MFG APPVL:	--
		GA APPVL:	J HILLMAN 10/22/12
		MKT APPVL:	P THERRIEN 10/19/12
		PROD FAM:	MECHANICAL GROUNDING
		PROJECT #:	--
		DOCUMENT TYPE:	Sales
		REL LEVEL:	Released
		SCALE:	1:1
		DRAWING NO:	SD015789
		REV:	N
		SHEET 2 OF 4	

REV: PE0200

REV	DATE	DESCRIPTION	ECO	BY	C'H'K.
N	2020-05-04 01:00:00 EDT	NOTE 7 INCLUDED IN SHEET 2.	53513	PB	RG

CATALOG NUMBER	A I.P.S. PIPE ACCOMMODATED			AA COPPER CONDUCTOR ACCOMMODATED								B		BB		H		J		JJ		W		Y		TORQUE		
	NOMINAL DIAMETER (in)	ACTUAL DIAMETER		AWG				METRIC WIRE SIZE				(in)	(mm)	(in)	(mm)	(in)	(mm)	(in)	(mm)	(in)	(mm)	(in)	(mm)	Lb in	Nm			
		(in)	(mm)	MIN	MAX	MIN	MAX	MIN	MAX																			
		SIZE	DIA	SIZE	DIA	SIZE	DIA	SIZE	DIA																			
GAR8626	3	6	6.625	[162]	4 sol	0.204	2/0 str	0.419	25mm ² str	[6.5]	70mm ² str	[10.9]	1.25	[32]	1.69	[43]	2.50	[64]	1/2	[13]	3/8	[10]	8.38	[213]	4.88	[124]	480	54.1
GAR8629	3	6	6.625	[162]	2/0 sol	0.365	250 Kcmil	0.575	70mm ² str	[10.9]	120mm ² str	[14.4]	1.25	[32]	1.81	[46]	8.81	[224]	1/2	[13]	3/8	[10]	8.38	[213]	5.16	[131]	480	54.1
GAR8634	3	6	6.625	[162]	300 Kcmil	0.63	500 Kcmil	0.814	150mm ² str	[16.0]	240mm ² str	[20.3]	1.25	[32]	2.06	[52]	8.75	[222]	1/2	[13]	3/8	[10]	8.38	[213]	5.12	[130]	480	54.1



NOTES:

1. MATERIAL: CAST COPPER ALLOY.
2. FINISH: BRIGHT DIPPED.
3. NOT UL LISTED.
4. DIMENSIONS IN BRACKETS [] ARE IN MILLIMETERS ROUNDED OFF TO THE NEAREST MILLIMETER, UNLESS OTHERWISE NOTED, AND ARE FOR REFERENCE ONLY.
5. MAX. WITH MAX. CABLE IN PLACE BEFORE COMPRESSION.
6. CABLE IN OPTIONAL POSITION CAN BE ROTATED 90° FROM POSITION SHOWN.
7. ADD SUFFIX "TN" TO THESE CATALOG NUMBERS FOR TIN PLATED VERSIONS (HARDWARE NOT TIN PLATED).
8. ADD SUFFIX "W" TO THESE CATALOG NUMBERS FOR TIN PLATED BODIES AND HARDWARE. HARDWARE TO BE ELECTRO-TIN PLATED.

TO ORDER BURNDY® PRODUCTS CALL		GROUND CLAMP - CABLE TO REBAR	
UNITED STATES		ITEM NO:	N/A
1-800-346-4175 (LONDONDERRY, NH)		CAT. NO:	GAR-- (TABLE)
CANADA:		DRAWN BY:	B.K. 01/21/09
1-800-361-6975 (QUEBEC)		CHECKER:	G.H.G. 01/21/09
1-800-387-6487 (ALL OTHER PROVINCES)		DSN APPVL:	T REYNOLDS 10/18/12
FOR PRODUCT INFO: http://www.burndy.com		MFG APPVL:	--
		QA APPVL:	J HILLMAN 10/22/12
		MKT APPVL:	P THERRIEN 10/19/12
		PROD FAM:	MECHANICAL GROUNDING
		PROJECT #:	--
		DOCUMENT TYPE:	Sales
		REL LEVEL:	Released
		SCALE:	1:1
		DRAWING NO:	SD015789
		REV:	N
		SHEET:	3 OF 4

REV: PE0200

REV	DATE	DESCRIPTION	ECO	BY	C'H'K.
N	2020-05-04 01:00:00 EDT	NOTE # 7 INCLUDED IN SHEET # 2.	53513	PB	RG

D

D

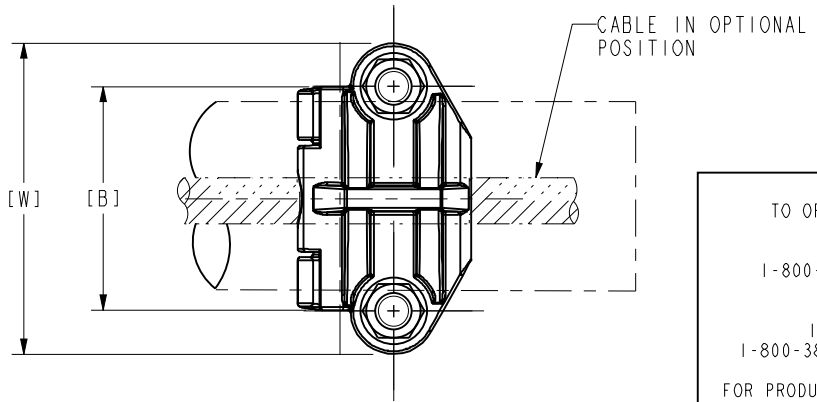
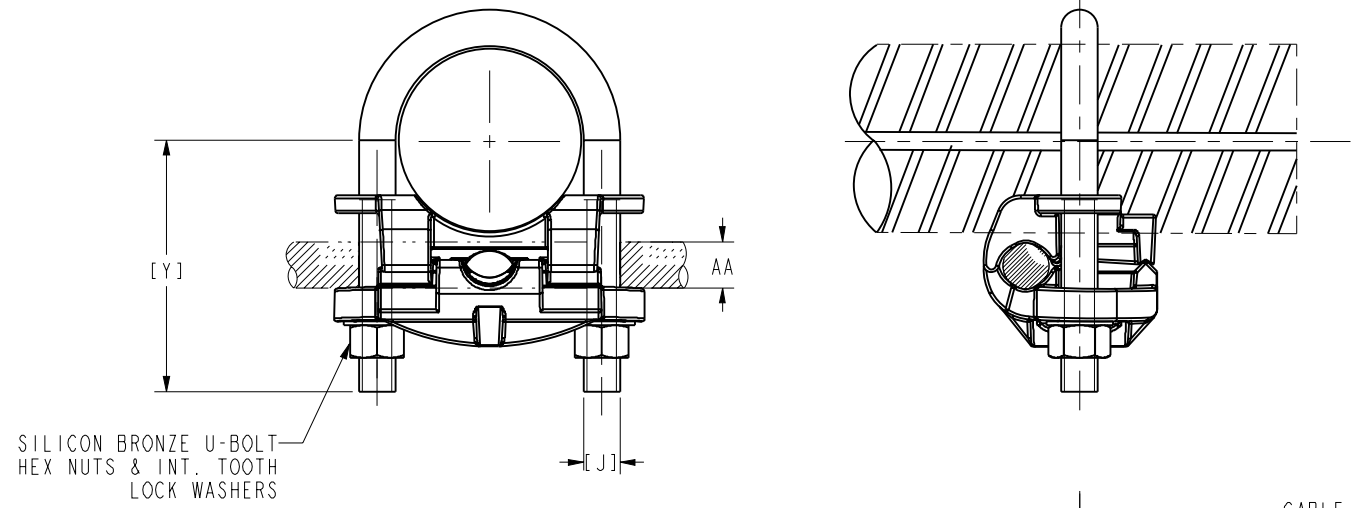
CATALOG NUMBER	CONDUCTOR			
	TUBE I.P.S.	ROD SIZE or O.D. RANGE	REBAR SIZE	CABLE
GAR114C	1/4	1/2	--	8 SOL. - 4 STR.
GAR1126				4 SOL. - 2/0 STR.
GAR1129				2/0 SOL. - 250
GAR644C	3/8	5/8 - 3/4	#5 (5/8") - #6 (3/4")	8 SOL. - 4 STR.
GAR6426				4 SOL. - 2/0 STR.
GAR6429				2/0 SOL. - 250
GAR6434				300-500
GAR144C	1/2 - 3/4	7/8 - 1	#7 (7/8") - #8 (1")	8 SOL. - 4 STR.
GAR1426				4 SOL. - 2/0 STR.
GAR1429				2/0 SOL. - 250
GAR1434				300-500
GAR154C	1	1-1/8 - 1-1/4	#9 (1-1/8") - #10 (1-1/4")	8 SOL. - 4 STR.
GAR1526				4 SOL. - 2/0 STR.
GAR1529				2/0 SOL. - 250
GAR1534				300-500
GAR164C	1-1/4	1-3/8 - 1-1/2	#11 (1-3/8")	8 SOL. - 4 STR.
GAR1626				4 SOL. - 2/0 STR.
GAR1629				2/0 SOL. - 250
GAR1634				300-500

C

C

B

B



- NOTES:
1. MATERIAL: CAST COPPER ALLOY
 2. FINISH: BRIGHT DIPPED.
 3. UL467 LISTED FILE NO. E9999 ACCEPTABLE FOR DIRECT BURIAL IN EARTH AND CONCRETE. CSA 22.2 NO 65 LISTED. FILE NO. 42862.
 4. SEE SHEET 1 OF 4 FOR DIMENSIONS.
 5. ADD SUFFIX "TN" TO THESE CATALOG NUMBERS FOR TIN PLATED VERSIONS (HARDWARE NOT TIN PLATED).
 6. ADD SUFFIX "W" TO THESE CATALOG NUMBERS FOR TIN PLATED BODIES AND HARDWARE. HARDWARE TO BE ELECTRO-TIN PLATED.

TO ORDER BURNDY® PRODUCTS CALL
 UNITED STATES
 1-800-346-4175 (LONDONDERRY, NH)
 CANADA:
 1-800-361-6975 (QUEBEC)
 1-800-387-6487 (ALL OTHER PROVINCES)
 FOR PRODUCT INFO: <http://www.burndy.com>

GROUND CLAMP - CABLE TO REBAR	
ITEM NO:	N/A
CAT. NO:	GAR-- (TABLE)
DRAWN BY:	B.K. 01/21/09
CHECKER:	G.H.G. 01/21/09
DSN APPVL:	T REYNOLDS 10/18/12
MFG APPVL:	--
QA APPVL:	J HILLMAN 10/22/12
MKT APPVL:	P THERRIEN 10/19/12
PROD FAM:	MECHANICAL GROUNDING
PROJECT #:	--
DOCUMENT TYPE:	Sales
REL LEVEL:	Released



DRAWING NO	REV
SD015789	N

REV: PE0200

A