



GALVANIZED CONDUIT NIPPLES

UL Listed and Labeled

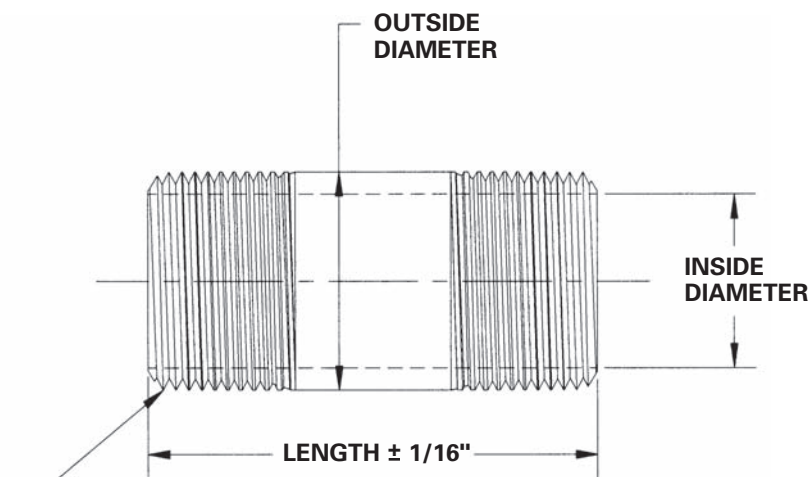
GALVANIZED CONDUIT NIPPLES

| CATALOG NUMBER | DESCRIPTION | WEIGHT PER 100 PIECES (lbs) | STANDARD CARTON |
|-------------------|-------------------------------------|-----------------------------|-----------------|
| GALNIP1/2XCL | 1/2X1 1/8 CLOSE GALVANIZED NIPPLE | 6 | 25 |
| GALNIP3/4XCL | 3/4X1 3/8 CLOSE GALVANIZED NIPPLE | 9 | 25 |
| GALNIP1XCL | 1X1 1/2 CLOSE GALVANIZED NIPPLE | 16 | 25 |
| GALNIP1-1/4XCL | 1 1/4X1 5/8 CLOSE GALVANIZED NIPPLE | 22 | 25 |
| GALNIP1-1/2XCL | 1 1/2X1 3/4 CLOSE GALVANIZED NIPPLE | 28 | 25 |
| GALNIP2XCL | 2X2 CLOSE GALVANIZED NIPPLE | 44 | 25 |
| GALNIP2-1/2XCL | 2 1/2X2 1/2 CLOSE GALVANIZED NIPPLE | 84 | 10 |
| GALNIP3XCL | 3X2 5/8 CLOSE GALVANIZED NIPPLE | 118 | 10 |
| GALNIP3-1/2XCL | 3 1/2X2 3/4 CLOSE GALVANIZED NIPPLE | 160 | 10 |
| GALNIP4XCL | 4X2 7/8 CLOSE GALVANIZED NIPPLE | 180 | 10 |
| GALNIP5XCL | 5X3 CLOSE GALVANIZED NIPPLE | 240 | BLK |
| GALNIP6XCL | 6X3 1/8 CLOSE GALVANIZED NIPPLE | 350 | BLK |
| GALNIP1/2X1-1/2 | 1/2X1 1/2 GALVANIZED NIPPLE | 8 | 25 |
| GALNIP3/4X1-1/2 | 3/4X1 1/2 GALVANIZED NIPPLE | 10 | 25 |
| GALNIP1/2X2 | 1/2X2 GALVANIZED NIPPLE | 12 | 25 |
| GALNIP3/4X2 | 3/4X2 GALVANIZED NIPPLE | 14 | 25 |
| GALNIP1X2 | 1X2 GALVANIZED NIPPLE | 22 | 25 |
| GALNIP1-1/4X2 | 1 1/4X2 GALVANIZED NIPPLE | 28 | 25 |
| GALNIP1-1/2X2 | 1 1/2X2 GALVANIZED NIPPLE | 34 | 25 |
| GALNIP1/2X2-1/2 | 1/2X2 1/2 GALVANIZED NIPPLE | 15 | 25 |
| GALNIP3/4X2-1/2 | 3/4X2 1/2 GALVANIZED NIPPLE | 19 | 25 |
| GALNIP1X2-1/2 | 1X2 1/2 GALVANIZED NIPPLE | 28 | 25 |
| GALNIP1-1/4X2-1/2 | 1 1/4X2 1/2 GALVANIZED NIPPLE | 37 | 25 |
| GALNIP1-1/2X2-1/2 | 1 1/2X2 1/2 GALVANIZED NIPPLE | 44 | 25 |
| GALNIP2X2-1/2 | 2X2 1/2 GALVANIZED NIPPLE | 59 | 25 |
| GALNIP1/2X3 | 1/2X3 GALVANIZED NIPPLE | 19 | 25 |
| GALNIP3/4X3 | 3/4X3 GALVANIZED NIPPLE | 24 | 25 |
| GALNIP1X3 | 1X3 GALVANIZED NIPPLE | 36 | 25 |
| GALNIP1-1/4X3 | 1 1/4X3 GALVANIZED NIPPLE | 47 | 25 |
| GALNIP1-1/2X3 | 1 1/2X3 GALVANIZED NIPPLE | 56 | 25 |
| GALNIP2X3 | 2X3 GALVANIZED NIPPLE | 72 | 25 |
| GALNIP2-1/2X3 | 2 1/2X3 GALVANIZED NIPPLE | 100 | 10 |
| GALNIP3X3 | 3X3 GALVANIZED NIPPLE | 130 | 10 |
| GALNIP1/2X3-1/2 | 1/2X3 1/2 GALVANIZED NIPPLE | 22 | 25 |
| GALNIP3/4X3-1/2 | 3/4X3 1/2 GALVANIZED NIPPLE | 28 | 25 |
| GALNIP1X3-1/2 | 1X3 1/2 GALVANIZED NIPPLE | 43 | 25 |
| GALNIP1-1/4X3-1/2 | 1 1/4X3 1/2 GALVANIZED NIPPLE | 55 | 25 |
| GALNIP1-1/2X3-1/2 | 1 1/2X3 1/2 GALVANIZED NIPPLE | 68 | 25 |
| GALNIP2X3-1/2 | 2X3 1/2 GALVANIZED NIPPLE | 88 | 25 |
| GALNIP2-1/2X3-1/2 | 2 1/2X3 1/2 GALVANIZED NIPPLE | 120 | 10 |
| GALNIP3X3-1/2 | 3X3 1/2 GALVANIZED NIPPLE | 157 | 10 |

Continued next page

RIGID CONDUIT NIPPLES

RIGID CONDUIT NIPPLES • TYPE - RIGID STEEL AND ALUMINUM



**STANDARD NPT TAPERED PIPE THREADS
AS PER ANSI/ASME B1.20.1 SPECIFICATION.**

Material - Rigid Steel Conduit - (UL6)
Aluminum Conduit - (UL6A)

Applicable Specification:
Underwriters Laboratories - UL 6 for Rigid
UL 6A for Aluminum

| Pipe Size (in.) | Pipe O.D. (in.) | Length Close (in.) | Pipe Nipple Lengths | | | | | | | | | | | | | | | |
|-----------------|-----------------|--------------------|---------------------|---|-------|---|-------|---|-------|---|-------|---|---|---|---|----|----|----|
| | | | 1 1/2 | 2 | 2 1/2 | 3 | 3 1/2 | 4 | 4 1/2 | 5 | 5 1/2 | 6 | 7 | 8 | 9 | 10 | 11 | 12 |
| 1/2 | 0.84 | 1 1/8 | 1 1/2 | 2 | 2 1/2 | 3 | 3 1/2 | 4 | 4 1/2 | 5 | 5 1/2 | 6 | 7 | 8 | 9 | 10 | 11 | 12 |
| 3/4 | 1.05 | 1 3/8 | 1 1/2 | 2 | 2 1/2 | 3 | 3 1/2 | 4 | 4 1/2 | 5 | 5 1/2 | 6 | 7 | 8 | 9 | 10 | 11 | 12 |
| 1 | 1.315 | 1 1/2 | | 2 | 2 1/2 | 3 | 3 1/2 | 4 | 4 1/2 | 5 | 5 1/2 | 6 | 7 | 8 | 9 | 10 | 11 | 12 |
| 1 1/4 | 1.66 | 1 5/8 | | 2 | 2 1/2 | 3 | 3 1/2 | 4 | 4 1/2 | 5 | 5 1/2 | 6 | 7 | 8 | 9 | 10 | 11 | 12 |
| 1 1/2 | 1.9 | 1 3/4 | | 2 | 2 1/2 | 3 | 3 1/2 | 4 | 4 1/2 | 5 | 5 1/2 | 6 | 7 | 8 | 9 | 10 | 11 | 12 |
| 2 | 2.375 | 2 | | | 2 1/2 | 3 | 3 1/2 | 4 | 4 1/2 | 5 | 5 1/2 | 6 | 7 | 8 | 9 | 10 | 11 | 12 |
| 2 1/2 | 2.875 | 2 1/2 | | | | 3 | 3 1/2 | 4 | 4 1/2 | 5 | 5 1/2 | 6 | 7 | 8 | 9 | 10 | 11 | 12 |
| 3 | 3.5 | 2 5/8 | | | | 3 | 3 1/2 | 4 | 4 1/2 | 5 | 5 1/2 | 6 | 7 | 8 | 9 | 10 | 11 | 12 |
| 3 1/2 | 4 | 2 3/4 | | | | | | 4 | 4 1/2 | 5 | 5 1/2 | 6 | 7 | 8 | 9 | 10 | 11 | 12 |
| 4 | 4.5 | 2 7/8 | | | | | | 4 | 4 1/2 | 5 | 5 1/2 | 6 | 7 | 8 | 9 | 10 | 11 | 12 |
| 5 | 5.563 | 3 | | | | | | | 4 1/2 | 5 | 5 1/2 | 6 | 7 | 8 | 9 | 10 | 11 | 12 |
| 6 | 6.625 | 3 1/8 | | | | | | | 4 1/2 | 5 | 5 1/2 | 6 | 7 | 8 | 9 | 10 | 11 | 12 |



GALVANIZED CONDUIT NIPPLES

UL Listed and Labeled

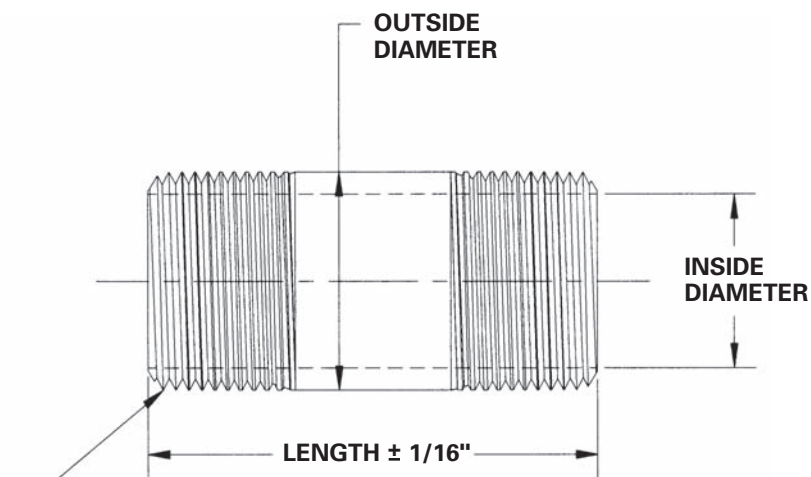
GALVANIZED CONDUIT NIPPLES

| CATALOG NUMBER | DESCRIPTION | WEIGHT PER 100 PIECES (lbs) | STANDARD CARTON |
|-------------------|-------------------------------------|-----------------------------|-----------------|
| GALNIP1/2XCL | 1/2X1 1/8 CLOSE GALVANIZED NIPPLE | 6 | 25 |
| GALNIP3/4XCL | 3/4X1 3/8 CLOSE GALVANIZED NIPPLE | 9 | 25 |
| GALNIP1XCL | 1X1 1/2 CLOSE GALVANIZED NIPPLE | 16 | 25 |
| GALNIP1-1/4XCL | 1 1/4X1 5/8 CLOSE GALVANIZED NIPPLE | 22 | 25 |
| GALNIP1-1/2XCL | 1 1/2X1 3/4 CLOSE GALVANIZED NIPPLE | 28 | 25 |
| GALNIP2XCL | 2X2 CLOSE GALVANIZED NIPPLE | 44 | 25 |
| GALNIP2-1/2XCL | 2 1/2X2 1/2 CLOSE GALVANIZED NIPPLE | 84 | 10 |
| GALNIP3XCL | 3X2 5/8 CLOSE GALVANIZED NIPPLE | 118 | 10 |
| GALNIP3-1/2XCL | 3 1/2X2 3/4 CLOSE GALVANIZED NIPPLE | 160 | 10 |
| GALNIP4XCL | 4X2 7/8 CLOSE GALVANIZED NIPPLE | 180 | 10 |
| GALNIP5XCL | 5X3 CLOSE GALVANIZED NIPPLE | 240 | BLK |
| GALNIP6XCL | 6X3 1/8 CLOSE GALVANIZED NIPPLE | 350 | BLK |
| GALNIP1/2X1-1/2 | 1/2X1 1/2 GALVANIZED NIPPLE | 8 | 25 |
| GALNIP3/4X1-1/2 | 3/4X1 1/2 GALVANIZED NIPPLE | 10 | 25 |
| GALNIP1/2X2 | 1/2X2 GALVANIZED NIPPLE | 12 | 25 |
| GALNIP3/4X2 | 3/4X2 GALVANIZED NIPPLE | 14 | 25 |
| GALNIP1X2 | 1X2 GALVANIZED NIPPLE | 22 | 25 |
| GALNIP1-1/4X2 | 1 1/4X2 GALVANIZED NIPPLE | 28 | 25 |
| GALNIP1-1/2X2 | 1 1/2X2 GALVANIZED NIPPLE | 34 | 25 |
| GALNIP1/2X2-1/2 | 1/2X2 1/2 GALVANIZED NIPPLE | 15 | 25 |
| GALNIP3/4X2-1/2 | 3/4X2 1/2 GALVANIZED NIPPLE | 19 | 25 |
| GALNIP1X2-1/2 | 1X2 1/2 GALVANIZED NIPPLE | 28 | 25 |
| GALNIP1-1/4X2-1/2 | 1 1/4X2 1/2 GALVANIZED NIPPLE | 37 | 25 |
| GALNIP1-1/2X2-1/2 | 1 1/2X2 1/2 GALVANIZED NIPPLE | 44 | 25 |
| GALNIP2X2-1/2 | 2X2 1/2 GALVANIZED NIPPLE | 59 | 25 |
| GALNIP1/2X3 | 1/2X3 GALVANIZED NIPPLE | 19 | 25 |
| GALNIP3/4X3 | 3/4X3 GALVANIZED NIPPLE | 24 | 25 |
| GALNIP1X3 | 1X3 GALVANIZED NIPPLE | 36 | 25 |
| GALNIP1-1/4X3 | 1 1/4X3 GALVANIZED NIPPLE | 47 | 25 |
| GALNIP1-1/2X3 | 1 1/2X3 GALVANIZED NIPPLE | 56 | 25 |
| GALNIP2X3 | 2X3 GALVANIZED NIPPLE | 72 | 25 |
| GALNIP2-1/2X3 | 2 1/2X3 GALVANIZED NIPPLE | 100 | 10 |
| GALNIP3X3 | 3X3 GALVANIZED NIPPLE | 130 | 10 |
| GALNIP1/2X3-1/2 | 1/2X3 1/2 GALVANIZED NIPPLE | 22 | 25 |
| GALNIP3/4X3-1/2 | 3/4X3 1/2 GALVANIZED NIPPLE | 28 | 25 |
| GALNIP1X3-1/2 | 1X3 1/2 GALVANIZED NIPPLE | 43 | 25 |
| GALNIP1-1/4X3-1/2 | 1 1/4X3 1/2 GALVANIZED NIPPLE | 55 | 25 |
| GALNIP1-1/2X3-1/2 | 1 1/2X3 1/2 GALVANIZED NIPPLE | 68 | 25 |
| GALNIP2X3-1/2 | 2X3 1/2 GALVANIZED NIPPLE | 88 | 25 |
| GALNIP2-1/2X3-1/2 | 2 1/2X3 1/2 GALVANIZED NIPPLE | 120 | 10 |
| GALNIP3X3-1/2 | 3X3 1/2 GALVANIZED NIPPLE | 157 | 10 |

Continued next page

RIGID CONDUIT NIPPLES

RIGID CONDUIT NIPPLES • TYPE - RIGID STEEL AND ALUMINUM



**STANDARD NPT TAPERED PIPE THREADS
AS PER ANSI/ASME B1.20.1 SPECIFICATION.**

Material - Rigid Steel Conduit - (UL6)
Aluminum Conduit - (UL6A)

Applicable Specification:
Underwriters Laboratories - UL 6 for Rigid
UL 6A for Aluminum

| Pipe Size (in.) | Pipe O.D. (in.) | Length Close (in.) | Pipe Nipple Lengths | | | | | | | | | | | | | | | |
|-----------------|-----------------|--------------------|---------------------|---|-------|---|-------|---|-------|---|-------|---|---|---|---|----|----|----|
| | | | 1 1/2 | 2 | 2 1/2 | 3 | 3 1/2 | 4 | 4 1/2 | 5 | 5 1/2 | 6 | 7 | 8 | 9 | 10 | 11 | 12 |
| 1/2 | 0.84 | 1 1/8 | 1 1/2 | 2 | 2 1/2 | 3 | 3 1/2 | 4 | 4 1/2 | 5 | 5 1/2 | 6 | 7 | 8 | 9 | 10 | 11 | 12 |
| 3/4 | 1.05 | 1 3/8 | 1 1/2 | 2 | 2 1/2 | 3 | 3 1/2 | 4 | 4 1/2 | 5 | 5 1/2 | 6 | 7 | 8 | 9 | 10 | 11 | 12 |
| 1 | 1.315 | 1 1/2 | | 2 | 2 1/2 | 3 | 3 1/2 | 4 | 4 1/2 | 5 | 5 1/2 | 6 | 7 | 8 | 9 | 10 | 11 | 12 |
| 1 1/4 | 1.66 | 1 5/8 | | 2 | 2 1/2 | 3 | 3 1/2 | 4 | 4 1/2 | 5 | 5 1/2 | 6 | 7 | 8 | 9 | 10 | 11 | 12 |
| 1 1/2 | 1.9 | 1 3/4 | | 2 | 2 1/2 | 3 | 3 1/2 | 4 | 4 1/2 | 5 | 5 1/2 | 6 | 7 | 8 | 9 | 10 | 11 | 12 |
| 2 | 2.375 | 2 | | | 2 1/2 | 3 | 3 1/2 | 4 | 4 1/2 | 5 | 5 1/2 | 6 | 7 | 8 | 9 | 10 | 11 | 12 |
| 2 1/2 | 2.875 | 2 1/2 | | | | 3 | 3 1/2 | 4 | 4 1/2 | 5 | 5 1/2 | 6 | 7 | 8 | 9 | 10 | 11 | 12 |
| 3 | 3.5 | 2 5/8 | | | | 3 | 3 1/2 | 4 | 4 1/2 | 5 | 5 1/2 | 6 | 7 | 8 | 9 | 10 | 11 | 12 |
| 3 1/2 | 4 | 2 3/4 | | | | | | 4 | 4 1/2 | 5 | 5 1/2 | 6 | 7 | 8 | 9 | 10 | 11 | 12 |
| 4 | 4.5 | 2 7/8 | | | | | | 4 | 4 1/2 | 5 | 5 1/2 | 6 | 7 | 8 | 9 | 10 | 11 | 12 |
| 5 | 5.563 | 3 | | | | | | | 4 1/2 | 5 | 5 1/2 | 6 | 7 | 8 | 9 | 10 | 11 | 12 |
| 6 | 6.625 | 3 1/8 | | | | | | | 4 1/2 | 5 | 5 1/2 | 6 | 7 | 8 | 9 | 10 | 11 | 12 |