

# INSTALLATION INSTRUCTIONS

## LUMARK

### ENTERPRISE LUMINAIRE SERIES

PRODUCT: ENTERPRISE  
IMI-210

MERCURY VAPOR, METAL HALIDE AND HIGH PRESSURE SODIUM

**IMPORTANT: READ CAREFULLY BEFORE INSTALLING FIXTURE. RETAIN FOR FUTURE REF.**

GENERAL: UPON RECEIPT OF FIXTURE AND REFLECTOR (PACKED SEPARATELY), THOROUGHLY INSPECT FOR ANY FREIGHT DAMAGE, WHICH SHOULD BE BROUGHT TO THE ATTENTION OF THE DELIVERING CARRIER. COMPARE THE CATALOG DESCRIPTION LISTED ON THE PACKING SLIP WITH THE FIXTURE LABEL ON THE HOUSING TO ASSURE YOU HAVE RECEIVED THE CORRECT MERCHANDISE.

SAFETY: THIS FIXTURE MUST BE WIRED IN ACCORDANCE WITH THE NATIONAL ELECTRICAL CODE AND APPLICABLE LOCAL CODES AND ORDINANCES. PROPER GROUNDING IS REQUIRED TO INSURE PERSONAL SAFETY. CAREFULLY OBSERVE GROUNDING PROCEDURE UNDER INSTALLATION SECTION. ALL WORK SHOULD BE DONE BY A QUALIFIED ELECTRICIAN. THESE FIXTURES MUST BE PROVIDED WITH A GROUNDING CONDUCTOR OF RIGID METAL CONDUIT OR OTHER GROUNDING DEVICES.

**WARNING: Make certain power is OFF before starting installation or attempting any maintenance.**

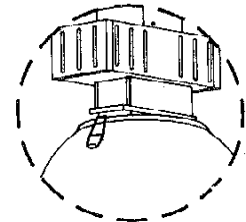
**INSTALLING BALLAST HOUSING:** ALL LUMARK FIXTURES ARE DESIGNED TO MOUNT EASILY WITH A SLIDE-ON MOUNTING BOX WHICH IS SHIPPED ATTACHED TO FIXTURE. REMOVE COVER PLATE AND SLIDE MOUNTING BOX FROM FIXTURE. THREAD BOX ONTO 3/4" CONDUIT OR OTHER APPROVED SUPPORTING MEANS. SLIDE FIXTURE ONTO BOX.

CONNECT PROPER SUPPLY VOLTAGE LEAD TO FIXTURE VOLTAGE LEAD, MARKED WITH VOLTAGE MARKER. CONNECT NEUTRAL SUPPLY LEAD TO FIXTURE LEAD MARKED (COM). CONNECT GREEN WIRE TO SUITABLE GROUNDING. USE WIRE NUT OR OTHER APPROVED CONNECTOR FOR ALL ELECTRICAL CONNECTIONS.

FOR MULTIPLE VOLTAGE FIXTURES, FIRST DETERMINE CORRECT LINE VOLTAGE. THEN SELECT THE PROPER FIXTURE VOLTAGE LEAD, REMOVE CRIMPED CAP AND CONNECT TO SUPPLY VOLTAGE LEAD. DO NOT REMOVE CONNECTORS FROM WIRES NOT USED. THE FIXTURE LEAD MARKED (COM) SHOULD THEN BE CONNECTED TO THE NEUTRAL SUPPLY LEAD. TO WIRE FIXTURES ON BRANCH CIRCUITS NOT HAVING A NEUTRAL LEAD SUCH AS 480 VOLT, CONNECT ONE OF THE SUPPLY LEADS TO THE FIXTURE VOLTAGE LEAD AND THE OTHER SUPPLY LEAD TO THE FIXTURE LEAD MARKED (COM). CONNECT GREEN WIRE TO SUITABLE GROUNDING. USE WIRE NUT OR OTHER APPROVED CONNECTOR FOR ALL ELECTRICAL CONNECTIONS.

**WARNING:** RECHECK TO BE SURE THAT THE PROPER FIXTURE VOLTAGE LEAD HAS BEEN SELECTED TO MATCH THE SUPPLY VOLTAGE. IMPROPER WIRING MAY RESULT IN BALLAST FAILURE WHICH VOIDS ALL WARRANTIES. FOLD LEADS AND GROUND WIRES INTO MOUNTING BOX. REPLACE COVER PLATE, TIGHTEN COVER PLATE SCREWS. CHECK ALL SCREWS IN MOUNTING BOX FOR TIGHTNESS. ORIENT FIXTURE AS DESIRED. TIGHTEN SAFETY SET SCREW IN TOP OF MOUNTING BOX BESIDE CONDUIT ENTRY TO PREVENT ACCIDENTAL ROTATION.

**CAUTION:** PRIOR TO INSTALLING LAMP IN THE FIXTURE, CHECK THAT THE LAMP IS OF THE PROPER TYPE AND WATTAGE. SCREW LAMP SECURELY INTO SOCKET, BACK LAMP OUT ONE OR TWO TURNS, THEN SCREW LAMP BACK IN AGAIN MAKING SURE IT IS SECURE. THIS WILL PROPERLY SET THE LAMP IN THE SOCKET CONTACTS. OBSERVE LAMP MANUFACTURER'S RECOMMENDATIONS AND RESTRICTIONS ON LAMP OPERATION, PARTICULARLY BALLAST TYPE BURNING POSITIONS, ETC..

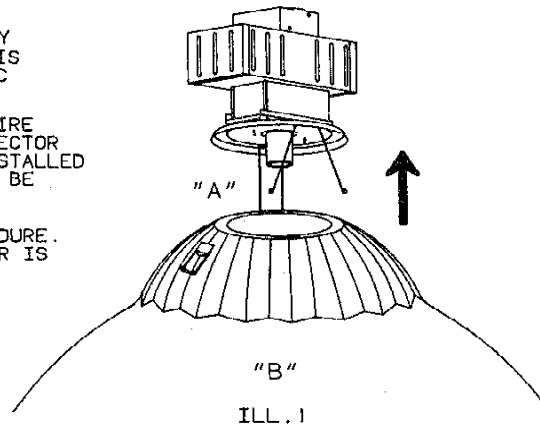


ENGAGE SAFETY LATCHES  
ILL. 2

**INSTALLING REFLECTOR:** BALLAST ASSEMBLY SHOULD BE INSTALLED BEFORE REFLECTOR ASSEMBLY IS ATTACHED. APPLYING WEIGHT OF FIXTURE TO PLASTIC LENS COULD RESULT IN DAMAGE TO LUMINAIRE.

TO INSTALL REFLECTOR ASSEMBLY, INSERT SPRING WIRE INTERNAL HOLDERS "A" INTO SLOTS IN TOP OF REFLECTOR ASSEMBLY "B" ILL. 1. AFTER BOTH SPRINGS ARE INSTALLED SLIDE REFLECTOR ASSEMBLY UP AS SHOWN IN ILL. 2. BE SURE TO ENGAGE BOTH SAFETY LATCHES.

TO REMOVE REFLECTOR ASSEMBLY REVERSE THE PROCEDURE. LAMP MAY BE INSTALLED BEFORE OR AFTER REFLECTOR IS IN PLACE.



ILL. 1



COOPER HID  
LIGHTING

THESE INSTRUCTIONS DO NOT CLAIM TO COVER ALL DETAILS OR VARIATIONS IN THE EQUIPMENT, PROCEDURE, OR PROCESS DESCRIBED, NOR TO PROVIDE DIRECTIONS FOR MEETING EVERY POSSIBLE CONTINGENCY DURING INSTALLATION, OPERATION OR MAINTENANCE. WHEN ADDITIONAL INFORMATION IS DESIRED TO SATISFY A PROBLEM NOT COVERED SUFFICIENTLY FOR USER'S PURPOSE, PLEASE CONTACT YOUR NEAREST REPRESENTATIVE.

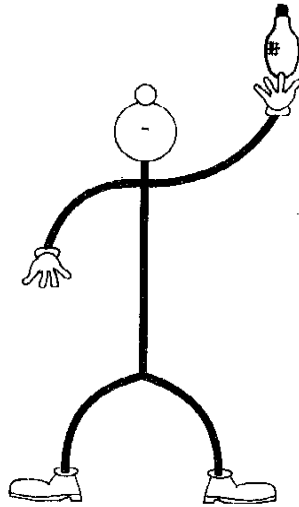
**MAINTENANCE AND CLEANING:** YOUR LUMARK FIXTURE IS DESIGNED FOR YEARS OF TROUBLE-FREE OPERATION. TO MAINTAIN OPTIMUM PERFORMANCE, THE REFLECTOR SHOULD PERIODICALLY BE CLEANED WITH ANY MILD, NON-ABRASIVE HOUSEHOLD CLEANER.

**CAUTION:** DO NOT PERFORM MAINTENANCE OR CLEANING WHILE FIXTURE IS ENERGIZED.

## FOR PERFECT LIGHT SCREW THE LAMP IN TIGHT



THERE IS A RIGHT WAY.



DON'T BE CHICKEN.  
IT AIN'T NO EGG!



YOU'RE RIGHT IF  
IT'S TIGHT

**LAMP TIGHTNESS:** THE LAMP SHOULD BE SECURELY INSERTED TO THE NEMA-EEI SPECIFIED TORQUE OF 35 INCH-POUNDS, WHICH IS BEST ACHIEVED BY VERY FIRMLY TIGHTENING TO INSURE APPLICATION OF SUFFICIENT TORQUE. TIGHTENING MUST BE ADEQUATE TO FULLY DEPRESS AND LOAD THE CENTER CONTACT OF THE SOCKET.

**SAFETY CHAIN OPTION:** SAFETY CHAINS MAY BE ATTACHED TO THE LUMINAIRE WHEN THE USER FEELS SAFETY CHAINS SHOULD BE USED. SAFETY CHAINS SHOULD BE ATTACHED IN A MANNER TO GIVE MINIMUM SLACK. IN NO CASE SHOULD THE LUMINAIRE SAFETY CHAIN BE INSTALLED IN A MANNER WHICH PERMITS THE LUMINAIRE TO FALL MORE THAN SIX INCHES BEFORE IT IS CAUGHT BY THE CHAIN. WHEN CONNECTING THE SAFETY CHAIN, INSERT "S" HOOK IN DESIRED LINK OF CHAIN AND SQUEEZE SHUT. SAFETY CHAINS ARE AVAILABLE FROM THE FACTORY AS AN OPTIONAL ACCESSORY.

### TROUBLE SHOOTING

IN THE EVENT THAT YOUR FIXTURE FAILS TO OPERATE PROPERLY FIRST CHECK THAT:

1. THE PROPER LAMP IS INSTALLED.
2. THE LAMP IS NOT FAULTY.
3. THE LINE VOLTAGE "AT THE FIXTURE" IS PROPER.
4. THE FIXTURE IS WIRED PROPERLY.
5. THE FIXTURE IS GROUNDED PROPERLY.

IF ALL OF THE ABOVE HAVE BEEN CHECKED AND YOUR FIXTURE STILL DOES NOT OPERATE PROPERLY, CONTACT YOUR LOCAL LUMARK DISTRIBUTOR OR REPRESENTATIVE.